

6

5

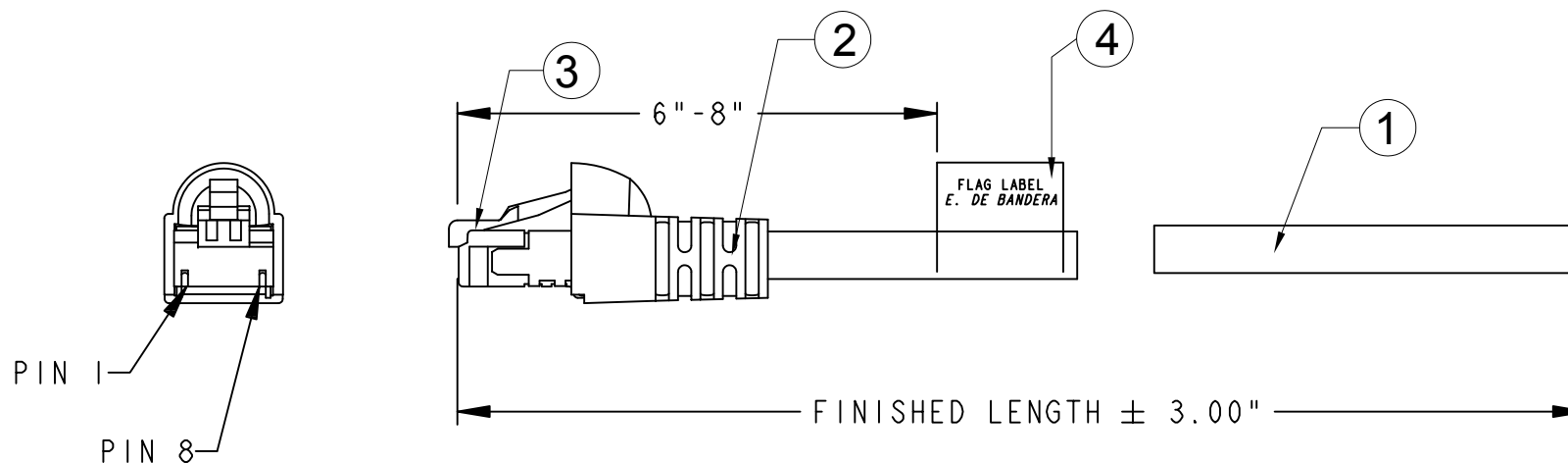
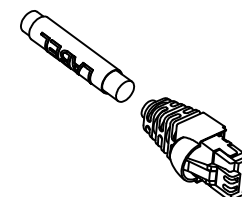
4

3

2

1

PART NUMBER	ENGINEERING NO.	LENGTH ± TOLERANCE
1300500105	ENP1305M010	3' 3" +2.19"/-0" [ 1M +55.6/-0 mm ]



## NOTES:

- 1) MATERIAL: SEE TABLE
- 2) FINISHES: SEE TABLE
- 3) CABLE: #26/8 SHIELDED TWISTED PAIR, PUR
- 4) ELECTRICAL DATA:  
ACCORDING TO CAT5e ETHERNET STANDARD  
MAX. VOLTAGE: 30V  
MAX. CURRENT 1.5A
- 5) ENVIRONMENTAL:  
PROTECTION IP67  
TEMPERATURE RANGE: -20°C TO +80°C
- 6) WRAP LABEL IS MARKED WITH P/N & DATE CODE.
- 7) ASSEMBLY IS RoHS COMPLIANT.

## WIRE LIST

PIN #	COLOR
1	WHITE/BLUE
2	BLUE
3	WHITE/ORANGE
4	NOT USED
5	NOT USED
6	ORANGE
7	NOT USED
8	NOT USED
GND	DRAIN WIRE

ITEM	QTY.	DESCRIPTION	MATERIAL	FINISH
4	1	LABEL	PLASTIC FILM	BLACK/YELLOW
3	1	RJ45 PLUG	POLYCARBONATE	CLEAR
2	1	BOOT	PVC	BLACK
1	1	ETHERNET CABLE-CAT5E	PUR JACKET	BLACK

RELEASE DRAWING	EC NO: WNA2010-0432	QUALITY SYMBOLS ▽=0 ▽C=0
	DRWN: TVICKERS 2010/01/14	
	CHKD: B.WOODMA	
	APPR: DTITUS 2010/01/15	
A	REV	

GENERAL TOLERANCES (UNLESS SPECIFIED)		
	mm	INCH
4 PLACES	±---	±---
3 PLACES	±---	±.005
2 PLACES	±0.13	±.010
1 PLACE	±0.25	±.020
ANGULAR ±1/2°		
<b>DRAFT WHERE APPLICABLE MUST REMAIN WITHIN DIMENSIONS</b>		

DIMENSION STYLE		SCALE	DESIGN UNITS	THIRD ANGLE PROJECTION
IN		1:1	INCH	
DRAWN BY	DATE	TITLE		
---	---	<b>ETHERNET MP RJ45 I O BASE T SHIELD ASSEM PROPLEX STRANDED CABLE</b>		
CHECKED BY	DATE			
B.WOODMA	2010/01/14	<b>MOLEX INCORPORATED</b>		
APPROVED BY	DATE			
DTITUS	2010/01/15	MATERIAL NO.	DOCUMENT NO.	SHEET NO.
		1300500105	SD-130050-013	1 OF 1
SIZE	THIS DRAWING CONTAINS INFORMATION THAT IS PROPRIETARY TO MOLEX INCORPORATED AND SHOULD NOT BE USED WITHOUT WRITTEN PERMISSION			
A				

6

5

4

3

2

1