

PART NO.	ENGINEERING NO.	FINISHED LENGTH
1201080009	E66A06002M005	0.5M [1FT 8IN]
1201080008	E66A06002M010	1.0M [3FT 3IN]
1201080007	E66A06002M020	2.0M [6FT 7IN]
1201080004	E66A06002M050	5.0M [16FT 5IN]
1300480034	E66A06002M100	10.0M [32FT 10IN]

PART NUMBER LEGEND

E66A06002M010

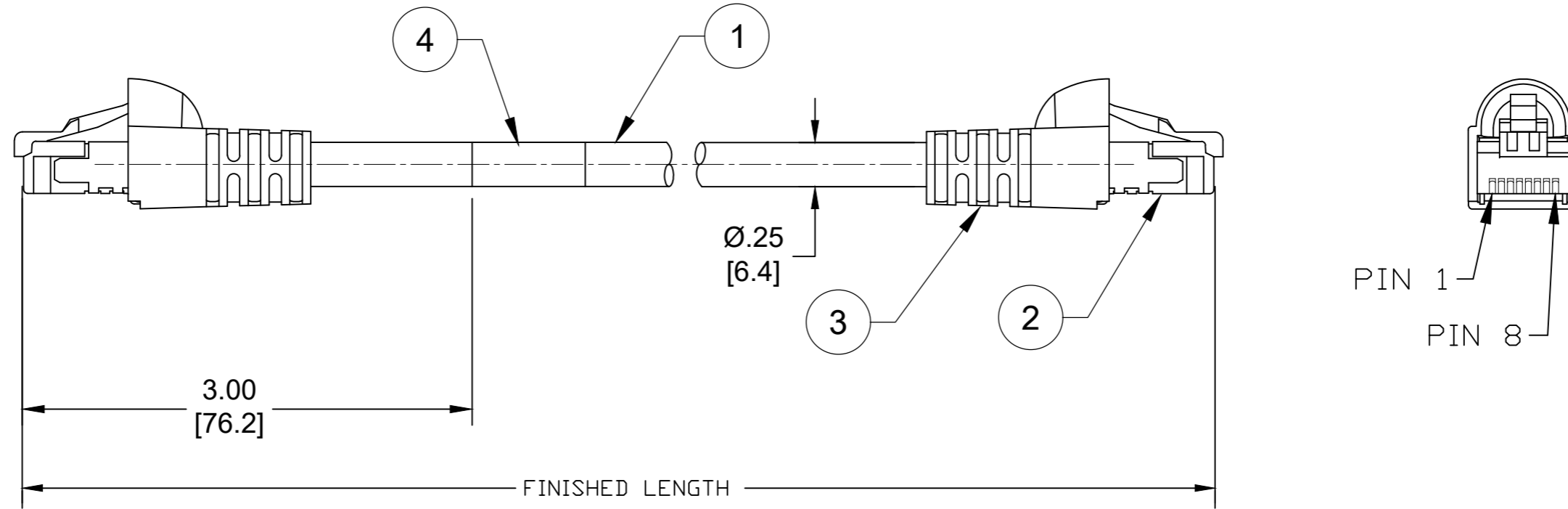
FINISHED LENGTH:

M005= 0.5 METER

M010= 1.0 METER

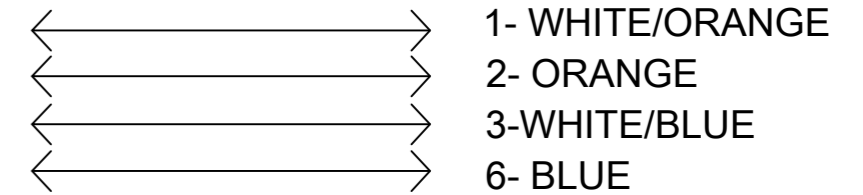
M100= 10.0 METERS

CABLE LENGTH TOLERANCES	
>.3M [1FT]:	+19mm-0 [+ .75in-0]
.3 - .9M [1 - 3FT]:	+44.5mm-0 [+1.75in-0]
.9 - 1.8M [3 - 6FT]:	+55.6mm-0 [+2.19in-0]
1.8 - 3.7M [6 - 12FT]:	+88.9mm-0 [+3.50in-0]
3.7 - 7.3M [12 - 24FT]:	+165.1mm-0 [+6.50in-0]
7.3-14.6M [24 - 48FT]:	+317.5mm-0 [+12.50in-0]
14.6 - 30.5M [48-100FT]:	+622.3mm-0 [+24.50in-0]
OVER 30M [100FT]:	+2% OF FINISHED LENGTH



NOTES:

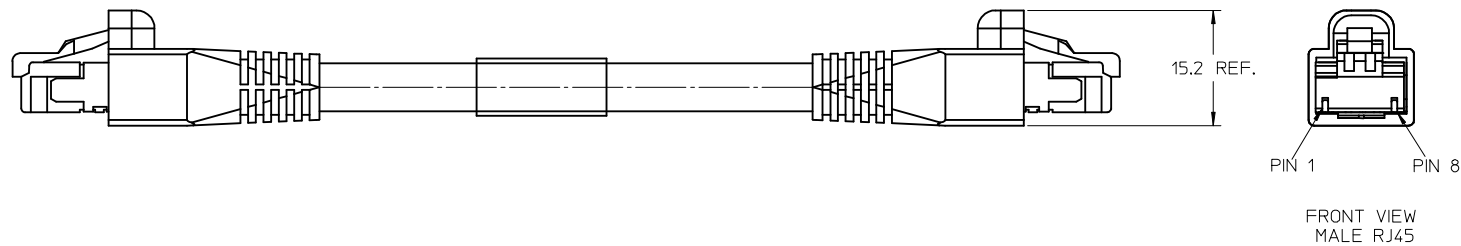
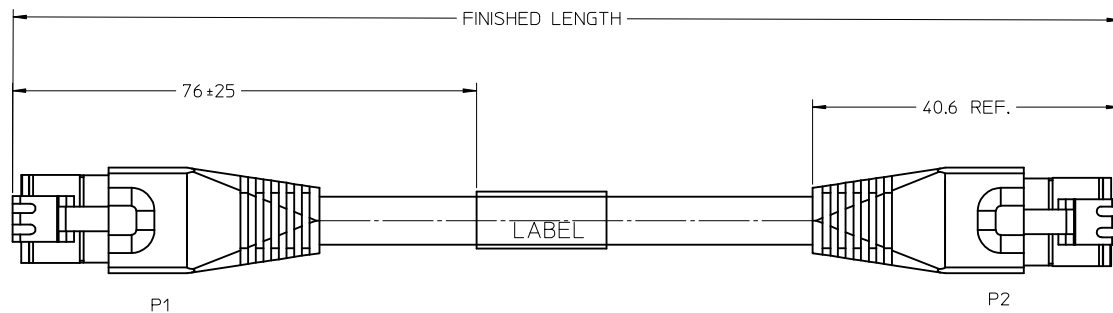
1. MATERIAL: AS NOTED
2. FINISH: AS NOTED
3. ELECTRICAL:
VOLTAGE: 125V DC
CURRENT: 1.5A
4. ALL DIMS ARE FOR REFERENCE UNLESS TOLERANCED OR NOTED OTHERWISE



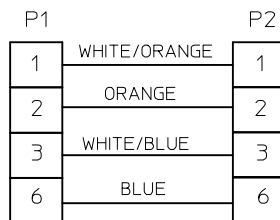
ITEM	DESCRIPTION	MATERIAL	FINISH
4	WRAP LABEL	VINYL	BLACK/WHITE
3	RJ45 BOOT (HOODED)	PVC	BLACK
2	RJ45 PLUG	PC/CU ALLOY	CLEAR/GOLD PLATED CONTACTS
1	CABLE, 2 PAIR, 24AWG	PVC JACKET	TEAL

(A1)

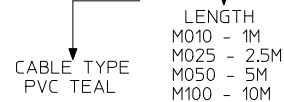
FUNCTIONAL SYMBOLS		THIS DRAWING CONTAINS INFORMATION THAT IS PROPRIETARY TO MOLEX ELECTRONIC TECHNOLOGIES, LLC AND SHOULD NOT BE USED WITHOUT WRITTEN PERMISSION		CURRENT REV DESC: LABEL COLOR WAS YELLOW		molex	
$F_A=0$	INCH/MM	SCALE	1:1	EC NO: 694191		ETHERNET CABLE RJ45 TO RJ45	
$F_C=0$	GENERAL TOLERANCES (UNLESS SPECIFIED)			DRWN: RSTONE 2022/02/01		---	
$F_P=0$		mm	INCH	CHK'D: CCHRSTKA 2022/02/02		---	
	4 PLACES	±----	±----	APPR: BWOODMAN 2022/02/04		PRODUCT CUSTOMER DRAWING	
	3 PLACES	±----	±----	INITIAL REVISION:		DOCUMENT NUMBER	
	2 PLACES	±----	±----	DRWN: RSTONE 2020/08/17		1201080004	
	1 PLACE	±----	±----	APPR: BWOODMAN 2020/08/27		PSD 000 A1	
	0 PLACES	±----	±----	ANGULAR TOL ± ---- °		MATERIAL NUMBER	
	DRAFT WHERE APPLICABLE MUST REMAIN WITHIN DIMENSIONS		THIRD ANGLE PROJECTION	DRAWING	SERIES	CUSTOMER	SHEET NUMBER
				B-SIZE	120108	---	1 OF 1



WIRE DIAGRAM



E66A06002M010



- NOTES:
- MECHANICAL
 - RJ45
 - PLUG: CLEAR POLYCARBONATE
 - BOOT: BLACK PVC
 - CABLE: 24AWG 2 PAIR CONDUCTORS TEAL PVC JACKET
 - WRAP LABEL: MARKED WITH P/N, DATE CODE, VOLTAGE & AMPERAGE
 - ELECTRICAL:
 - ACCORDING TO CAT5e
 - VOLTAGE RATING 30V AC/DC
 - AMPERAGE: 1.5A

RELEASED EC NO: JGZ016-1031 DRAWN: GGUSTAFSON 2016/01/22 CHKD: MZIEL INSKI 2016/02/19 APPR: BWOODMAN 2016/02/24	DESCRIPTION REV: A	QUALITY SYMBOLS ▽=0 ▽=0	GENERAL TOLERANCES (UNLESS SPECIFIED)		DIMENSION STYLE MM ONLY		SCALE 2:1	DESIGN UNITS METRIC	THIRD ANGLE PROJECTION		
				4 PLACES ± --- ± --- 3 PLACES ± --- ± --- 2 PLACES ± 0.13 ± --- 1 PLACE ± 0.25 ± --- 0 PLACE ± --- ± ---	mm INCH ± --- ± --- ± 0.13 ± --- ± 0.25 ± --- ± --- ± ---	DRAWN BY GGUSTAFSON	DATE 2016/01/22	TITLE ENET RJ45/RJ45 2PR MALE/MALE #24AWG TEAL PVC			
				ANGULAR ± .5 °		CHECKED BY MZIEL INSKI	DATE 2016/02/19	molex			
				DRAFT WHERE APPLICABLE MUST REMAIN WITHIN DIMENSIONS		APPROVED BY BWOODMAN	DATE 2016/02/24	MATERIAL NO. -----	DOCUMENT NO. SD-120108-094	SHEET NO. 1 OF 1	