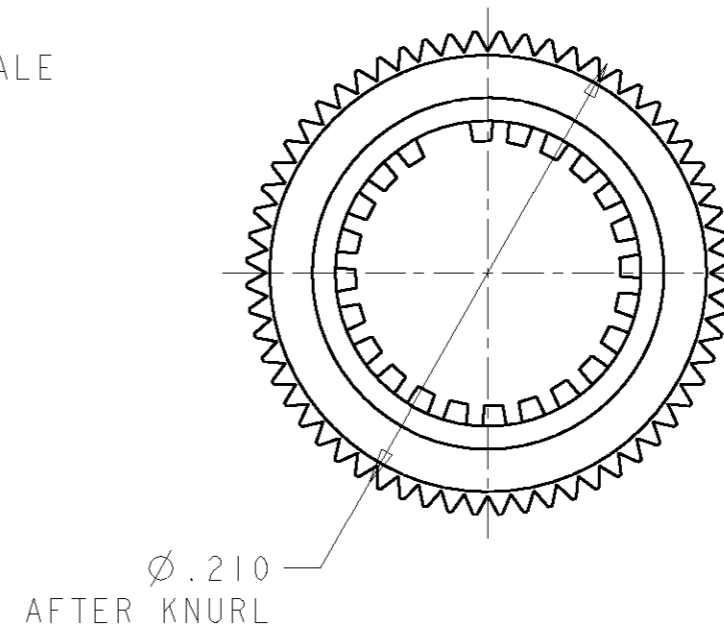
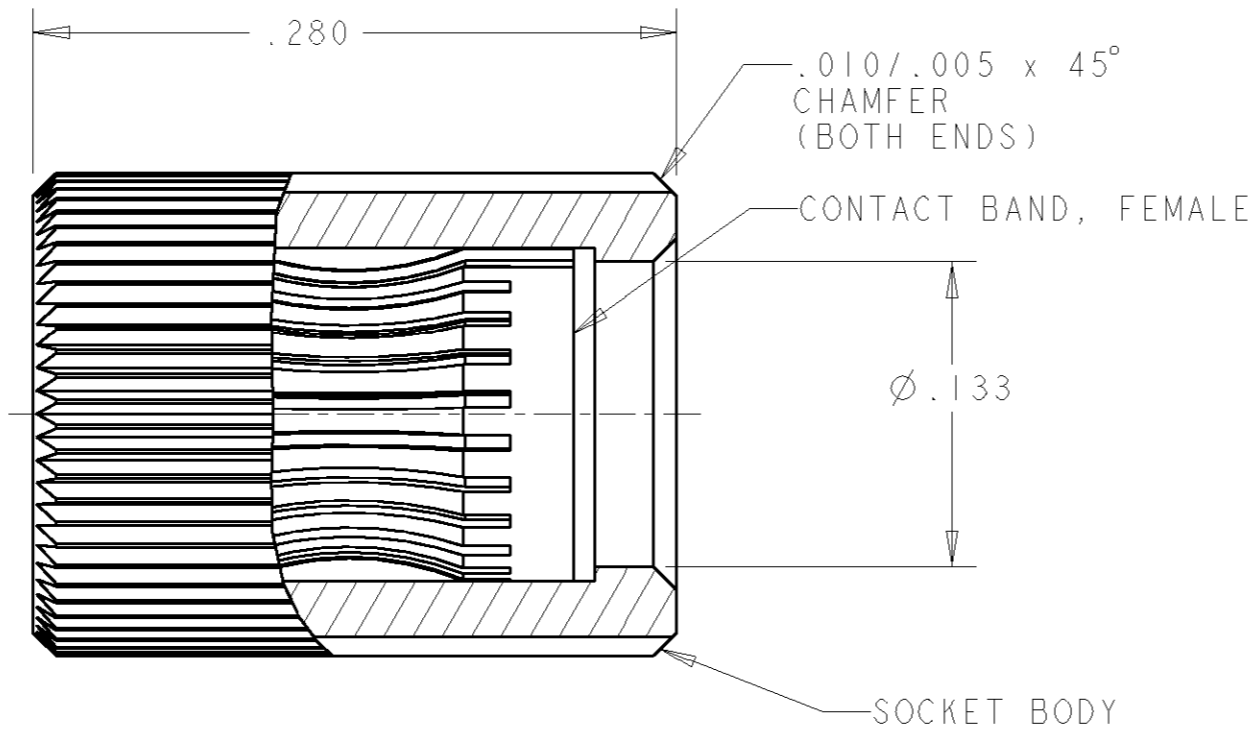


THIS DRAWING IS UNPUBLISHED. RELEASED FOR PUBLICATION 20  
 © COPYRIGHT 20 BY TYCO ELECTRONICS CORPORATION. ALL RIGHTS RESERVED.

LOC	DIST	REVISIONS			
P	LTR	DESCRIPTION	DATE	DWN	APVD
GP	00	A	RELEASED	11JAN2007	RG SF



1. PART NUMBER CHANGES AND/OR DESIGN CHANGES AFFECTING ITEM INTERCHANGEABILITY REQUIRES PRIOR TYCO APPROVAL AND AUTHORIZATION BY REVISION TO THIS DRAWING.

2. RECOMMENDED BUS BAR HOLE  $\phi .205 \pm .001$ .

3 MATERIAL:  
 SOCKET BODY - BRASS  
 CONTACT BAND - BERYLLIUM COPPER

4 FINISH:  
 SOCKET BODY - SILVER PLATE .000200 MIN THK. OVER NICKEL .000050 MIN THK.  
 CONTACT BAND - SILVER PLATE .000200 MIN THK. OVER NICKEL .000040 MIN THK.

5. ITEMS PROVIDED TO THIS SPECIFICATION SHALL BE IDENTIFIED ON THE PACKAGE AS FOLLOWS: MFG IDENTIFICATION AND PART NUMBER

6. MATES WITH A  $\phi .125$ " PIN.

AS SHOWN	1926360-1
DESCRIPTION	PART NUMBER

<small>THIS DRAWING IS A CONTROLLED DOCUMENT FOR TYCO ELECTRONICS CORPORATION. IT IS SUBJECT TO CHANGE AND THE CONTROLLING ENGINEERING ORGANIZATION SHOULD BE CONTACTED FOR THE LATEST REVISION.</small>		DWN R. GRZYBOWSKI 11JAN2007	Tyco Electronics Harrisburg, PA 17105-3608	NAME SOCKET ASSEMBLY, SPECIAL, PRESS FIT FOR NO. 10 CROWN CPU BUS				
DIMENSIONS: INCHES		CHK S. FLICKINGER 11JAN2007						
		APVD S. FLICKINGER 11JAN2007						
TOLERANCES UNLESS OTHERWISE SPECIFIED: 0 PLC $\pm$ - 1 PLC $\pm$ - 2 PLC $\pm .010$ 3 PLC $\pm .005$ 4 PLC $\pm$ - ANGLES $\pm$ -		PRODUCT SPEC -	SIZE A3	CAGE CODE 00779	DRAWING NO C-1926360	RESTRICTED TO -		
MATERIAL 		FINISH 	APPLICATION SPEC -	WEIGHT -	SCALE 10:1	SHEET 1	OF 1	REV A
CUSTOMER DRAWING								