

TPA2015D1 Audio Power Amplifier Evaluation Module (EVM)

Contents

1	Introduction	1
	1.1 Description	1
	1.2 TPA2015D1 Specifications	1
2	Operation	2
	2.1 Quick Start List for Stand-Alone Operation	2
	2.2 Boost Settings	3
	2.3 Power Up	4
3	Reference	5
	3.1 TPA2015D1 EVM Schematic	5
	3.2 TPA2015D1 EVM PCB Layers	6
	3.3 TPA2015D1 EVM Parts List	7

List of Figures

1	TPA2015D1 EVM Schematic.....	5
2	TPA2015D1 EVM – Top and Bottom Layers.....	6

List of Tables

1	TPA2015D1 EVM Parts List	7
---	--------------------------------	---

1 Introduction

This section provides an overview of the Texas Instruments (TI) TPA2015D1 audio power amplifier evaluation module (EVM). It includes a brief description of the module and a list of specifications.

1.1 Description

The TPA2015D1 is a high efficiency Class-D audio power amplifier with battery-tracking SpeakerGuard™ technology and an integrated boost converter. It drives up to 2 W into an 8-Ω speaker from low supply voltages.

The TPA2015D1 audio power amplifier evaluation module is a complete, stand-alone audio board. It contains the TPA2015D1 WCSP (YZH) Class-D audio power amplifier with an integrated boost converter. All components and the evaluation module are Pb-Free.

1.2 TPA2015D1 Specifications

V_{BAT}	Supply voltage range	2.3 V to 5.2 V
I_{DD}	Supply current	3 A Maximum
P_O	Continuous output power per channel, 8 Ω, $V_{BAT} = 3.6$ V	2 W
V_I	Audio Input Voltage	0 V to V_{BAT}
R_L	Minimum load impedance	6 Ω

SpeakerGuard is a trademark of Texas Instruments.

2 Operation

This section describes how to operate the TPA2015D1EVM.

2.1 Quick Start List for Stand-Alone Operation

Use the following steps when operating the TPA2015D1EVM as a stand-alone or when connecting the EVM into existing circuits or equipment.

2.1.1 Power and Ground

1. Ensure the external power sources are set to OFF.
2. Set the power supply voltage between 2.3 V and 5.2 V. When connecting the power supply to the EVM, make sure to attach the ground connection to the GND connector first and then connect the positive supply to the VDD connector. Verify that the connections are made to the correct banana jacks.

2.1.2 Audio

1. Ensure that the audio source is set to the minimum level.
2. Connect the audio source to the input RCA jack IN. In case of differential audio input ensure that the jumper JP SE is not inserted. In case of a single-ended audio input ensure that the jumper JP SE is inserted, thereby grounding IN+ through the input capacitor C2.
3. Connect speakers (8 Ω to 32 Ω) to the output banana jacks OUT+ and OUT-.
4. **JP OUT** allows the user to connect one the outputs through an RC filter. Note that the user must provide the necessary resistors, R7 and R8.
5. The unfiltered output of the TPA2015D1 can be measured between test points **TP OUT-** and **TP OUT+**

2.1.3 AGC Control

The TPA2015D1 has four selectable inflection point settings: 3.35 V, 3.55 V, 3.75 V, and disabled.

1. Use jumper **AGC** shunted between pins 1 and 2 to select the 3.35 V inflection point (AGC1).
2. Use jumper **AGC** shunted between pins 3 and 4 to select the 3.55 V inflection point (AGC2).
3. Use jumper **AGC** shunted between pins 5 and 6 to select the 3.75 V inflection point (AGC3).
4. Remove the jumper **AGC** to disable the inflection point (battery track) feature. Note that the AGC still works at a limiter level of 6.15 V.

2.1.4 Gain Control

The TPA2015D1 has three gain settings: 6 dB, 15.5 dB, and 20 dB.

1. Use jumper **GAIN** to set the gain as 6 dB, 15.5 dB or 20 dB. To achieve 6 dB, place the jumper between heads 1 and 2; for 20 dB, shunt heads 2 and 3; for 15.5 dB, remove the jumper and let the gain pin float.

2.1.5 Shutdown Controls

1. The TPA2015D1 provides independent shutdown controls for the Class-D amplifier and the boost converter. Pins ENB and END enable the boost converter and Class-D amplifier, respectively. They are active high. Press and hold pushbutton **S1** to place the boost converter in shutdown. Release pushbutton **S1** to activate the boost converter. If END = HIGH, the boost converter only turns on if an audio signal ($> 1 V_{PEAK}$) is present at one of the inputs (IN+ or IN-).
2. Press and hold pushbutton **S2** to shutdown the Class-D amplifier. Release pushbutton **S2** to activate the Class-D amplifier.

NOTE: The boost converter provides power to the Class-D amplifier. When the boost converter is shut down, the bypass mode will be active and the class-D amplifier will be supplied by the connected external voltage source.

The TPA2015D1 has an auto pass through mode. Under normal operation (END = ENB = HIGH), the boost converter will automatically turn off if no audio signal is present at one of the inputs (IN+ or IN-).

2.2 Boost Settings

The default voltage for the boost converter is 5.5 V and can not be changed. If no audio signal is present, the boost converter is automatically disabled. Once the audio signal is present at IN+ and IN-, the boost converter enables automatically.

2.2.1 Boost Terms

The following is a list of terms and definitions:

C_{MIN}	Minimum boost capacitance required for a given ripple voltage on PVOOUT (PVDD).
L	Boost inductor
f_{boost}	Switching frequency of the boost converter.
I_{PVDD}	Current pulled by the Class-D amplifier from the boost converter.
I_{PVDD}	Current pulled by the Class-D amplifier from the boost converter.
I_L	Current through the boost inductor.
PVDD (PVOOUT)	Supply voltage for the Class-D amplifier. (Voltage generated by the boost converter output)
VBAT (VDD)	Supply voltage to the TPA2015D1. (Supply voltage to the EVM).
ΔI_L	Ripple current through the inductor.
ΔV	Ripple voltage on PVOOUT (PVDD) due to capacitance.

2.2.2 Changing the Boost Inductor

Working inductance decreases as inductor current increases. If the drop in working inductance is severe enough, it may cause the boost converter to become unstable, or cause the TPA2015D1 to reach its current limit at a lower output power than expected. Inductor vendors specify currents at which inductor values decrease by a specific percentage. This can vary by 10% to 35%. Inductance is also affected by dc current and temperature.

Inductor current rating is determined by the requirements of the load. The inductance is determined by two factors: the minimum value required for stability and the maximum ripple current permitted in the application.

Use [Equation 1](#) to determine the required current rating. [Equation 1](#) shows the approximate relationship between the average inductor current, I_L , to the load current, load voltage, and input voltage (I_{PVDD} , PVOOUT, and VBAT, respectively.) Insert I_{PVDD} , PVDD, and VBAT into [Equation 1](#) to solve for I_L . The inductor must maintain at least 90% of its initial inductance value at this current.

$$I_L = I_{PVDD} \times \left(\frac{PVDD}{VBAT \times 0.8} \right) \quad (1)$$

The minimum working inductance is 1.3 μ H. A lower value may cause instability.

Ripple current, ΔI_L , is peak-to-peak variation in inductor current. Smaller ripple current reduces core losses in the inductor as well as the potential for EMI. Use [Equation 2](#) to determine the value of the inductor, L . [Equation 2](#) shows the relationships among inductance L , VBAT, PVDD, the switching frequency, f_{boost} , and ΔI_L . Insert the maximum acceptable ripple current into [Equation 2](#) to solve for L .

$$L = \frac{VBAT \times (PVDD - VBAT)}{\Delta I_L \times f_{BOOST} \times PVDD} \quad (2)$$

ΔI_L is inversely proportional to L. Minimize ΔI_L as much as is necessary for a specific application. Increase the inductance to reduce the ripple current. Note that making the inductance too large prevents the boost converter from responding to fast load changes properly. Typical inductor values for the TPA2015D1 are 2.2 μ H to 4.7 μ H.

Select an inductor with a small dc resistance, DCR. DCR reduces the output power due to the voltage drop across the inductor.

2.2.3 Changing the Boost Capacitor

The value of the boost capacitor is determined by the minimum value of working capacitance required for stability and the maximum voltage ripple allowed on PVOOUT in the application. The minimum value of working capacitance is 4.7 μ F. Do not use any component with a working capacitance less than 4.7 μ F.

For X5R or X7R ceramic capacitors, Equation 3 shows the relationships among the boost capacitance, C, to load current, load voltage, ripple voltage, input voltage, and switching frequency (I_{PVOUT} , PVOOUT, ΔV , VDD, f_{boost} respectively). Insert the maximum allowed ripple voltage into Equation 3 to solve for C. A factor of about 1.5 is included to account for capacitance loss due to dc voltage and temperature.

$$C = 1.5 \times \frac{I_{PVDD} \times (PVDD - VBAT)}{\Delta V \times f_{BOOST} \times PVDD} \quad (3)$$

For aluminum or tantalum capacitors, Equation 4 shows the relationships among the boost capacitance, C, to load current, load voltage, ripple voltage, input voltage, and switching frequency (I_{PVOUT} , PVOOUT, ΔV , VDD, f_{boost} respectively). Insert the maximum allowed ripple voltage into Equation 4 to solve for C. Solve this equation assuming ESR is zero.

$$C = \frac{I_{PVDD} \times (PVDD - VBAT)}{\Delta V \times f_{BOOST} \times PVDD} \quad (4)$$

Capacitance of aluminum and tantalum capacitors is normally insensitive to applied voltage, so there is no factor of 1.5 included in Equation 4. However, the ESR in aluminum and tantalum capacitors can be significant. Choose an aluminum or tantalum capacitor with an ESR around 30 m Ω . For best performance with tantalum capacitors, use at least a 10-V rating. Note that tantalum capacitors must generally be used at voltages of half their ratings or less.

2.3 Power Up

1. Verify the correct connections as described in Section 2.1
2. Verify the voltage setting of the power supply is between 2.3 V and 5.2 V, and turn on the power supply. Proper operation of the EVM begins.
3. Adjust the audio signal source as needed.

3 Reference

This section includes the EVM schematic, board layout reference, and parts list.

3.1 TPA2015D1 EVM Schematic

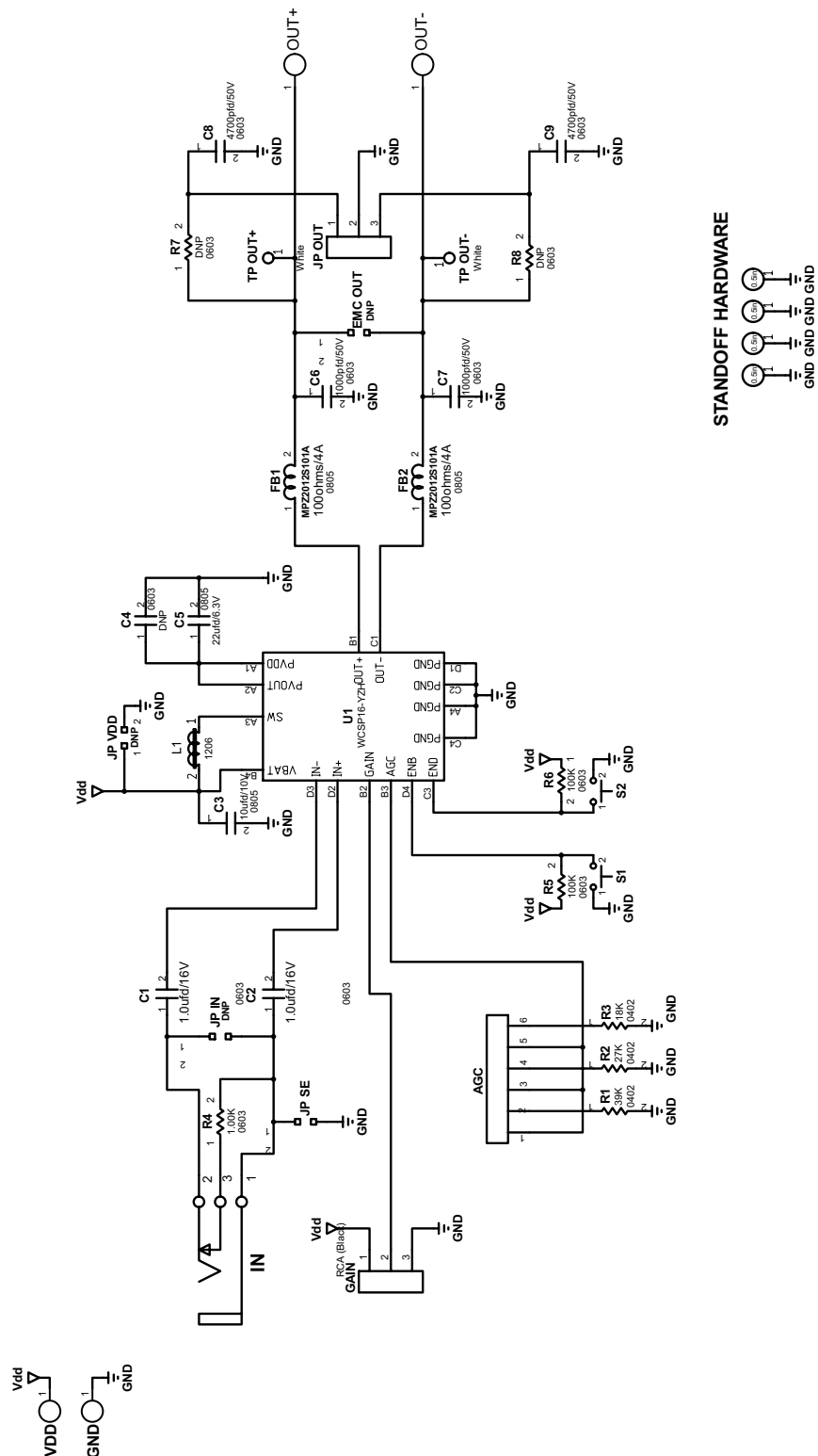


Figure 1. TPA2015D1 EVM Schematic

3.2 TPA2015D1 EVM PCB Layers

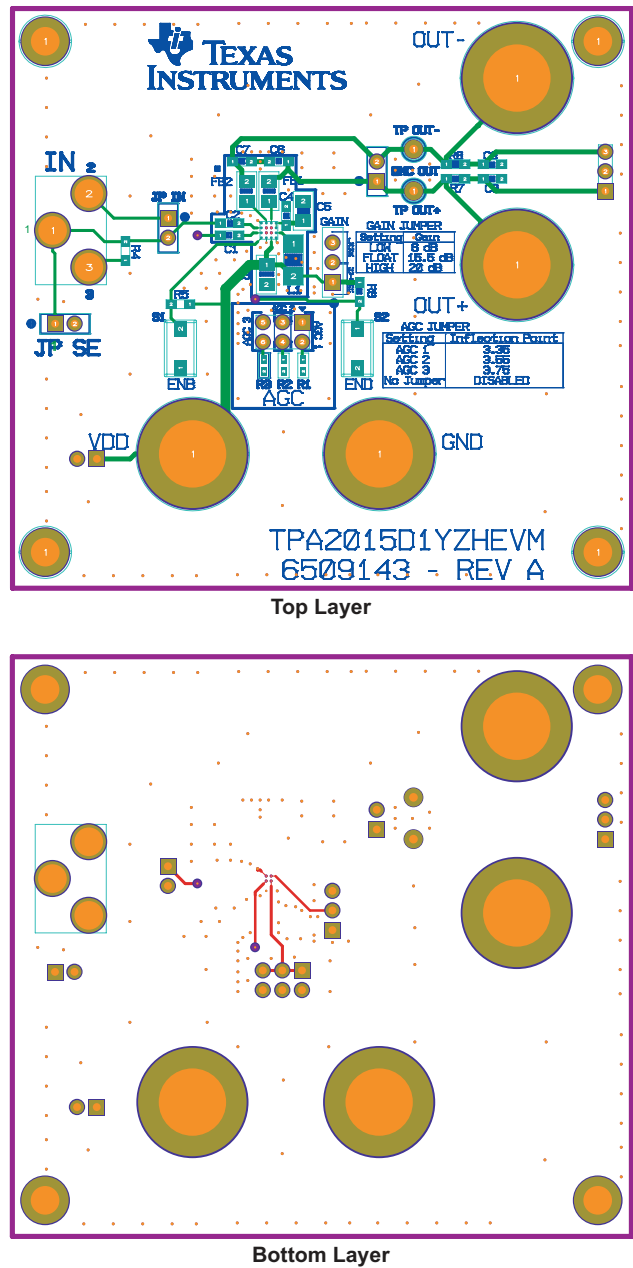


Figure 2. TPA2015D1 EVM – Top and Bottom Layers

3.3 TPA2015D1 EVM Parts List

Table 1. TPA2015D1 EVM Parts List

QTY	REF DES	Vendor and Part Number	Manufacturer and Part Number	Description
SEMICONDUCTORS				
1	U1	TEXAS INSTRUMENTS TPA2015D1YZH	TEXAS INSTRUMENTS TPA2015D1YZH	1.4 W CLASS-D AUDIO AMP W/BOOST AND SMARTGAIN WCSP16-YZH ROHS
CAPACITORS				
2	C6, C7	DIGI-KEY 445-1293-1	TDK CORP C1608C0G1H102J	CAPACITOR SMD0603 CERM 1000 pF, 50 V, 5% COG ROHS
1	C8, C9	DIGI-KEY PCC1780CT	PANASONIC ECJ-1VB1H472K	CAPACITOR SMD0603 CERM 4700 pF, 50 V, 10% X7R ROHS
2	C5	DIGI-KEY 587-1958-1-ND	TAIYO YUDEN LMK212BJ226MG-T	CAPACITOR SMD0805 CERM 22 μ F, 10 V, 20% X5R ROHS
2	C3	DIGI-KEY 490-3905-1	MURATA GRM21BR71A106KE51L	CAPACITOR SMD0805 CERM 10 μ F, 10 V, 10% X7R ROHS
2	C1, C2	DIGI-KEY 587-1241-1	TAIYO YUDEN EMK107B7105KA-T ⁽¹⁾	CAPACITOR SMD0603 CERM 1.0 μ F, 16V, 10% X7R ROHS
RESISTORS AND INDUCTORS				
2	R5, R6	DIGI-KEY P100KGCT	PANASONIC ERJ-3GEYJ104V	RESISTOR SMD0603 THICK FILM 100 k Ω , 5%, 1/10 W ROHS
1	R4	DIGI-KEY 311-1.00KHRCT	YAGEO RC0603FR-071KL	RESISTOR SMD0603 THICK FILM 1.00 k Ω , 1%, 1/10 W ROHS
1	R1	DIGI-KEY P39KJCT-ND	YAGEO ERJ-2GEJ393	RESISTOR SMD0402 THICK FILM 39 k Ω , 5%, 1/16 W
1	R3	DIGI-KEY P18KJCT-ND	TAGEO ERJ-2GEJ183	RESISTOR SMD0402 THICK FILM 18 k Ω , 5%, 1/16 W
1	R2	DIGI-KEY P27KJCT-ND	YAGEO ERJ-2GEJ273	RESISTOR SMD0402 THICK FILM 27 k Ω , 5%, 1/16 W
1	L1	NEWARK 490-5114-1-ND	MURATA LQM2HPN2R2MG0L	INDUCTOR 2.2 μ H, 20%, 1300 mA, 1008
2	FB1, FB2	DIGI-KEY 445-1567-1	TDK MPZ2012S101A	FERRITE BEAD SMD0805 100 Ohms 4 A, 100 MHz, ROHS
HEADERS AND JACKS				
2	GAIN, JP OUT	DIGI-KEY 2663S-03	NORCOMP 26630301RP2	HEADER 3 PIN, PCB 2.0 mm ROHS
4	JP IN, JP SE, JP VDD, EMC OUT	DIGI-KEY 2663S-02	NORCOMP 26630201RP2	HEADER 2 PIN, PCB 2.0 mm ROHS
1	AGC	DIGI-KEY 2764R-03	NORCOMP 27640602RP2	HEADER 2 x 3 PIN PCB-RA 2.0 mm ROHS
1	IN	NEWARK 65K7770	SWITCHCRAFT PJRAN1X1U01X	JACK, RCA 3-PIN PCB-RA BLACK ROHS
TESTPOINTS, SWITCHES, AND TRIMPOT				
2	TP OUT+, TP OUT-	DIGI-KEY 5002K	KEYSTONE ELECTRONICS 5002	PC TESTPOINT, WHITE, ROHS
2	S1	DIGI-KEY EG4344CT	E-SWITCH TL1015AF160QG	SWITCH, MOM, 160G SMT 4 x 3 mm ROHS
8	GAIN, JP OUT, JP IN, JP SE, JP VDD, EMC OUT, AGC	DIGI-KEY SP2-001E	NORCOMP INC. 810-002-SP2L001	SHUNT, BLACK Au FLASH 2 mm LS

⁽¹⁾ Do not substitute parts

Table 1. TPA2015D1 EVM Parts List (continued)

QTY	REF DES	Vendor and Part Number	Manufacturer and Part Number	Description
BINDING POSTS				
4	GND, VDD, OUT+,OUT-	DIGI-KEY J587	EMERSON NPCS 111-2223-001	BINDING-POST, NONINSULATED, THRU, ROHS
STANDOFFS AND HARDWARE				
4	HW1, HW2, HW3, HW4	DIGI-KEY 2027K	KEYSTONE 2027	STANDOFF, 4-40 0.5IN 3/16IN DIA ALUM RND F-F
4	HW1, HW2, HW3, HW4	DIGI-KEY H342	BUILDING FASTENERS PMS 440 0025 PH	4-40 SCREW, STEEL 0.250 IN
COMPONENTS NOT ASSEMBLED				
R7, R8, C4				

EVALUATION BOARD/KIT IMPORTANT NOTICE

Texas Instruments (TI) provides the enclosed product(s) under the following conditions:

This evaluation board/kit is intended for use for **ENGINEERING DEVELOPMENT, DEMONSTRATION, OR EVALUATION PURPOSES ONLY** and is not considered by TI to be a finished end-product fit for general consumer use. Persons handling the product(s) must have electronics training and observe good engineering practice standards. As such, the goods being provided are not intended to be complete in terms of required design-, marketing-, and/or manufacturing-related protective considerations, including product safety and environmental measures typically found in end products that incorporate such semiconductor components or circuit boards. This evaluation board/kit does not fall within the scope of the European Union directives regarding electromagnetic compatibility, restricted substances (RoHS), recycling (WEEE), FCC, CE or UL, and therefore may not meet the technical requirements of these directives or other related directives.

Should this evaluation board/kit not meet the specifications indicated in the User's Guide, the board/kit may be returned within 30 days from the date of delivery for a full refund. **THE FOREGOING WARRANTY IS THE EXCLUSIVE WARRANTY MADE BY SELLER TO BUYER AND IS IN LIEU OF ALL OTHER WARRANTIES, EXPRESSED, IMPLIED, OR STATUTORY, INCLUDING ANY WARRANTY OF MERCHANTABILITY OR FITNESS FOR ANY PARTICULAR PURPOSE.**

The user assumes all responsibility and liability for proper and safe handling of the goods. Further, the user indemnifies TI from all claims arising from the handling or use of the goods. Due to the open construction of the product, it is the user's responsibility to take any and all appropriate precautions with regard to electrostatic discharge.

EXCEPT TO THE EXTENT OF THE INDEMNITY SET FORTH ABOVE, NEITHER PARTY SHALL BE LIABLE TO THE OTHER FOR ANY INDIRECT, SPECIAL, INCIDENTAL, OR CONSEQUENTIAL DAMAGES.

TI currently deals with a variety of customers for products, and therefore our arrangement with the user **is not exclusive.**

TI assumes **no liability for applications assistance, customer product design, software performance, or infringement of patents or services described herein.**

Please read the User's Guide and, specifically, the Warnings and Restrictions notice in the User's Guide prior to handling the product. This notice contains important safety information about temperatures and voltages. For additional information on TI's environmental and/or safety programs, please contact the TI application engineer or visit www.ti.com/esh.

No license is granted under any patent right or other intellectual property right of TI covering or relating to any machine, process, or combination in which such TI products or services might be or are used.

FCC Warning

This evaluation board/kit is intended for use for **ENGINEERING DEVELOPMENT, DEMONSTRATION, OR EVALUATION PURPOSES ONLY** and is not considered by TI to be a finished end-product fit for general consumer use. It generates, uses, and can radiate radio frequency energy and has not been tested for compliance with the limits of computing devices pursuant to part 15 of FCC rules, which are designed to provide reasonable protection against radio frequency interference. Operation of this equipment in other environments may cause interference with radio communications, in which case the user at his own expense will be required to take whatever measures may be required to correct this interference.

EVM WARNINGS AND RESTRICTIONS

It is important to operate this EVM within the input voltage range of -0.3 V to 6 V and the output voltage range of -0.3 V to VDD +0.3 .

Exceeding the specified input range may cause unexpected operation and/or irreversible damage to the EVM. If there are questions concerning the input range, please contact a TI field representative prior to connecting the input power.

Applying loads outside of the specified output range may result in unintended operation and/or possible permanent damage to the EVM. Please consult the EVM User's Guide prior to connecting any load to the EVM output. If there is uncertainty as to the load specification, please contact a TI field representative.

During normal operation, some circuit components may have case temperatures greater than 85°C. The EVM is designed to operate properly with certain components above 85°C as long as the input and output ranges are maintained. These components include but are not limited to linear regulators, switching transistors, pass transistors, and current sense resistors. These types of devices can be identified using the EVM schematic located in the EVM User's Guide. When placing measurement probes near these devices during operation, please be aware that these devices may be very warm to the touch.

Mailing Address: Texas Instruments, Post Office Box 655303, Dallas, Texas 75265
Copyright © 2010, Texas Instruments Incorporated

IMPORTANT NOTICE

Texas Instruments Incorporated and its subsidiaries (TI) reserve the right to make corrections, modifications, enhancements, improvements, and other changes to its products and services at any time and to discontinue any product or service without notice. Customers should obtain the latest relevant information before placing orders and should verify that such information is current and complete. All products are sold subject to TI's terms and conditions of sale supplied at the time of order acknowledgment.

TI warrants performance of its hardware products to the specifications applicable at the time of sale in accordance with TI's standard warranty. Testing and other quality control techniques are used to the extent TI deems necessary to support this warranty. Except where mandated by government requirements, testing of all parameters of each product is not necessarily performed.

TI assumes no liability for applications assistance or customer product design. Customers are responsible for their products and applications using TI components. To minimize the risks associated with customer products and applications, customers should provide adequate design and operating safeguards.

TI does not warrant or represent that any license, either express or implied, is granted under any TI patent right, copyright, mask work right, or other TI intellectual property right relating to any combination, machine, or process in which TI products or services are used. Information published by TI regarding third-party products or services does not constitute a license from TI to use such products or services or a warranty or endorsement thereof. Use of such information may require a license from a third party under the patents or other intellectual property of the third party, or a license from TI under the patents or other intellectual property of TI.

Reproduction of TI information in TI data books or data sheets is permissible only if reproduction is without alteration and is accompanied by all associated warranties, conditions, limitations, and notices. Reproduction of this information with alteration is an unfair and deceptive business practice. TI is not responsible or liable for such altered documentation. Information of third parties may be subject to additional restrictions.

Resale of TI products or services with statements different from or beyond the parameters stated by TI for that product or service voids all express and any implied warranties for the associated TI product or service and is an unfair and deceptive business practice. TI is not responsible or liable for any such statements.

TI products are not authorized for use in safety-critical applications (such as life support) where a failure of the TI product would reasonably be expected to cause severe personal injury or death, unless officers of the parties have executed an agreement specifically governing such use. Buyers represent that they have all necessary expertise in the safety and regulatory ramifications of their applications, and acknowledge and agree that they are solely responsible for all legal, regulatory and safety-related requirements concerning their products and any use of TI products in such safety-critical applications, notwithstanding any applications-related information or support that may be provided by TI. Further, Buyers must fully indemnify TI and its representatives against any damages arising out of the use of TI products in such safety-critical applications.

TI products are neither designed nor intended for use in military/aerospace applications or environments unless the TI products are specifically designated by TI as military-grade or "enhanced plastic." Only products designated by TI as military-grade meet military specifications. Buyers acknowledge and agree that any such use of TI products which TI has not designated as military-grade is solely at the Buyer's risk, and that they are solely responsible for compliance with all legal and regulatory requirements in connection with such use.

TI products are neither designed nor intended for use in automotive applications or environments unless the specific TI products are designated by TI as compliant with ISO/TS 16949 requirements. Buyers acknowledge and agree that, if they use any non-designated products in automotive applications, TI will not be responsible for any failure to meet such requirements.

Following are URLs where you can obtain information on other Texas Instruments products and application solutions:

Products		Applications	
Amplifiers	amplifier.ti.com	Audio	www.ti.com/audio
Data Converters	dataconverter.ti.com	Automotive	www.ti.com/automotive
DLP® Products	www.dlp.com	Communications and Telecom	www.ti.com/communications
DSP	dsp.ti.com	Computers and Peripherals	www.ti.com/computers
Clocks and Timers	www.ti.com/clocks	Consumer Electronics	www.ti.com/consumer-apps
Interface	interface.ti.com	Energy	www.ti.com/energy
Logic	logic.ti.com	Industrial	www.ti.com/industrial
Power Mgmt	power.ti.com	Medical	www.ti.com/medical
Microcontrollers	microcontroller.ti.com	Security	www.ti.com/security
RFID	www.ti-rfid.com	Space, Avionics & Defense	www.ti.com/space-avionics-defense
RF/IF and ZigBee® Solutions	www.ti.com/lprf	Video and Imaging	www.ti.com/video
		Wireless	www.ti.com/wireless-apps