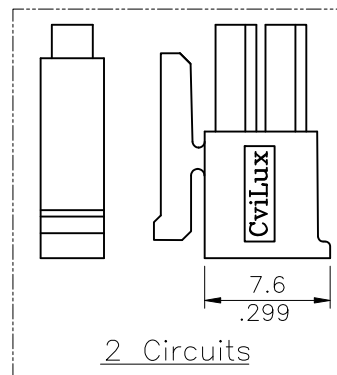


BACK VIEW



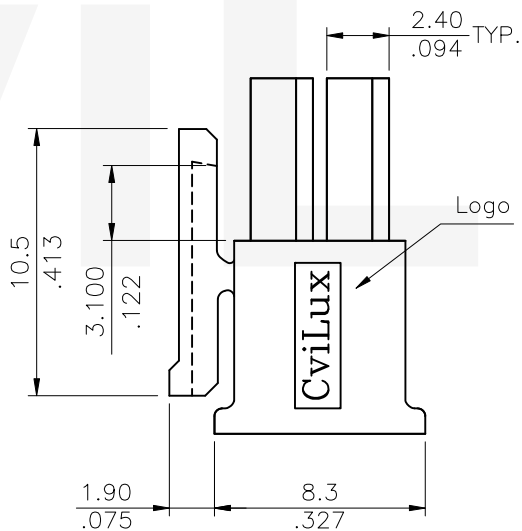
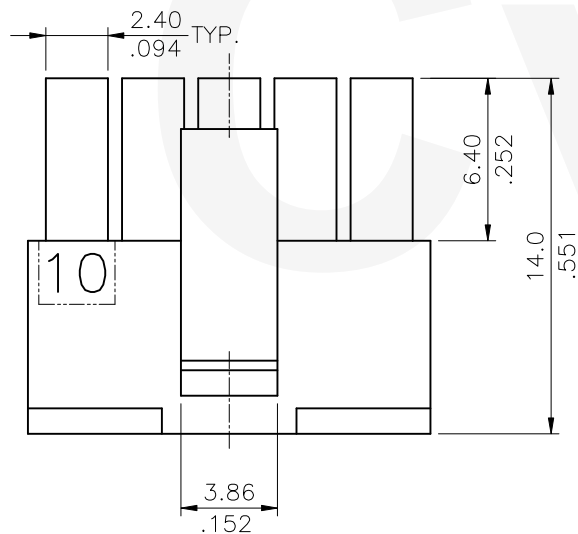
2 Circuits

Material: Nylon 66 UL 94V-0

Ordering Code:

CP35 \*\* S 001 0 -NH  
 ① ② ③ ④ ⑤ ⑥

- ① Series No.
- ② Connector:
- ③ Contact type: S = Receptacle
- ④ Color: 001 = Color Black
- ⑤ Option: 0 = Standard
- ⚠ ⑥ -NH= Halogen-Free



Circuits	Dimension	
	A	B
2	—	3.9(.154)
4	3.00(.118)	6.9(.272)
6	6.00(.236)	9.9(.390)
8	9.00(.354)	12.9(.508)
10	12.00(.472)	15.9(.626)
12	15.00(.591)	18.9(.744)
14	18.00(.709)	21.9(.862)
16	21.00(.827)	24.9(.980)
18	24.00(.945)	27.9(1.098)
20	27.00(1.063)	30.9(1.217)
22	30.00(1.181)	33.9(1.335)
24	33.00(1.299)	36.9(1.453)

Halogen-Free RoHS Compliant

④					DATE	UNIT: mm / inch	TITLE: 3.00mm PITCH POWER CONNECTOR FEMALE HOUSING
③					DRAWN BY: Sandy	6/11-19'	MATERIAL:
②					ENGINEER: Sun	6/19-19'	
①	Sandy	6/11-19'	ECNT119143		CHECKED BY: Eisley	7/04-19'	CUSTOMER: HL0142 F5T0051
SYM	NAME	DATE	REVISIONS		APPROVED BY: Eisley	7/04-19'	

CVILUX CORP  
 2019.07.05  
 ISSUED

瀚荃股份有限公司  
 CviLux Corporation

DRAWING NO.	CP3589SB	PART NO.	CP35**S0010-NH
SCALE	3 / 1	SHEET	1 OF 1