

1

2

3

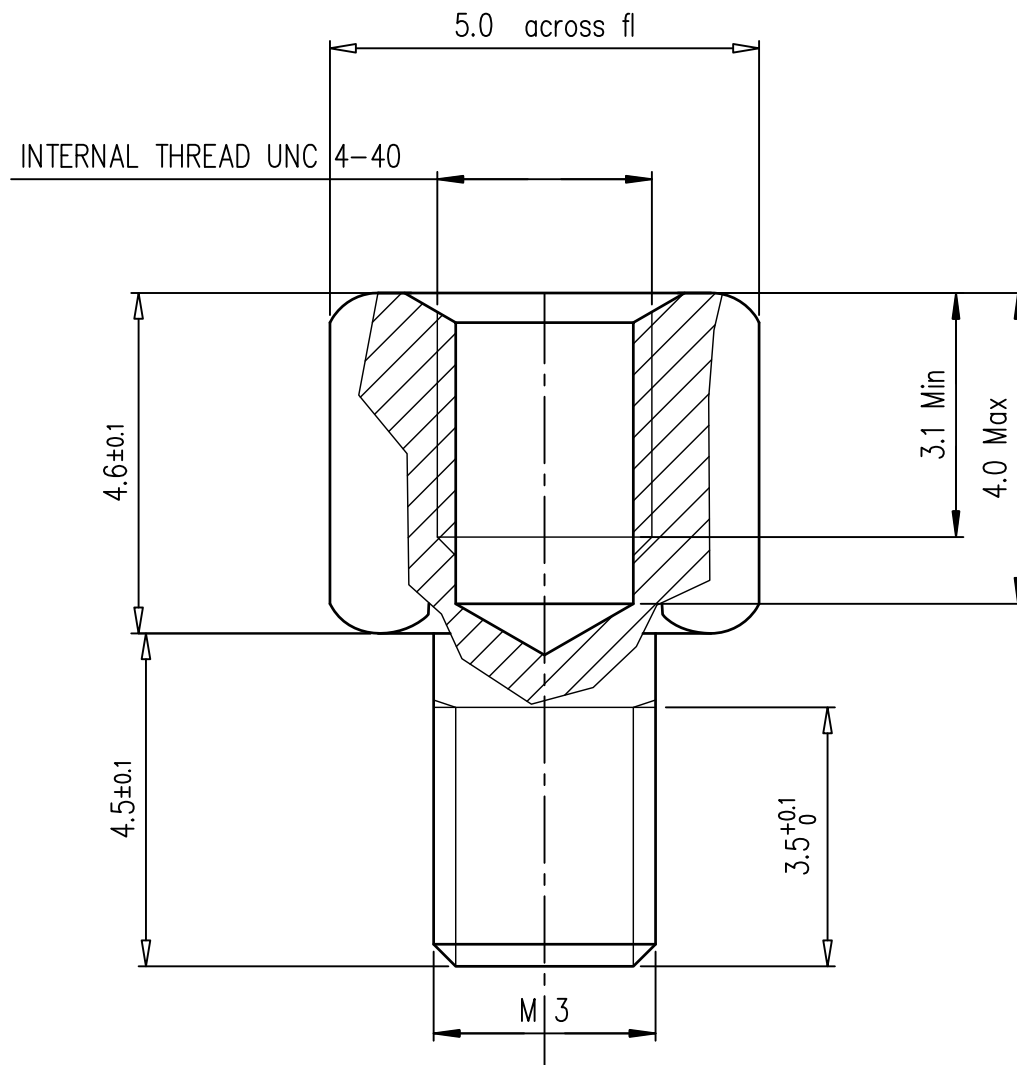
4

TECHNICAL CHARACTERISTICS :

Female screw locks: steel, tin plated .

Packaging : per 100 pieces .

Corrosion resistance : 50 hour exposure to salt spray .



Copyright FCI.

NOTE: RoHS INFORMATIONS

- The "LF" products meet European union Directives and other country regulations as described in GS-22-008.
- Plating Sn (pure bright ) over copper
- Packaging spec: see GS-14-920

Part number	86551167TLF
-------------	-------------

European Views

www.fciconnect.com			surface ISO 1302 ✓	tolerance std ISO 406 ISO 1101	projection mm
TOLERANCES UNLESS OTHERWISE SPECIFIED					
Dr	JOUBERT	1995/10/16	ANGULAR	0.X	±0.1
Eng	PESSON	1995/10/16		LINEAR	0.XX
Chr	ABHILASH	2011/01/25	0.XX ±2	0.XXX	±0.1
Appr	SUDHIR	2011/01/25	Product family		D-SUB
size A3					Scale 10
ECN 111-0022					Spec ref -
FCI			title FEMALE SCREW LOCKS		Rev. F
			D SUB ACCESSORIES		dwg no C01-8655-0684
			catalog no -		CUSTOMER sheet 1 of 1

rev	ecn no	dr	date
B	-	JOU	1996/01/17
C	LS05-0026	MPE	2005/07/08
D	LS06-0097	LGO	2006/07/28
E	LS09-0006	PCR	2009/01/08
F	111-0022	AMR	2011/01/25
-	-	-	-
-	-	-	-

1

2

3

4