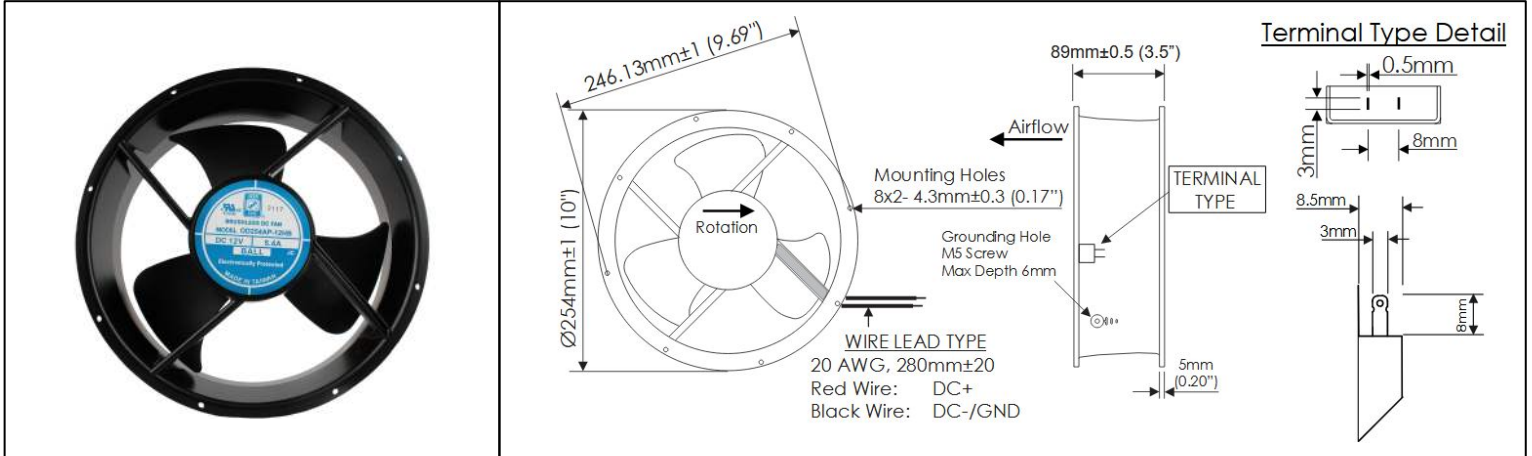


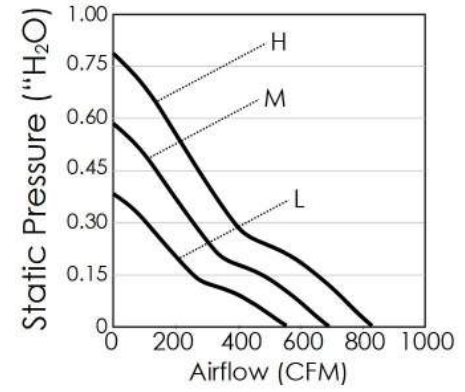
OD254AP Series



DC Fans - 12, 24, 48V
254mm x 89mm (10" x 3.5")



Frame	Die Cast Aluminum, Black Finish	Operating Temperature -20°C ~ +65°C
Impeller	PBT, UL94 V-0 Plastic	
Connection	2x Lead Wires, 20 AWG	Storage Temperature -20°C ~ +75°C
Motor	Brushless DC, Auto Cutoff, Auto Restart, Polarity Protected, Electronically Protected	Life Expectancy 90,000 Hours (L10 at 35°C)
Bearing System	Ball Bearings	Available Options Tachometer Output Alarm Output PWM Speed Control Input Thermistor Speed Control IP Ratings
Dielectric Strength	500VDC/min, <1mA	
Insulation Resistance	≥10M Ohm @ 500 VDC	



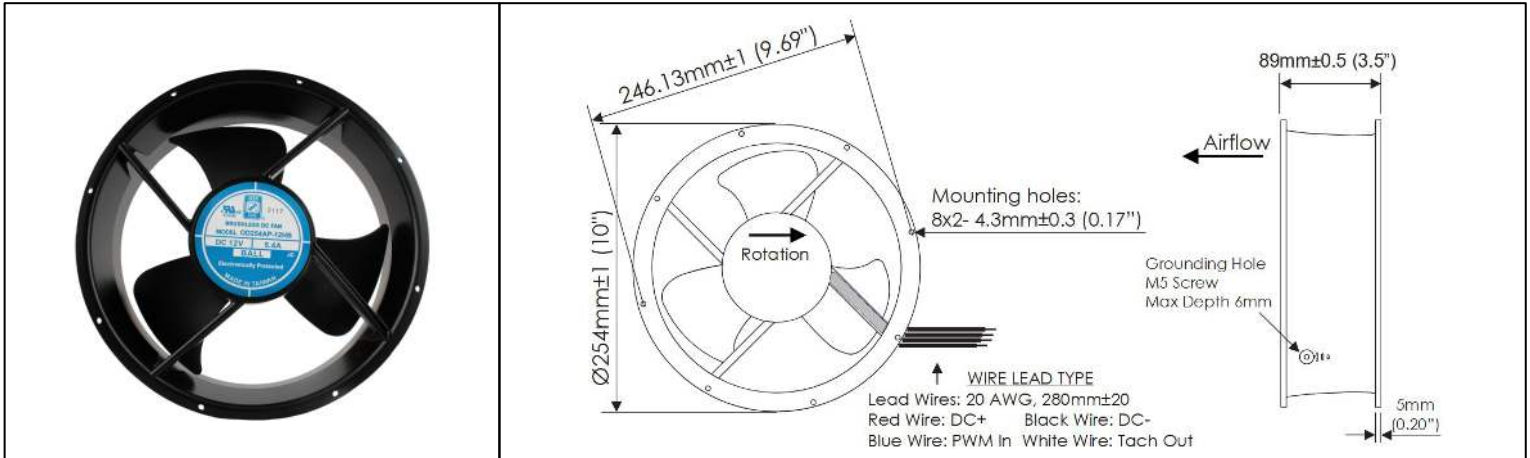
Part Number	Rated Voltage (Volts DC)	Voltage Range (Volts DC)	Input Power (Watts)	Rated Current (Amps)(Max)	Rated Speed (RPM)	Max Airflow (CFM)	Noise Level (dBA)	Max Static Pressure (H ₂ O)
OD254AP-12H*B	12	9 ~ 13.8	65	5.30 (5.4)	2450	830	62.1	0.79
OD254AP-12M*B	12	9 ~ 13.8	38	1.90 (3.1)	2000	690	47.4	0.58
OD254AP-12L*B	12	9 ~ 13.8	18	1.10 (1.5)	1650	550	39.4	0.37
OD254AP-24H*B	24	16 ~ 26	64	2.6 (2.65)	2450	830	62.1	0.79
OD254AP-24M*B	24	16 ~ 26	36	1.30 (1.5)	2000	690	47.4	0.58
OD254AP-24L*B	24	16 ~ 26	29	0.66 (1.2)	1650	550	39.4	0.37
OD254AP-48H*B	48	24 ~ 52	63	1.25 (1.3)	2450	830	62.1	0.79
OD254AP-48M*B	48	24 ~ 52	48	0.54 (1.0)	2000	690	47.4	0.58
OD254AP-48L*B	48	24 ~ 52	34	0.40 (0.7)	1650	550	39.4	0.37

* Insert letter "T" for Terminal power connection type, leave blank for Wire Lead power connection type

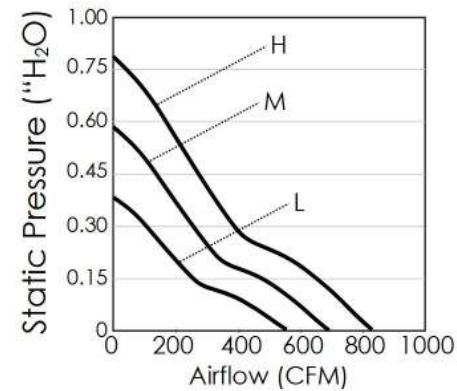
OD254AP Series with PWM and Tach



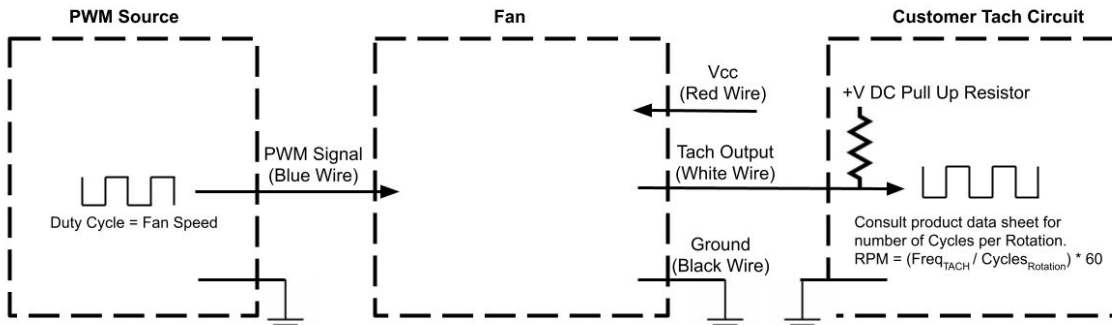
DC Fans - 12, 24, 48V
254mm x 89mm (10" x 3.5")



Frame	Die Cast Aluminum, Black Finish	Operating Temperature -20°C ~ +65°C Storage Temperature -20°C ~ +75°C Life Expectancy 90,000 Hours (L10 at 35°C)	Static Pressure ("H₂O)
Impeller	PBT, UL94 V-0 Plastic		
Connection	4x Lead Wires, 20 AWG	Installed Options PWM Speed Control Input Open Collector Tach Output	Static Pressure ("H₂O)
Motor	Brushless DC, Auto Cutoff, Auto Restart, Polarity Protected, Electronically Protected		
Bearing System	Ball Bearings	Available Options 5V TTL Tach Output	Static Pressure ("H₂O)
Dielectric Strength	500VDC/min, <1mA		
Insulation Resistance	≥10M Ohm @ 500 VDC	Weight: 4.0 lbs	Static Pressure ("H₂O)



Part Number	Rated Voltage (Volts DC)	Voltage Range (Volts DC)	Input Power (Watts)	Rated Current (Amps)(Max)	Rated Speed (RPM)	Max Airflow (CFM)	Noise Level (dBA)	Max Static Pressure ("H ₂ O)
OD254AP-12HB10A	12	9 ~ 13.8	65	5.30 (5.4)	2450	830	62.1	0.79
OD254AP-12MB10A	12	9 ~ 13.8	38	1.90 (3.1)	2000	690	47.4	0.58
OD254AP-12LB10A	12	9 ~ 13.8	18	1.10 (1.5)	1650	550	39.4	0.37
OD254AP-24HB10A	24	16 ~ 26	64	2.6 (2.65)	2450	830	62.1	0.79
OD254AP-24MB10A	24	16 ~ 26	36	1.30 (1.5)	2000	690	47.4	0.58
OD254AP-24LB10A	24	16 ~ 26	29	0.66 (1.2)	1650	550	39.4	0.37
OD254AP-48HB10A	48	24 ~ 52	63	1.25 (1.3)	2450	830	62.1	0.79
OD254AP-48MB10A	48	24 ~ 52	48	0.54 (1.0)	2000	690	47.4	0.58
OD254AP-48LB10A	48	24 ~ 52	34	0.40 (0.7)	1650	550	39.4	0.37

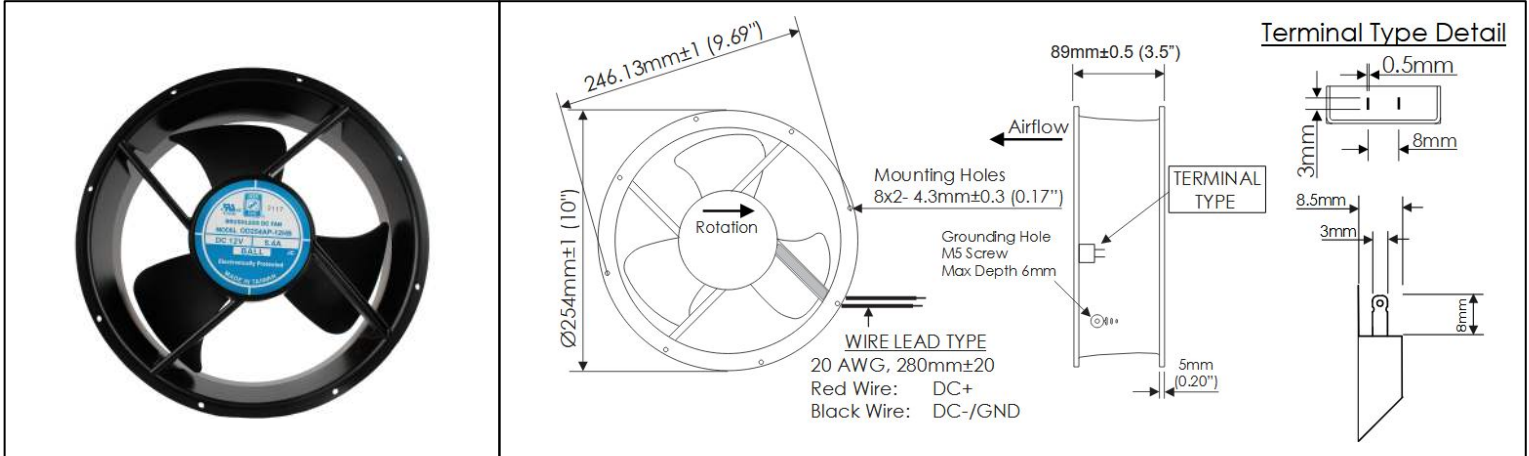


Tach Max Pullup Voltage: Fan Vcc
Tach Max Sink Current: 8mA
Tach Cycles per Rotation: 2
PWM Max High Voltage: 5V
PWM Max Sink Current: 5mA
PWM Frequency Range: 1KHz-40KHz
PWM Typical Frequency: 25KHz
RPM at 0% Duty Cycle: 0 RPM
RPM will be full speed if PWM input is disconnected.

OD254AP IP Rated Series



DC Fans - 12, 24, 48V
254mm x 89mm (10" x 3.5")



Frame	Die Cast Aluminum, Black Finish	Operating Temperature -20°C ~ +65°C Storage Temperature -20°C ~ +75°C Life Expectancy 90,000 Hours (L10 at 35°C) Available Options Tachometer Output Alarm Output PWM Speed Control Input Thermistor Speed Control Weight: 4.0 lbs.	
Impeller	PBT, UL94 V-0 Plastic		
Connection	2x Lead Wires, 20 AWG		
Motor	Brushless DC, Auto Cutoff, Auto Restart, Polarity Protected, Electronically Protected, IP68 or 69K		
Bearing System	Ball Bearings		
Dielectric Strength	500VDC/min, <1mA		
Insulation Resistance	≥10M Ohm @ 500 VDC		

Part Number	Rated Voltage (Volts DC)	Voltage Range (Volts DC)	Input Power (Watts)	Rated Current (Amps)(Max)	Rated Speed (RPM)	Airflow (CFM)	Noise Level (dB)	Max. Static Pressure ("H ₂ O)
OD254AP-12H*BIP68	12	9 ~ 13.8	65	5.30 (5.4)	2450	830	62.1	0.79
OD254AP-12M*BIPxxx	12	9 ~ 13.8	38	1.90 (3.1)	2000	690	47.4	0.58
OD254AP-12L*BIPxxx	12	9 ~ 13.8	18	1.10 (1.5)	1650	550	39.4	0.37
OD254AP-24H*BIPxxx	24	16 ~ 26	64	2.6 (2.65)	2450	830	62.1	0.79
OD254AP-24M*BIPxxx	24	16 ~ 26	36	1.30 (1.5)	2000	690	47.4	0.58
OD254AP-24L*BIPxxx	24	16 ~ 26	29	0.66 (1.2)	1650	550	39.4	0.37
OD254AP-48H*BIPxxx	48	24 ~ 52	63	1.25 (1.3)	2450	830	62.1	0.79
OD254AP-48M*BIPxxx	48	24 ~ 52	48	0.54 (1.0)	2000	690	47.4	0.58
OD254AP-48L*BIPxxx	48	24 ~ 52	34	0.40 (0.7)	1650	550	39.4	0.37

* Insert letter "T" for Terminal connection type. Terminal connection is not IP Rated.
 Xxx Insert "68" for IP68 rating, or "69K" for IP69K rating.