

PIN NUMBER	DIM. L±0.15
25,26	3.50
ALL OTHER PINS	4.25
1, 13, 38, 50	5.00

NOTES :

1. MATERIAL :

INSULATOR : SUMIKASUPER LCP E6807
 FLAMMABILITY RATING: UL94V-0
 COLOR: IVORY
 CONTACT : BRASS C2680R-H, t=0.30mm.
 GROUND MOUNTING EAR: PHOSPHER BRONZE C5191-H, t=0.20mm.
 PICK-UP CAP: LCP E130i

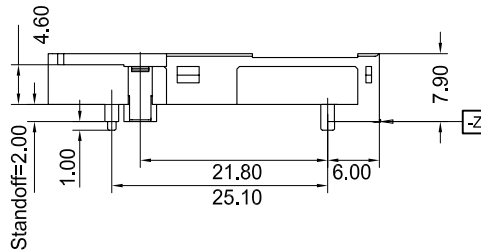
2. PLATING :

CONTACT AREA: SELECTIVE GOLD (SEE P/N DESCRIPTION)
 UNDER PLATING: 50u" Min. NICKEL OVERALL
 SOLDER TAIL AREA: 100u" Min. TIN/LEAD or 100u" Min. MATTE TIN.
 GROUND MOUNTING EAR CONTACT AREA: GOLD FLASH.
 GROUND MOUNTING EAR SOLDER AREA: 100u" Min. TIN/LEAD or 100u" Min. MATTE TIN.

3. SOLDER TAILS TO BE WITHIN 0.05 UPWARD AND 0.2 DOWNWARD FROM Z-DATUM PLACE, AND COPLANARITY OF SOLDER TAILS TO BE WITHIN 0.10mm.

4. PRODUCT SPEC: GS-12-240.

5. PACKAGING SPEC: GS-14-980.



Standoff=2.00

mat'l code				tolerance unless otherwise specified			CUSTOMER COPY		www.fciconnect.com	
rev.	ecn no.	dr	date	linear	.0 ± .30	projection	title CF HEADER TYPE II NORMAL S/O=2.0			
E	ELX-N-16359	J.H	2013/11/25		.00 ± .20					
E	ELX-N-19498	J.H	2014/11/20	angles	.000 ± 0.10		product family: PCMCIA code NT			
					± 2°					
		dr	ALLEN CHANG	12/15/05	unit	mm	size		product family: PCMCIA	code
		enr	ALLEN CHANG	12/15/05	scale	A4	dwg no.		10064420	NT
		chr	STERLING LIN	12/15/05						sheet
		appd	H.C LIOU	12/15/05						1 OF 2
sheet	revision	F	F							
index	sheet	1	2							



6. Part Number Description:

P/N: 10064420-XX50XXX

PLATING ON SOLDER TAIL AREA:

BLANK: 100u" TIN/LEAD.

LF: 100u" MATTE TIN.

PACKAGING OPTION

WITHOUT "R" - TRAY

WITH "R" - TAPE&REEL

1: WITHOUT PICK-UP CAP

2: WITH PICK-UP CAP

PIN COUNT.

KEY TYPE:

0: NORMAL TYPE

GOLD PLATING:

B: 10u" GOLD PLATE

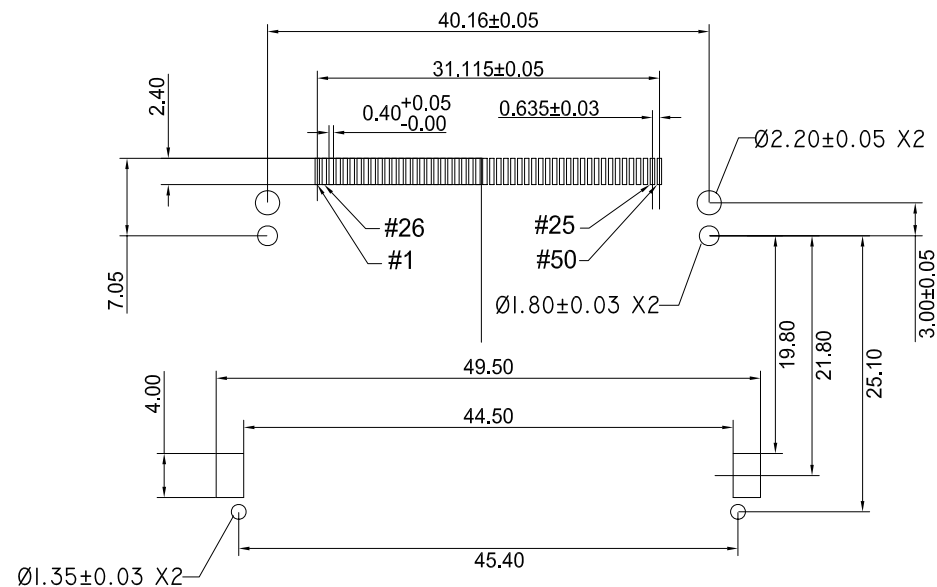
E: 30u" GOLD PLATE

7. THIS PRODUCT (10064420-XXXXLFL) MEETS THE EUROPEAN UNION DIRECTIVE AS DESCRIBED IN GS-22-008.

8. THIS PRODUCT (10064420-XXXX) MEETS THE EUROPEAN UNION DIRECTIVE AS DESCRIBED IN GS-22-008 EXCEPT FOR Pb.

9. THE HOUSING WILL WITHSTAND EXPOSURE TO 260°C PEAK TEMPERATURE FOR 10 SECONDS IN A CONVECTION, IR OR VAPER PHASE REFLOW OVEN.

10. THE PRODUCTS WHERE THE PART NUMBER ENDS IN "LF" MEET THE CRITERIA SHOWN IN THE NOTES 7 AND 9.



General Tolerance +/-0.05mm
Recommended PCB Pattern



Copyright FCI.

mat'l code				tolerance unless otherwise specified				CUSTOMER COPY		www.fciconnect.com	
rev.	ecn no.	dr	date	linear	.0 ± .30		projection	title CF HEADER TYPE II NORMAL S/O=2.0			
F					.00 ± .20						
					angles	.000 ± 0.10					
				± 2°							
		dr	ALLEN CHANG	12/15/05	unit	mm		product family: PCMCIA		code	
		enr	ALLEN CHANG	12/15/05	scale	A4		size		NT	
		chr	STERLING LIN	12/15/05	10064420		sheet		2 OF 2		
		appd	H.C LIOU	12/15/05							
sheet	revision	F	F								
index	sheet	1	2								