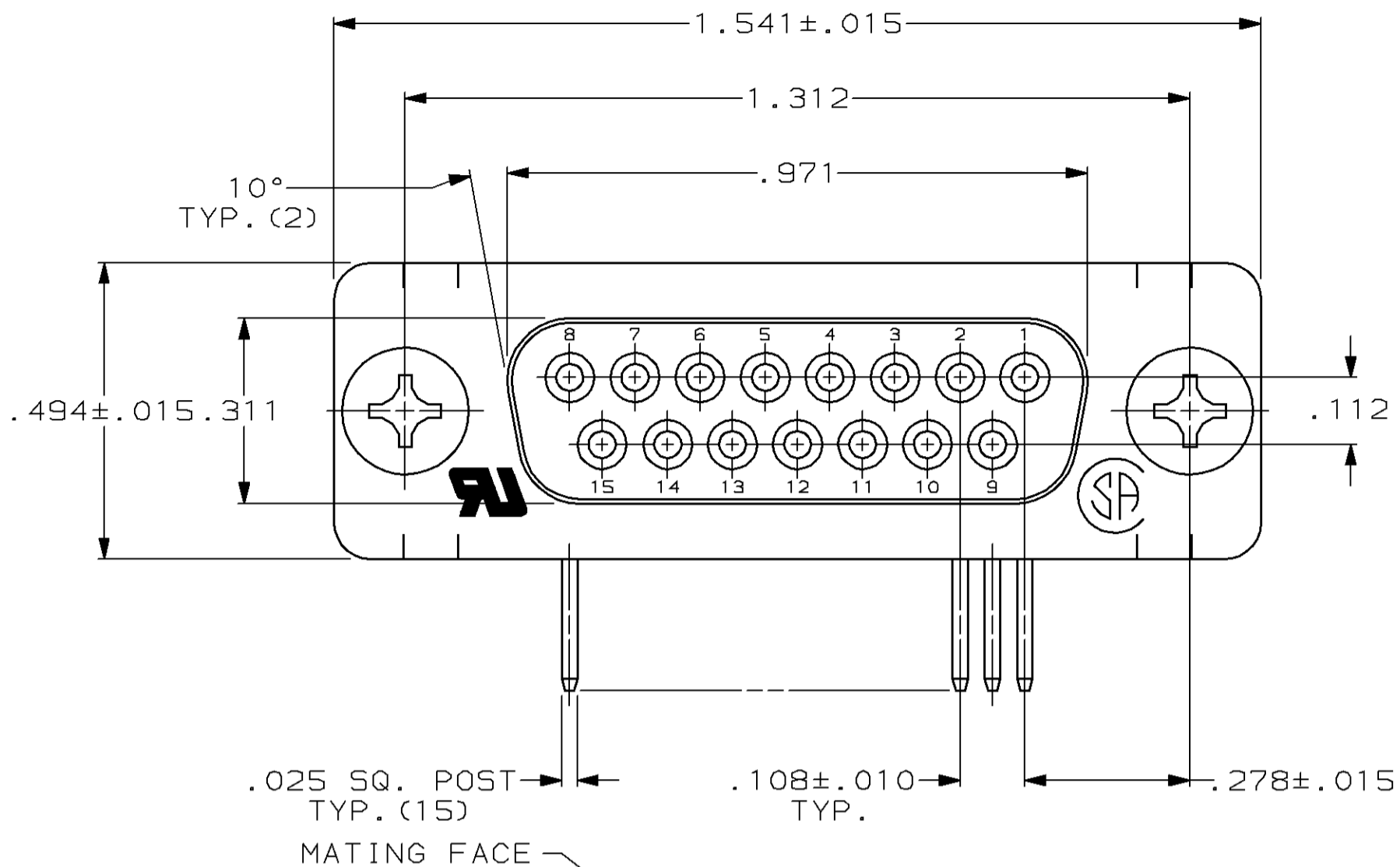
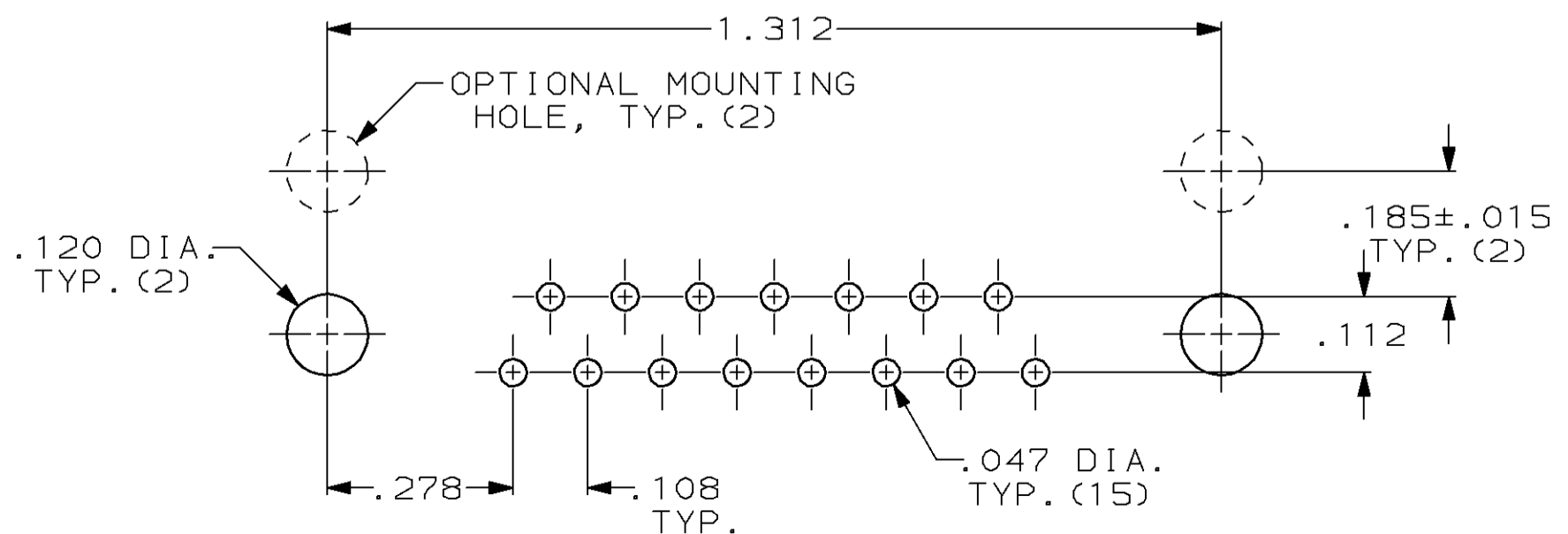
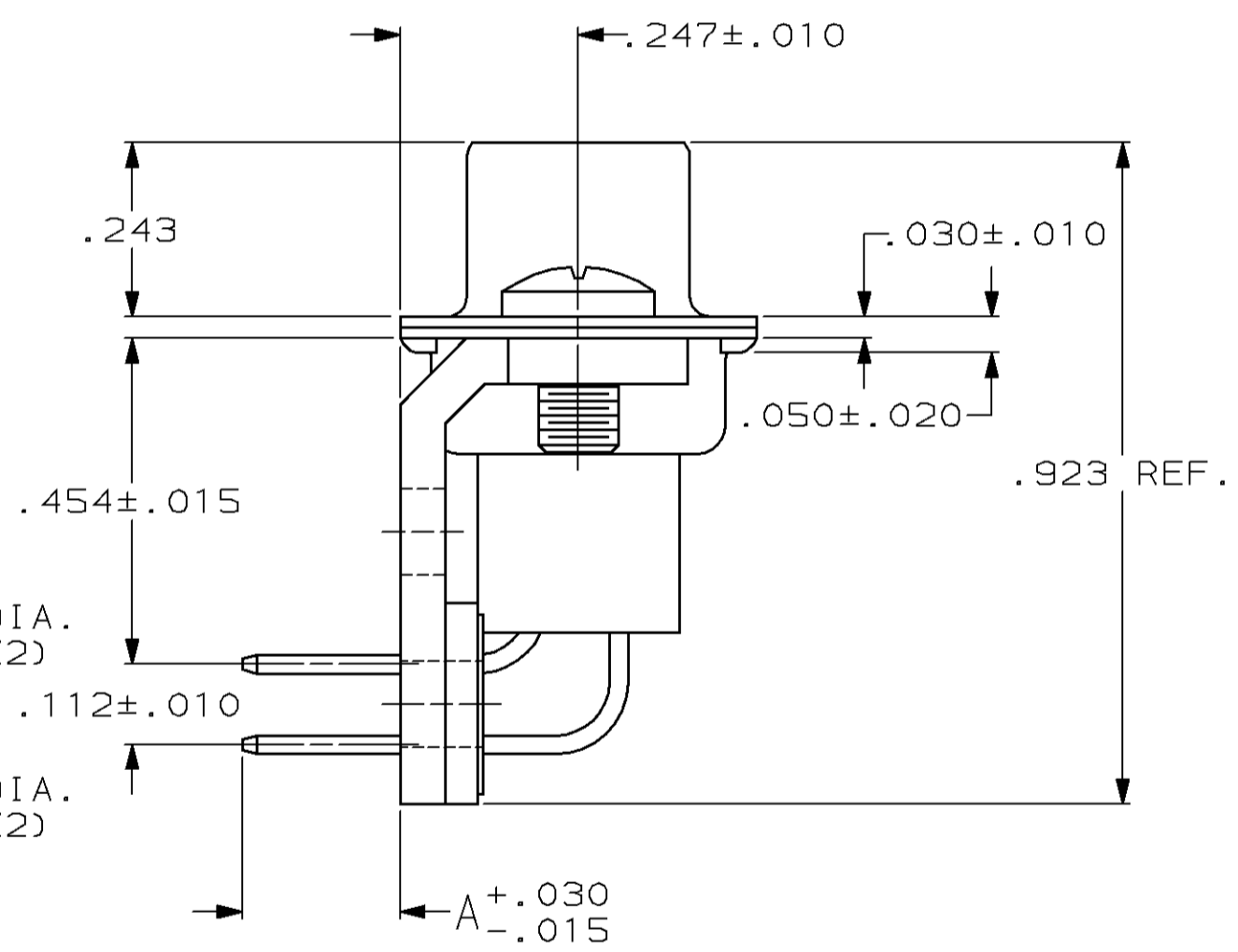
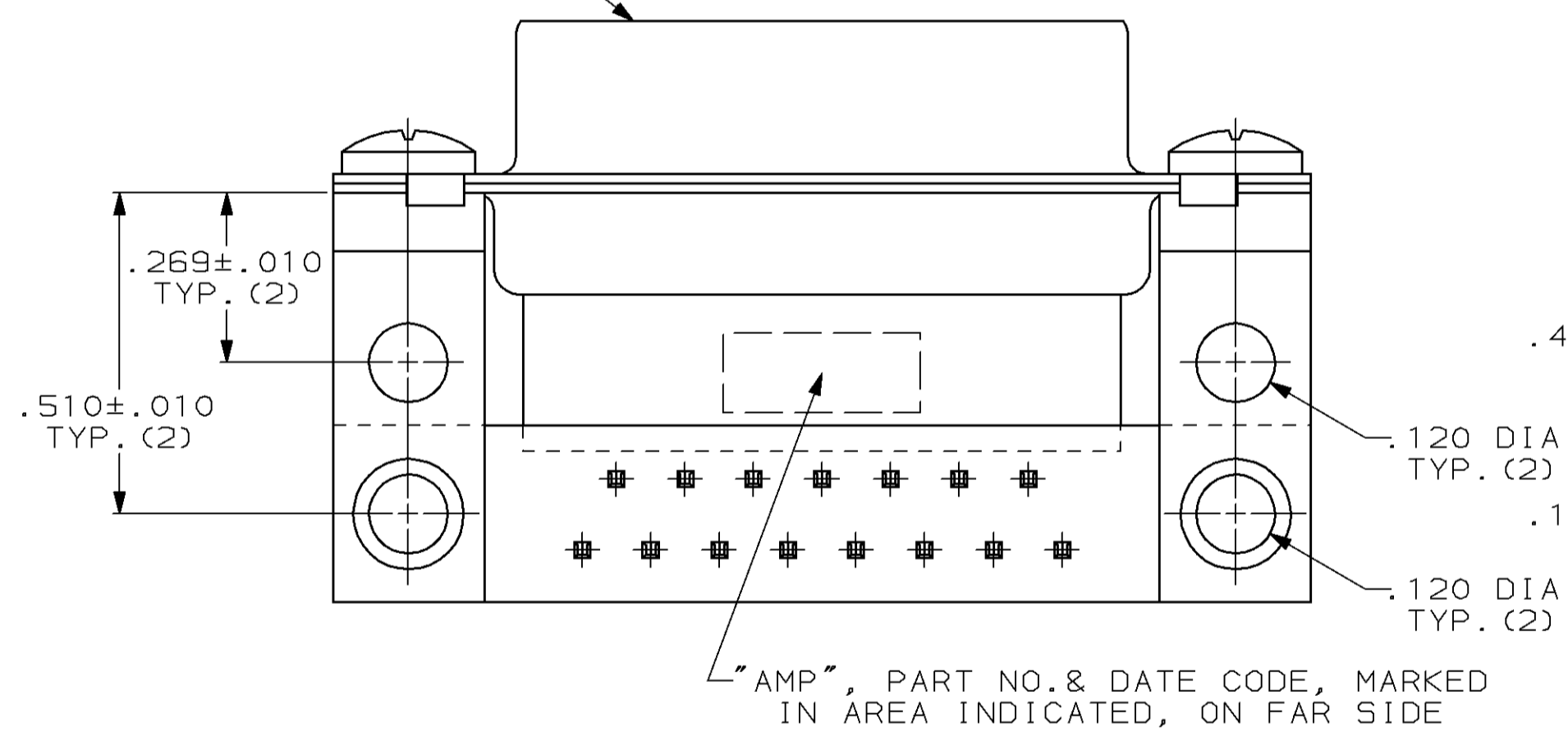


THIS DRAWING IS UNPUBLISHED. RELEASED FOR PUBLICATION  
 BY AMP INCORPORATED. ALL RIGHTS RESERVED.

Loc		Dist		REVISIONS			
P	LTR	DESCRIPTION	DATE	DWN	APVD		
BD	77						
	E	REV PER ECN BD3132	05 SEP 89	-	-		
	F	SUPSD -1 PER EC 0020-423-95	22 AUG 95	CR	RT		
	G	SUPSD -3 PER EC 0020-570-96	28 FEB 97	DH	RT		



1. CONNECTOR MATES WITH ANY 15 POS. PLUG IN AMPLIMITE SERIES & COMPLIES WITH AMP SPEC. 108-40,005 WHERE APPLICABLE.
2. FLAME RETARDANT 94V-0 RATED THERMOPLASTIC; COLOR: BLACK.
3. STEEL PER ASTM A109.
4. PHOS. BRONZE PER QQ-B-750.
5. TIN PLATING PER MIL-T-10727, GOLD PLATING PER MIL-G-45204, NICKEL PLATING PER QQ-N-290.
6. TIN PLATED.
7. GOLD FLASH FOR A LENGTH OF .100 MINIMUM FROM MATING END, .000100 MINIMUM TIN-LEAD ON OPPOSITE END, BOTH OVER .000050 MINIMUM NICKEL.
8. .000030 MINIMUM GOLD FOR A LENGTH OF .100 MINIMUM FROM MATING END, .000100 MINIMUM TIN-LEAD ON OPPOSITE END, BOTH OVER .000050 MINIMUM NICKEL.



P.C. BOARD MOUNTING DIMENSIONS

	.125	8	745439-4
SUPSD BY 745439-4	.125	7	745439-3
	.220	8	745439-2
SUPSD BY 745439-2	.220	7	745439-1
	A	CONTACT FINISH	PART NUMBER

THIS DRAWING IS A CONTROLLED DOCUMENT FOR AMP INCORPORATED. IT IS SUBJECT TO CHANGE AND THE CONTROLLING ENGINEERING ORGANIZATION SHOULD BE CONTACTED FOR THE LATEST REVISION.		DWN J. GERACE 26 DEC 83	AMP Incorporated Harrisburg, PA 17105-3608	
DIMENSIONS: INCHES		CHK P. SWEIGARD 15 MAR 84	NAME RECEPTACLE ASSY, SIZE 2, 15 POS, RIGHT ANGLE, .454 SERIES, .025 SQ POSTS, AMPLIMITE HDP	
TOLERANCES UNLESS OTHERWISE SPECIFIED:		APVD J. ASSINI 15 MAR 84	SIZE A2	
0 PLC ±		PRODUCT SPEC	CAGE CODE 00779	
1 PLC ±		APPLICATION SPEC	DRAWING NO C=745439	
2 PLC ±			SCALE 4:1	
3 PLC ±.005			SHEET 1 OF 1	
4 PLC ±			REV G	
ANGLES ±2°		WEIGHT		
FINISH 2/3/4		CUSTOMER DRAWING		

745439