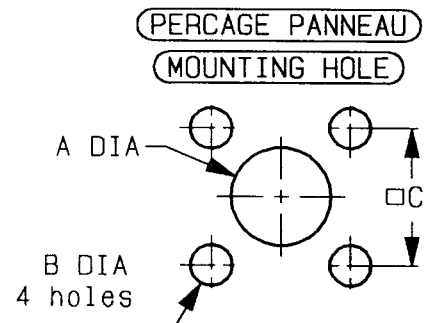
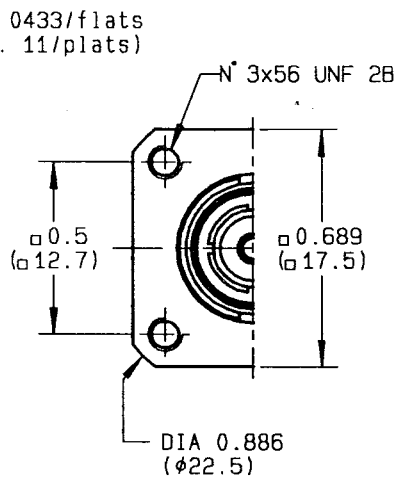
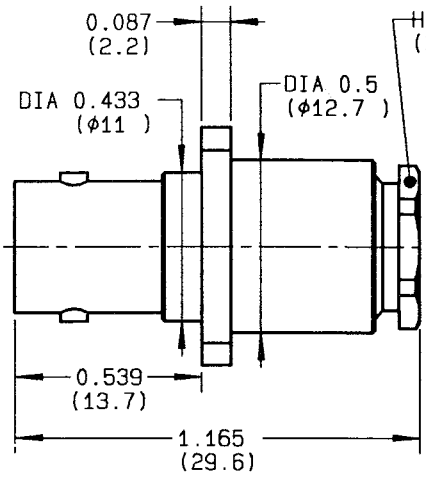


STRAIGHT FLANGE MOUNT CABLE JACK-CLAMP TYPE  
CABLE 2.6/50+75

Series : BNC

1 / 2



	MM		INCH	
	maxi	mini	maxi	mini
A	11.3	11.2	0.445	0.44
Ab	13	12.9	0.512	0.51
B	2.7	2.6	0.106	0.102
C	12.75	12.65	0.502	0.498

CABLES : RG174 RG179

CHARACTERISTICS

NOMINAL IMPEDANCE	50	Ω
FREQUENCY RANGE	0-4	GHz
TEMPERATURE RATING	-65/+165	°c
VSWR	TBD + 0 x f(GHz)	Maxi
RF INSERTION LOSS	TBD	√f(GHz) dB Maxi
VOLTAGE RATING	500	Vrms Max
DIELECTRIC WITHSTANDING VOLTAGE	1500	Vrms min
INSULATION RESISTANCE	5000	MΩ min
HERMETIC SEAL	-	cc/s Atm.cm3/s
LEAKAGE (pressurized only)	-	psi MPa
WEIGHT	0	Oz g

STANDARDISATION	-
CABLE RETENTION	5.7 110 N
CENTER CONTACT RETENTION	-
Axial force - mating end	6.11 27.2 N
Axial force - opposite end	5.11 27.2 N
Torque (Min)	0 NA In.h.oz cm.N
RECOMMENDED TORQUES	-
Rating	C NA Inch.lb cm.N
Panel nut	0 NA Inoh.lb cm.N
Clamp nut	39.82 450 Inon.io cm.N

CONSTRUCTION

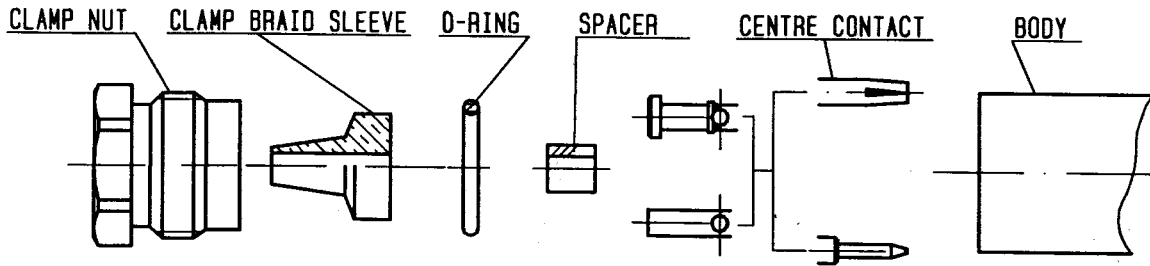
CONNECTOR PARTS	MATERIALS	FINISH
BODY	BRASS	NICKEL
OUTER CONTACT	BRASS	NICKEL
CENTER CONTACT	BERYLLIUM COPPER	GOLD
INSULATOR	PTFE	-
-	-	-
-	-	-
-	-	-
-	-	-
-	-	-

ISSUE	REVISION No	DESCRIPTION	BY	DATE
-	-	-	-	-
-	-	-	-	-
-	-	-	-	-
-	-	-	-	-

Initiated on 04/02/92  
Approval by BAFFERT

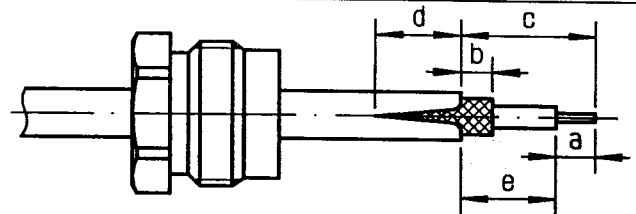
The information given here is subject to change without notice. Design changes may be in order to improve the product.





①

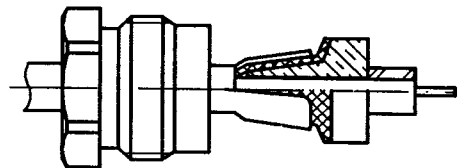
Slide clamp nut onto cable .  
Strip the cable .  
Cut the jacket ( 2 slots )  
apart if necessary .



Stripping	a	b	c	d	e
inch	0.157	0.079	0.354	0.079	0.197
mm	4	2	9	2	5

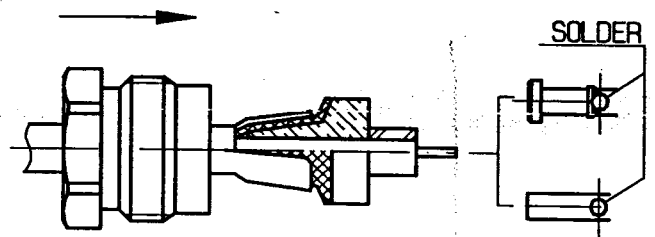
②

Slide the clamp braid sleeve between  
cable dielectric and braid .  
Cut the braid flush with the clamp  
braid sleeve .  
Slide the spacer .



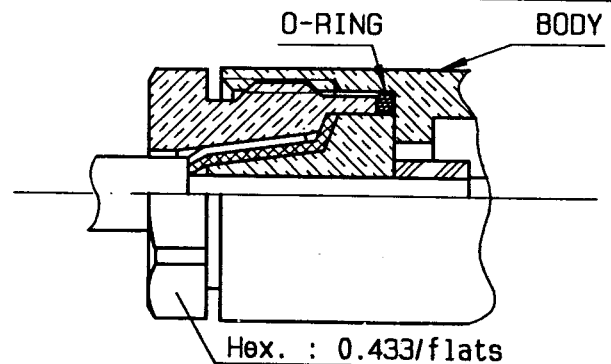
③

Solder the cable inner conductor into  
centre contact .  
Slide the back nut over the clamp  
assembly .



④

Mount the gasket into the connector .  
Screw sub-assembly into the connector  
body .  
( recommended coupling torque 39.82 in.lb )



4112 9211