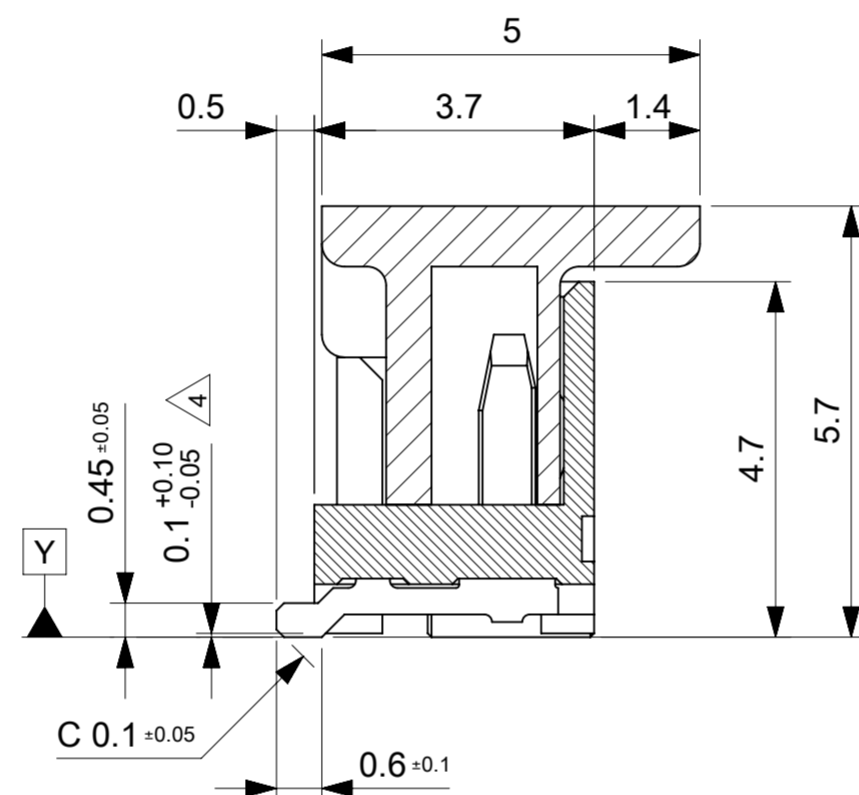
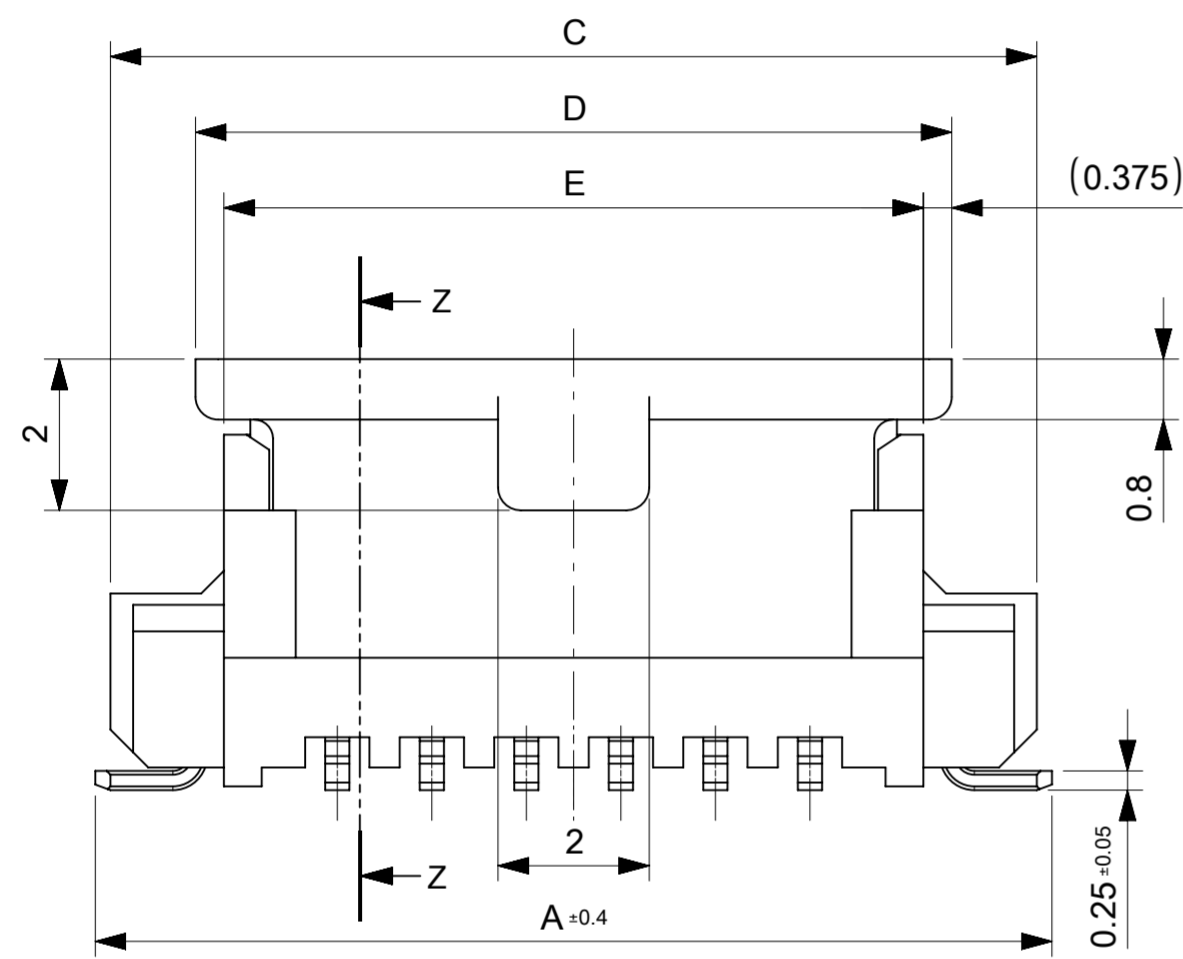
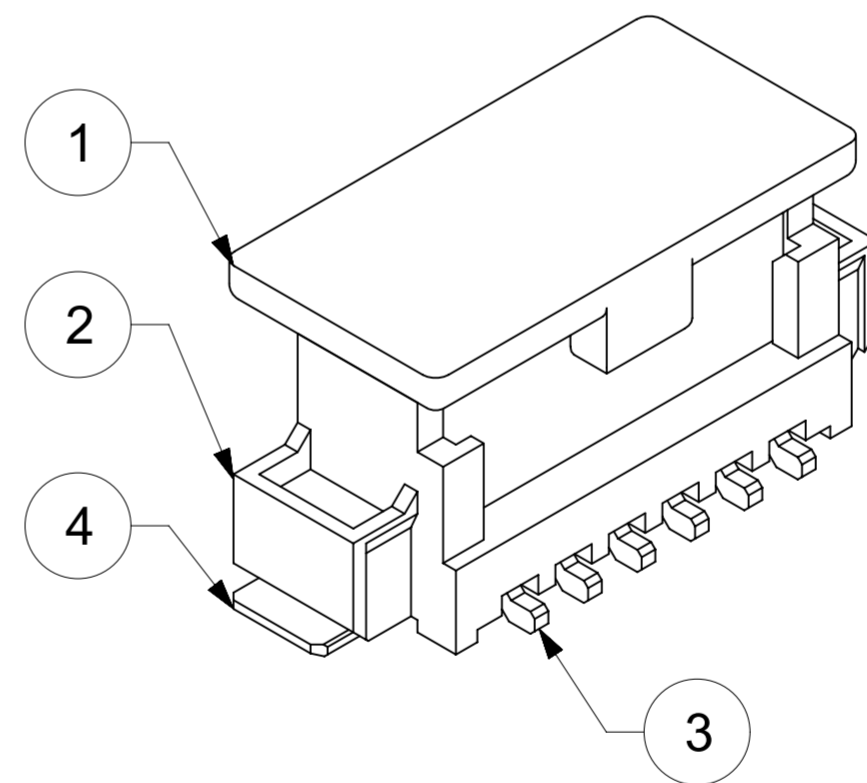


NOTES

- ① 材料および仕上げ (めっき仕様) : TABLE 1参照
MATERIAL AND FINISHES : SEE TABLE 1
- ② 適用製品及び各種仕様書はSHEET 4を参照のこと
REFER TO SHEET 4 ABOUT APPLICABLE PRODUCTS AND VARIOUS SPECIFICATIONS
- 3. 梱包形態 : SHEET 3 参照
PACKAGING INFORMATION : SEE SHEET 3
- ④ 水平面上においてのハウジング底面 Y とソルダーテール及びネイル底面とのズレ量を示す。
MISALIGNMENT OF SOLDER TAIL AND NAIL FROM Y
- 5. 端子テール部およびネイルの平坦度は0.1以下
COPLANARITY OF TAIL AND NAIL TO BE 0.1 MAX.
- ⑥ ロックの数は、2,3極は1ロック、4極以上は2ロック。
LOCKING WINDOW: ONE PLACE FOR 2 AND 3 CIRCUIT, AND TWO PLACES FOR MORE THAN 4 CIRCUIT.
- 7. 本製品は錫めっき品です。金めっき品は533980002-SDをご参照ください
THIS PRODUCT IS TIN PLATING TYPE.
PLEASE REFER TO 533980002-SD FOR GOLD PLATING TYPE



SECTION Z-Z



① TABLE 1

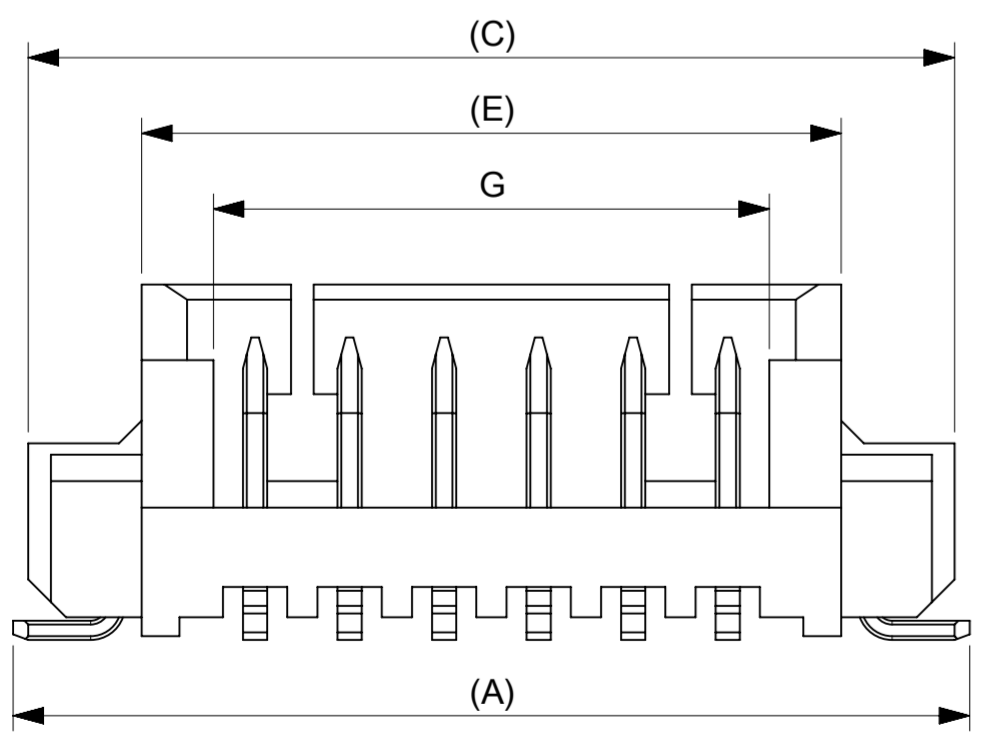
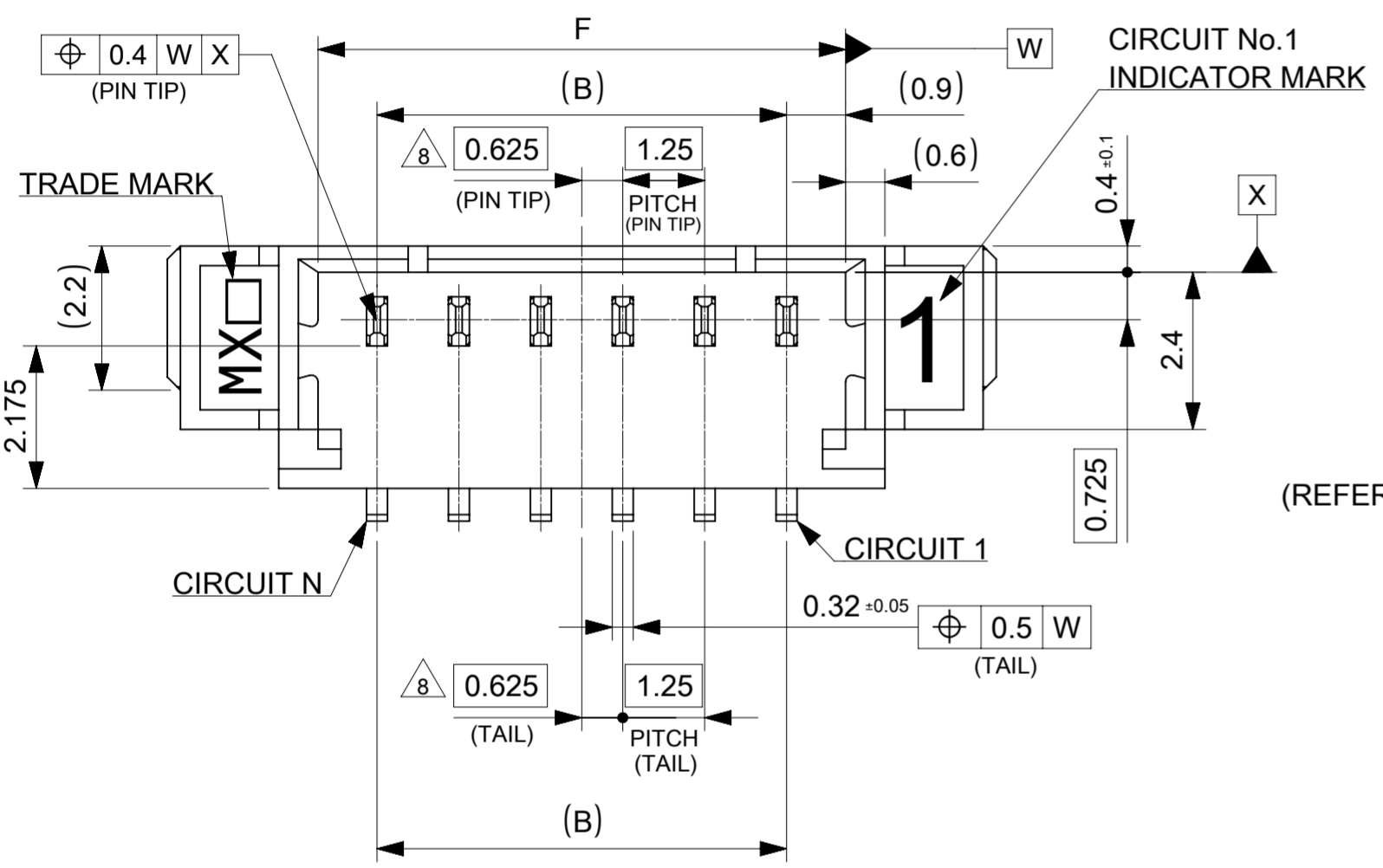
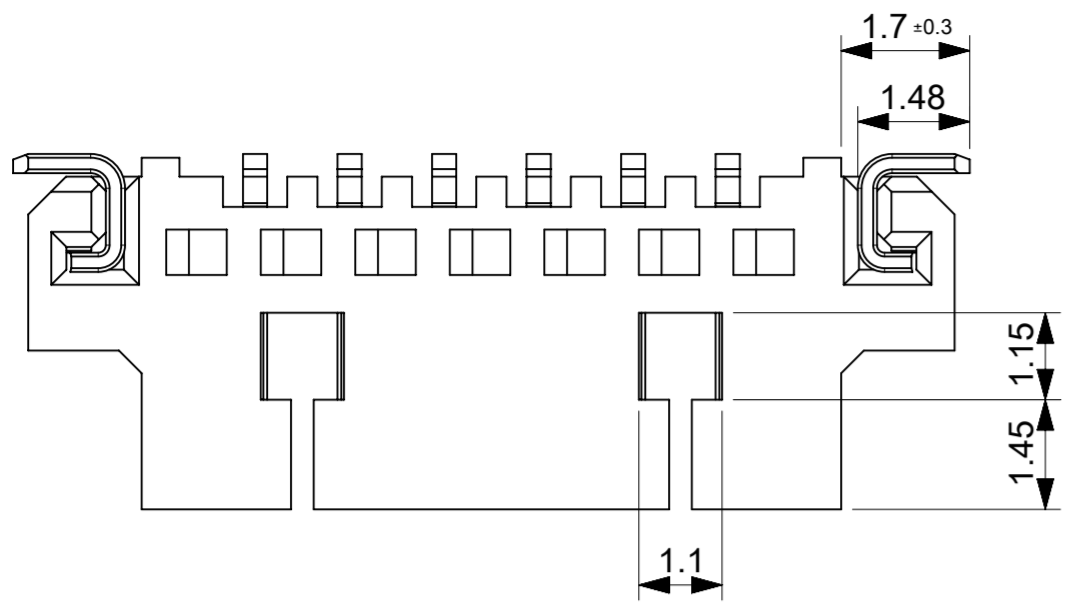
番号 NO.	部品 PART	材質 MATERIAL	
①	吸着キャップ VACUUM CAP	ポリアミド(PA), UL94V-0, GLASS-FILLED, 色: ナチュラル(ベージュ) POLYAMIDE(PA), UL94V-0, GLASS-FILLED, COLOR: NATURAL(BEIGE)	
②	ハウジング HOUSING	ポリアミド(PA), UL94V-0, GLASS-FILLED, 色: ナチュラル(ベージュ) POLYAMIDE(PA), UL94V-0, GLASS-FILLED, COLOR: NATURAL(BEIGE)	
③	ターミナル TERMINAL	母材 MATERIAL	りん青銅 PHOSPHOR BRONZE
		コンタクト部 CONTACT AREA	無光沢錫めっき 1.0 MICROMETER MINIMUM
		テール部 TAIL AREA	MATTE TIN PLATING 1.0 MICROMETER MINIMUM
④	ネイル NAIL	下地めっき UNDER PLATING	ニッケルめっき 1.0 MICROMETER MINIMUM NICKEL PLATING 1.0 MICROMETER MINIMUM
		母材 MATERIAL	りん青銅 PHOSPHOR BRONZE
		テール部 TAIL AREA	無光沢錫めっき 1.0 MICROMETER MINIMUM MATTE TIN PLATING 1.0 MICROMETER MINIMUM
		下地めっき UNDER PLATING	ニッケルめっき 1.0 MICROMETER MINIMUM NICKEL PLATING 1.0 MICROMETER MINIMUM

18.6	19.3	20.5	21.25	23.5	17.5	23.9	15
17.35	18.05	19.25	20	22.25	16.25	22.65	14
16.1	16.8	18	18.75	21	15	21.4	13
14.85	15.55	16.75	17.5	19.75	13.75	20.15	12
13.6	14.3	15.5	16.25	18.5	12.5	18.9	11
12.35	13.05	14.25	15	17.25	11.25	17.65	10
11.1	11.8	13	13.75	16	10	16.4	9
9.85	10.55	11.75	12.5	14.75	8.75	15.15	8
8.6	9.3	10.5	11.25	13.5	7.5	13.9	7
7.35	8.05	9.25	10	12.25	6.25	12.65	6
6.1	6.8	8	8.75	11	5	11.4	5
4.85	5.55	6.75	7.5	9.75	3.75	10.15	4
3.6	4.3	5.5	6.25	8.5	2.5	8.9	3
2.35	3.05	4.25	5	7.25	1.25	7.65	2
G	F	E	D	C	B	A	極数 CIRCUIT SIZE

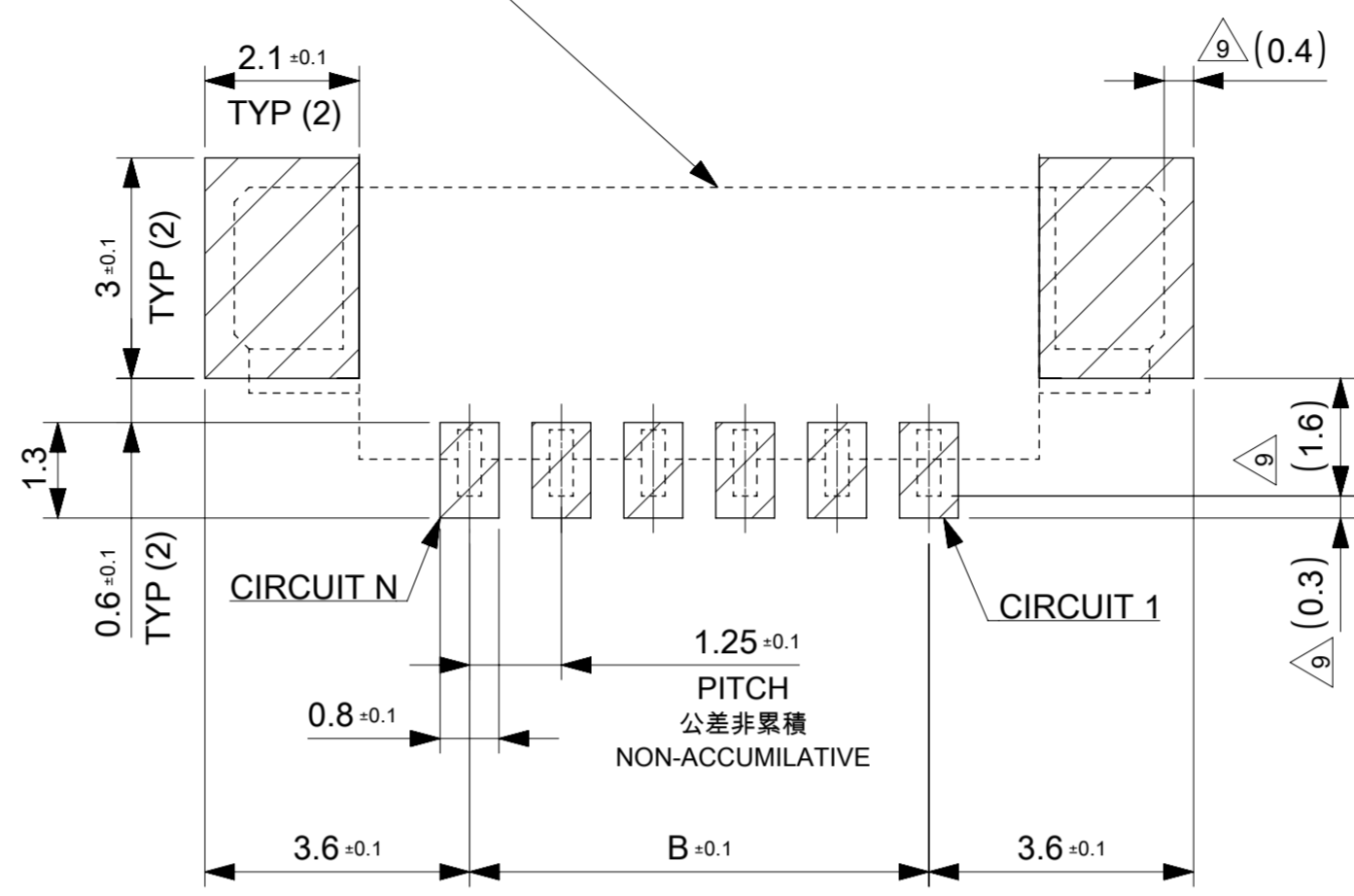
THIS DRAWING CONTAINS INFORMATION THAT IS PROPRIETARY TO MOLEX ELECTRONIC TECHNOLOGIES, LLC AND SHOULD NOT BE USED WITHOUT WRITTEN PERMISSION

DIMENSION UNITS mm	SCALE NTS	CURRENT REV DESC: REVISED		molex		
GENERAL TOLERANCES (UNLESS SPECIFIED)		EC NO: 698818				
ANGULAR TOL ± 3.0°	4 PLACES ± 0.2	DRWN: HHUSSIN	2022/02/16	PRODUCT CUSTOMER DRAWING		
3 PLACES ± 0.2	2 PLACES ± 0.2	CHK'D: SAKIYAMA	2022/04/19	DOCUMENT NUMBER		
1 PLACE ± 0.2	0 PLACES ± 0.2	APPR: AIDA	2022/04/19	533980001-SD		
DRAFT WHERE APPLICABLE MUST REMAIN WITHIN DIMENSIONS		INITIAL REVISION:		DOC TYPE	DOC PART	REVISION
THIRD ANGLE PROJECTION		DRWN: SOBARA01	2019/04/10	PSD	000	C
DRAWING		APPR: SAKIYAMA	2019/04/25	SHEET NUMBER		
A2-SIZE	SERIES 53398	MATERIAL NUMBER SEE CHART		CUSTOMER GENERAL		1 OF 4

キャップを外した状態
WITHOUT CAP

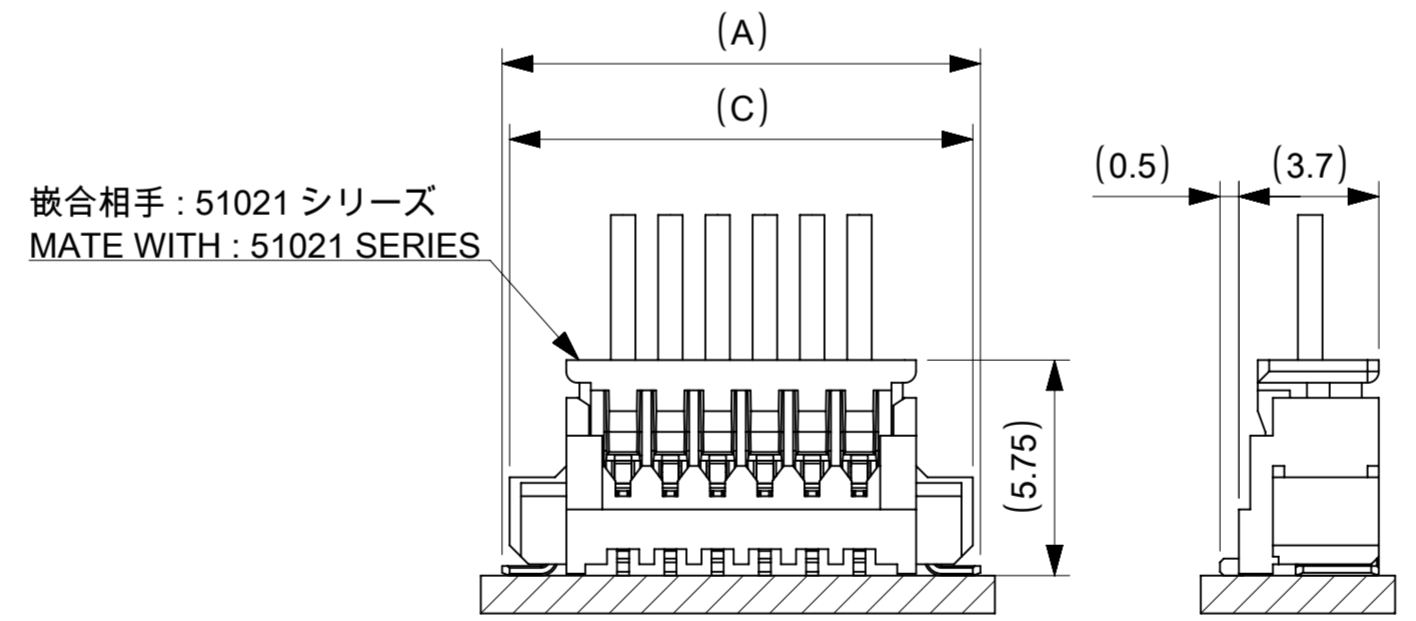


製品輪郭線 (キャップ除く)
CONNECTOR OUTLINE (WITHOUT CAP)



推奨基板レイアウト
RECOMMENDED PCB PATTERN

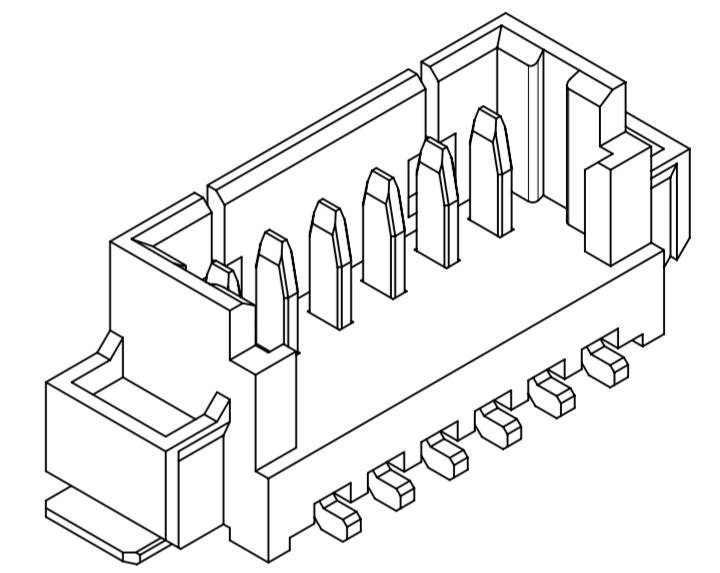
(参考: 基板厚 1.0 MILLIMETER, メタルマスク厚さ: 0.15 MILLIMETER, マスク開口率: 100%)
(REFERENCE: PCB THICKNESS 1.0 MILLIMETER, STENCIL THICKNESS: 0.15 MILLIMETER, APERTURE: 100%)



嵌合図
MATED CONNECTORS

NOTES

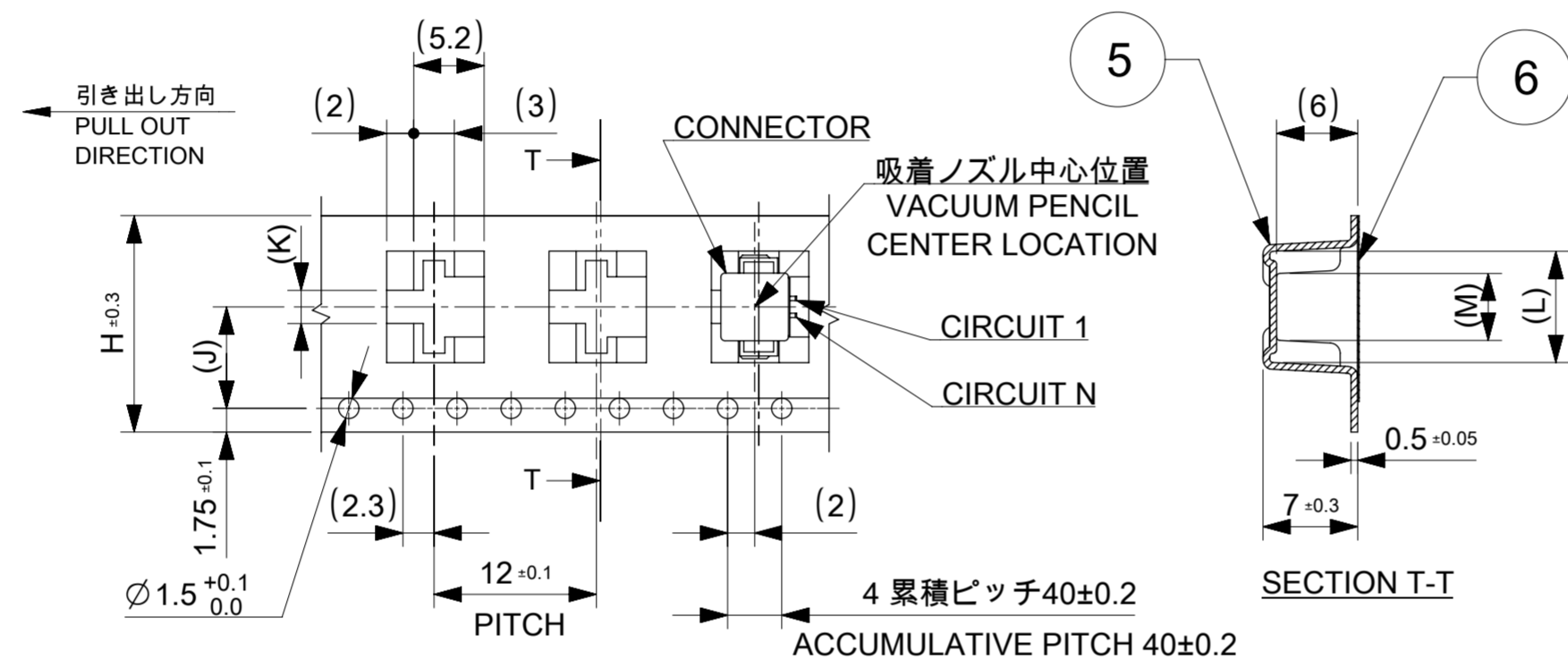
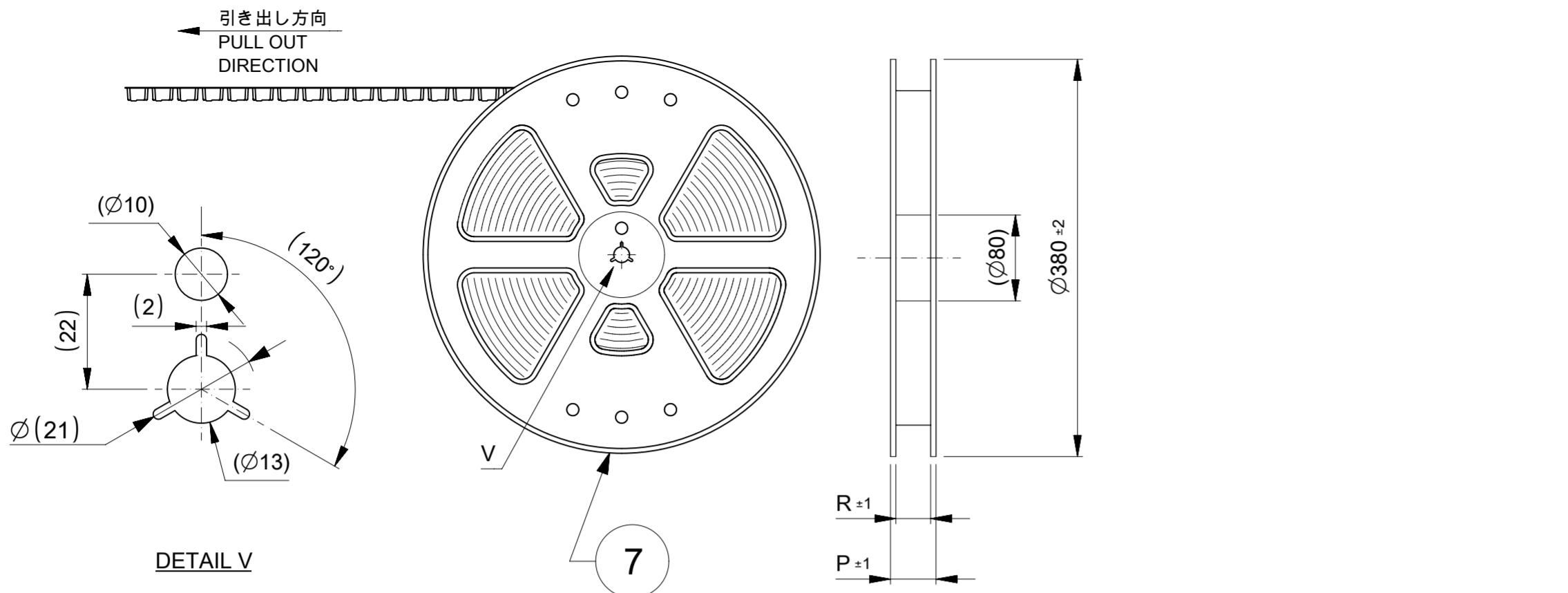
- △8 偶数極のみに適用
APPLY TO EVEN CIRCUIT PRODUCTS.
- △9 製品輪郭線からパッドまでの寸法を示す。
DIMENSIONS FROM CONNECTOR OUTLINE TO PAD
- △10 製品の基板実装部以外の金属露出部と基板パターンとの干渉、および製品と基板上の突起物との干渉が生じないようにご配慮をお願いいたします。
PLEASE TAKE CARE NOT TO CAUSE INTERFERENCE BETWEEN EXPOSED METAL PARTS EXCLUDING MOUNTING PORTION OF PRODUCT AND PWB PATTERN, AND INTERFERENCE BETWEEN PRODUCT AND PROTRUSIONS ON PWB.



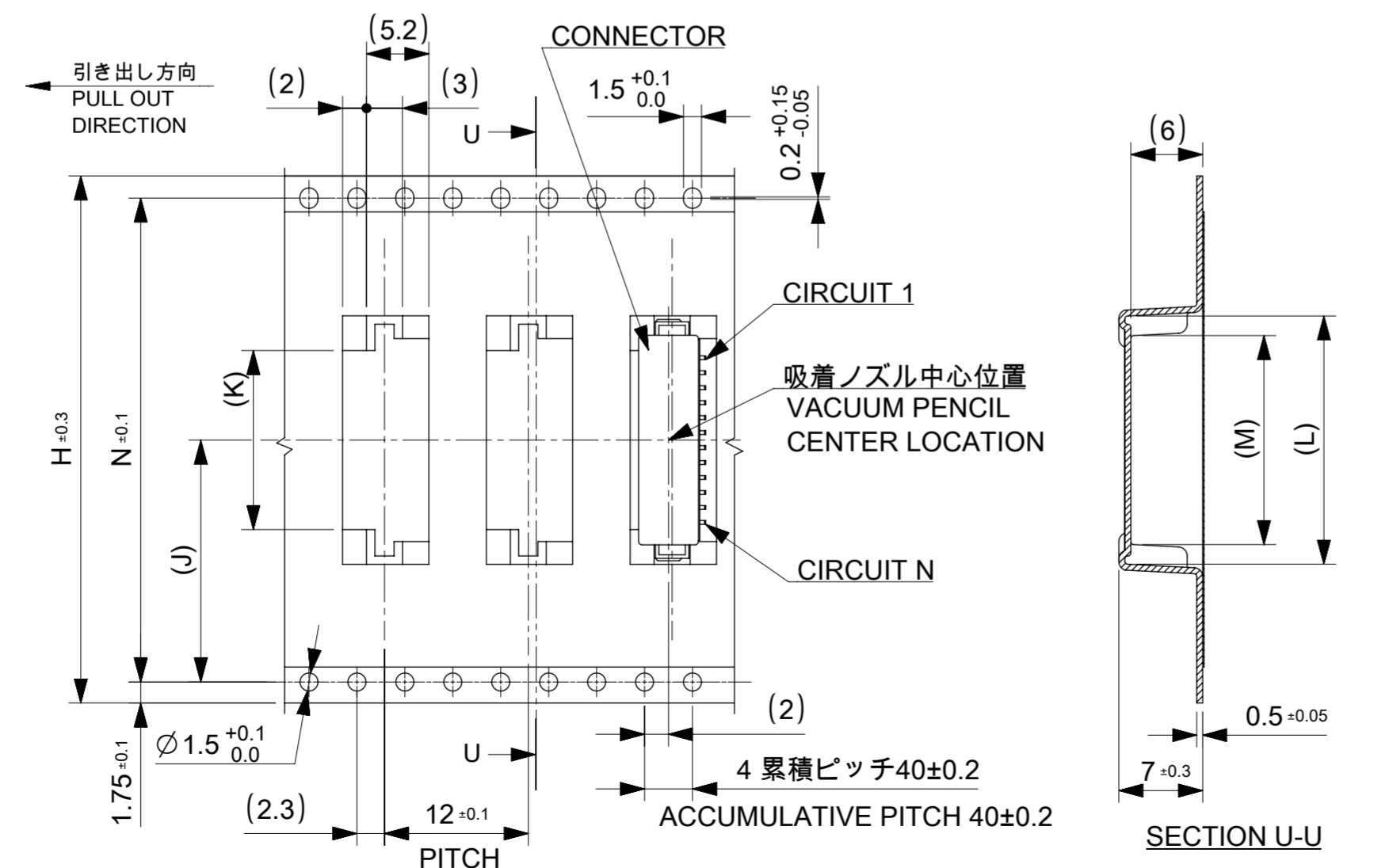
18.6	19.3	20.5	21.25	23.5	17.5	23.9	15
17.35	18.05	19.25	20	22.25	16.25	22.65	14
16.1	16.8	18	18.75	21	15	21.4	13
14.85	15.55	16.75	17.5	19.75	13.75	20.15	12
13.6	14.3	15.5	16.25	18.5	12.5	18.9	11
12.35	13.05	14.25	15	17.25	11.25	17.65	10
11.1	11.8	13	13.75	16	10	16.4	9
9.85	10.55	11.75	12.5	14.75	8.75	15.15	8
8.6	9.3	10.5	11.25	13.5	7.5	13.9	7
7.35	8.05	9.25	10	12.25	6.25	12.65	6
6.1	6.8	8	8.75	11	5	11.4	5
4.85	5.55	6.75	7.5	9.75	3.75	10.15	4
3.6	4.3	5.5	6.25	8.5	2.5	8.9	3
2.35	3.05	4.25	5	7.25	1.25	7.65	2
G	F	E	D	C	B	A	極数 CIRCUIT SIZE

THIS DRAWING CONTAINS INFORMATION THAT IS PROPRIETARY TO MOLEX ELECTRONIC TECHNOLOGIES, LLC AND SHOULD NOT BE USED WITHOUT WRITTEN PERMISSION

DIMENSION UNITS	SCALE	CURRENT REV DESC: REVISED	
mm	NTS		
GENERAL TOLERANCES (UNLESS SPECIFIED)			
ANGULAR TOL	± 3.0°	EC NO: 698818	
4 PLACES	± 0.2	DRWN: HHUSSIN	2022/02/16
3 PLACES	± 0.2	CHK'D: SAKIYAMA	2022/04/19
2 PLACES	± 0.2	APPR: AIDA	2022/04/19
1 PLACE	± 0.2	INITIAL REVISION:	
0 PLACES	± 0.2	DRWN: SOBARA01	2019/04/10
		APPR: SAKIYAMA	2019/04/25
DRAFT WHERE APPLICABLE MUST REMAIN WITHIN DIMENSIONS		THIRD ANGLE PROJECTION	DRAWING SERIES
		A2-SIZE	53398
DOCUMENT STATUS		MATERIAL NUMBER	CUSTOMER
P1	RELEASE DATE 2022/04/19 08:41:26	SEE CHART	GENERAL
		DOCUMENT NUMBER	DOC TYPE DOC PART REVISION
		533980001-SD	PSD 000 C
		SHEET NUMBER	
		2 OF 4	



16mm幅(2極用) および24mm幅(3~8極用)キャリアテープ
16mm (FOR 2 CIRCUIT) OR 24mm (FOR 3-8 CIRCUIT) WIDTH CARRIER TAPE



32mm幅(9~11極用) および44mm幅(12~15極用)キャリアテープ
32mm (FOR 9-11 CIRCUIT) OR 44mm (FOR 12-15 CIRCUIT) WIDTH CARRIER TAPE

NOTES

- 梱包数量 : 1000個/リール
NUMBER OF CONNECTOR : 1000PCS / REEL
 - リードテープ長さ
LEAD TAPE LENGTH
-
- 材料 : TABLE 2 参照
MATERIAL : REFER TO TABLE 2
 - トップテープの剥離強度はIEC60286-3に準拠
TOP TAPE PELING FORCE IS DEFINED BY IEC60286-3.
 - 本製品は乾燥剤入り、ハイバリア梱包仕様による納品となります。
THIS PRODUCT IS DELIVERED IN A HIGH BARRIER PACKAGE WITH DESICCANT.
 - 梱包仕様書 : SPK-53398-002
PACKAGING SPECIFICATION : SPK-53398-002

TABLE 2

番号 NO.	部品 PART	材質 MATERIAL
⑤	キャリアテープ CARRIER TAPE	ポリプロピレン(PP) POLYPROPYLENE(PP)
⑥	トップテープ TOP TAPE	ポリエチレン (PE)、その他 POLYETHYLENE (PE), ETC
⑦	リール REEL	ポリスチレン(PS) <リサイクル材を含む> POLYSTYRENE(PS) < RECYCLE MATERIAL CONTAINED >

17 発注番号
ORDER NUMBER
53398**67

極数
CIRCUIT

533981567	15
533981467	14
533981367	13
533981267	12
533981167	11
533981067	10
533980967	9
533980867	8
533980767	7
533980667	6
533980567	5
533980467	4
533980367	3
533980267	2
発注番号 ORDER NO.	極数
PACKAGING : EMBOSSED TAPE AND REEL	CIRCUIT

THIS DRAWING CONTAINS INFORMATION THAT IS PROPRIETARY TO MOLEX ELECTRONIC TECHNOLOGIES, LLC AND SHOULD NOT BE USED WITHOUT WRITTEN PERMISSION

DIMENSION UNITS	SCALE	CURRENT REV	DESC	REVISED
mm	NTS			

GENERAL TOLERANCES (UNLESS SPECIFIED)

ANGULAR TOL	± 3.0°
4 PLACES	± 0.2
3 PLACES	± 0.2
2 PLACES	± 0.2
1 PLACE	± 0.2
0 PLACES	± 0.2

EC NO: 698818
DRWN: HHUSSIN 2022/02/16
CHK'D: SAKIYAMA 2022/04/19
APPR: AIDA 2022/04/19

INITIAL REVISION:
DRWN: SOBARA01 2019/04/10
APPR: SAKIYAMA 2019/04/25

DRAFT WHERE APPLICABLE MUST REMAIN WITHIN DIMENSIONS

THIRD ANGLE PROJECTION

DRAWING SERIES: A2-SIZE 53398

MATERIAL NUMBER: SEE CHART

CUSTOMER: GENERAL

SHEET NUMBER: 3 OF 4

moLEX

PICOBLADE 1.25
SMT VERTICAL TYPE WITH VACUUM CAP

PRODUCT CUSTOMER DRAWING

DOCUMENT NUMBER: 533980001-SD

DOC TYPE: PSD

DOC PART: 000

REVISION: C

△ 適合製品および各種仕様書
APPLICABLE PRODUCTS AND SPECIFICATIONS

梱包仕様書 PACKING SPECIFICATION		PART NUMBER 53398**67		SPECIFICATION NUMBER SPK-53398-002	
適合ハウジング APPLICABLE HOUSING		PART NUMBER 51021**00			
適合圧着端子 APPLICABLE TERMINAL	PLATING	TIN			
	PART NUMBER	500798*00	500588*00	500798001	500588001
	WIRE SIZE (AWG)	#26-28	#28-32	#26-28	#28-32
製品仕様書 PRODUCT SPECIFICATION		PS-51021-025 PS 001		510211124-PS PS 000	
アプリケーション仕様書 (取扱説明書) APPLICATION SPECIFICATION		510210000-AS PS 000			

THIS DRAWING CONTAINS INFORMATION THAT IS PROPRIETARY TO MOLEX ELECTRONIC TECHNOLOGIES, LLC AND SHOULD NOT BE USED WITHOUT WRITTEN PERMISSION									
DIMENSION UNITS mm	SCALE NTS	CURRENT REV DESC: REVISED			molex				
GENERAL TOLERANCES (UNLESS SPECIFIED)		EC NO: 698818							
ANGULAR TOL ± 3.0°	4 PLACES ± 0.2	DRWN: HHUSSIN	2022/02/16		PICOBLADE 1.25 SMT VERTICAL TYPE WITH VACUUM CAP				
3 PLACES ± 0.2	3 PLACES ± 0.2	CHK'D: SAKIYAMA	2022/04/19		PRODUCT CUSTOMER DRAWING				
2 PLACES ± 0.2	2 PLACES ± 0.2	APPR: AIDA	2022/04/19		DOCUMENT NUMBER				
1 PLACE ± 0.2	1 PLACE ± 0.2	INITIAL REVISION:			533980001-SD				
0 PLACES ± 0.2	0 PLACES ± 0.2	DRWN: SOBARA01	2019/04/10		DOC TYPE	DOC PART	REVISION	PSD 000 C	
DRAFT WHERE APPLICABLE MUST REMAIN WITHIN DIMENSIONS		THIRD ANGLE PROJECTION	DRAWING	SERIES	MATERIAL NUMBER	CUSTOMER	SHEET NUMBER		
			A2-SIZE	53398	SEE CHART	GENERAL	4 OF 4		