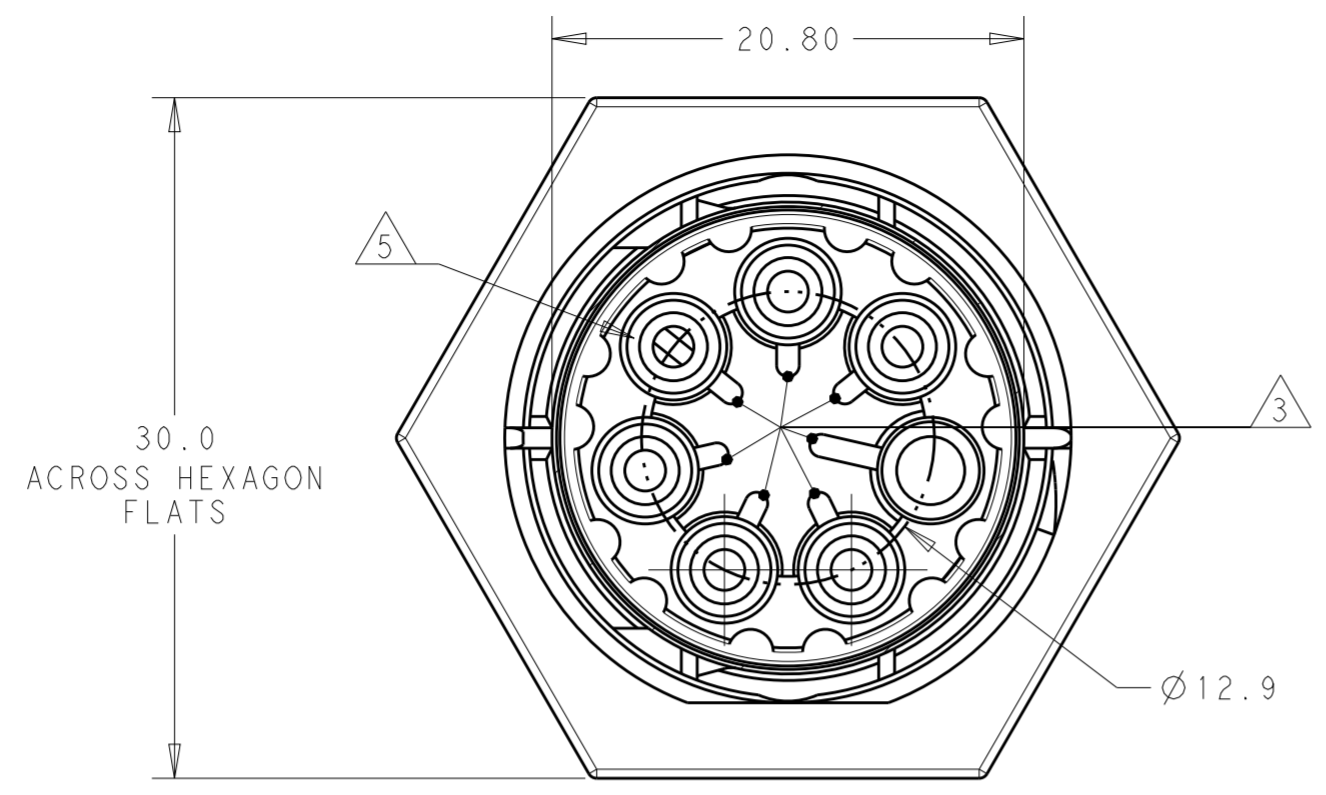


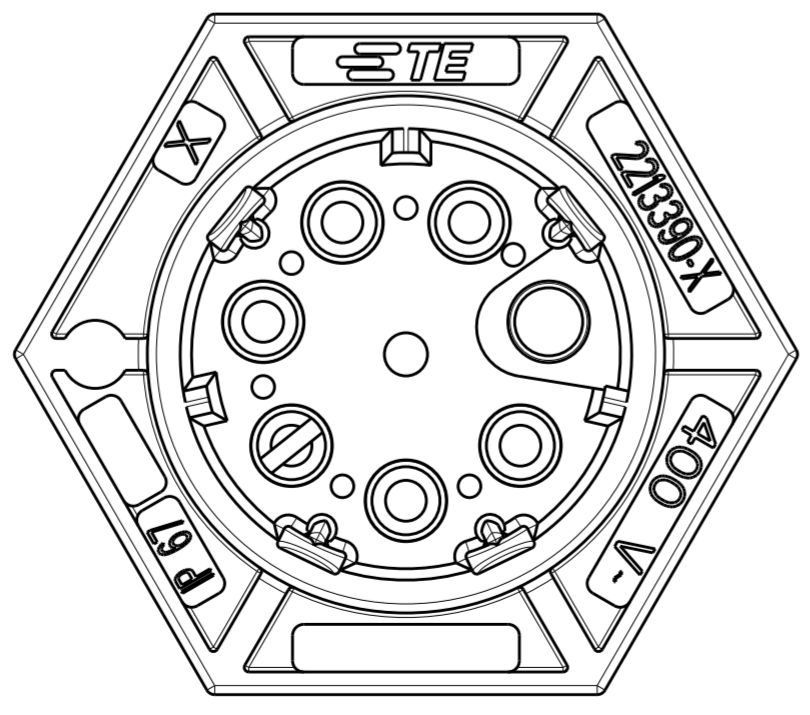
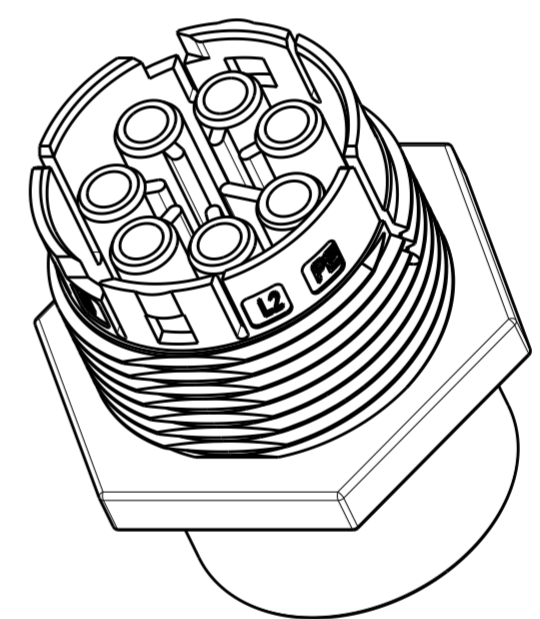
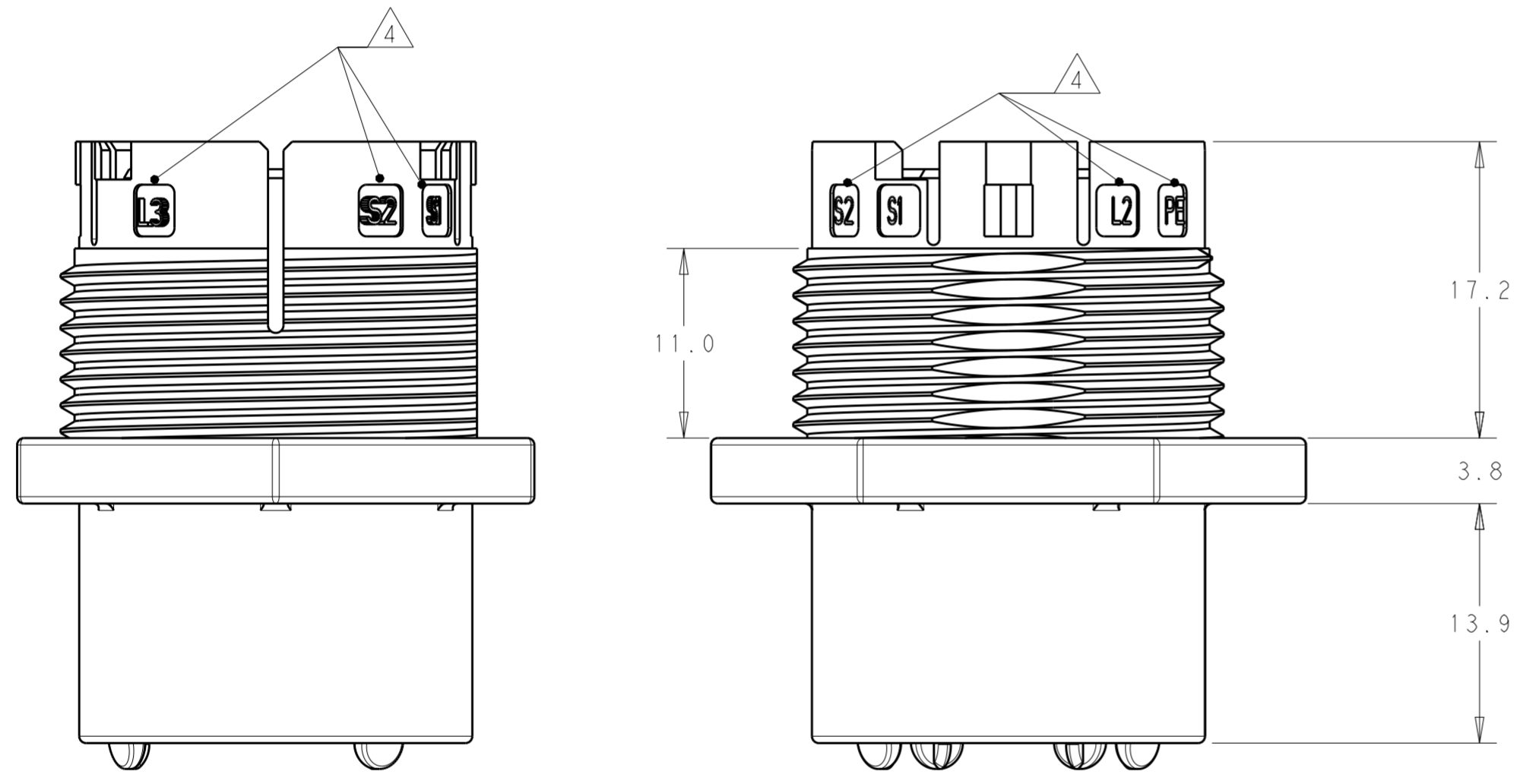
THIS DRAWING IS UNPUBLISHED. RELEASED FOR PUBLICATION 20  
 © COPYRIGHT 20 BY - ALL RIGHTS RESERVED.

REVISIONS				
P	LTR	DESCRIPTION	DATE	APVD
A		REVISED AS PER ECR-15-005925	21APR2015	RS JL
B		REVISED AS PER ECR-16-000859	08MAR2016	RS JL
B1		ECR-18-006945	03JUL2018	SR MZ



NOTES:

1. MATERIAL: GLASS FILLED PBT, COLOR: BLACK
2. MUST COMPLY WITH DIRECTIVE 2002/95/EC (ROHS)
3. ALL POLARIZATION KEYS SHOWN FOR REF ONLY.
4. CIRCUIT I.D.
5. CIRCUIT "L3" IS BLOCKED TO PREVENT CONTACT INSTALLATION.
6. THIS PRODUCT HAS NOT COMPLETED VALIDATION TESTING

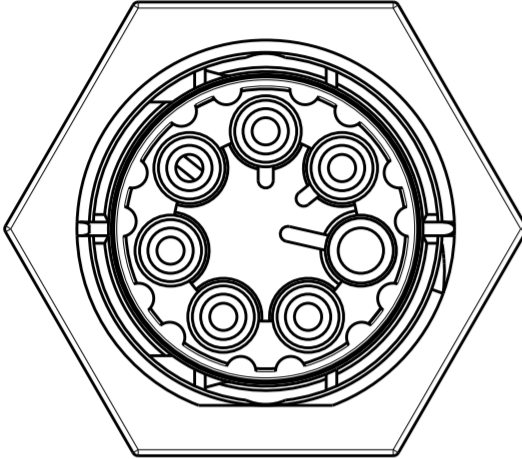
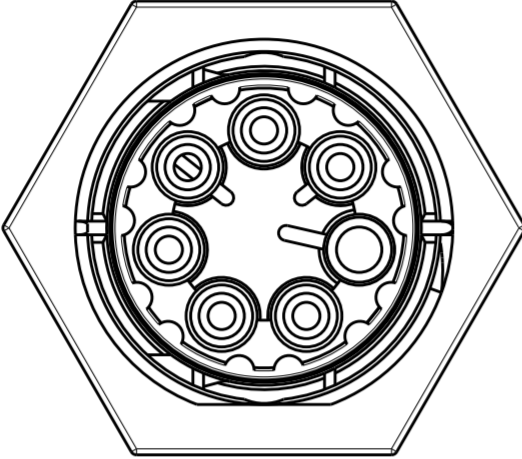
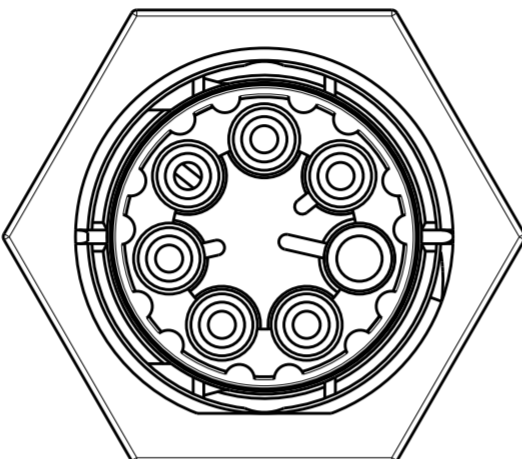
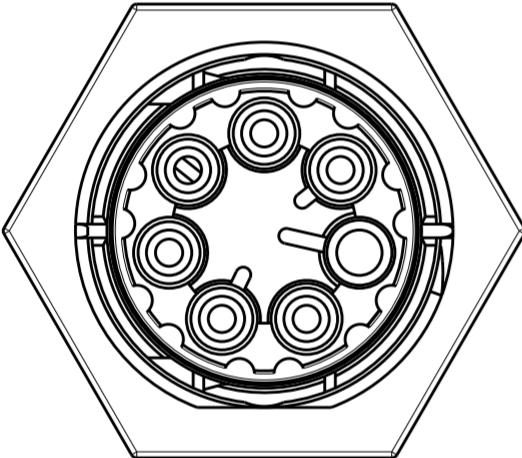
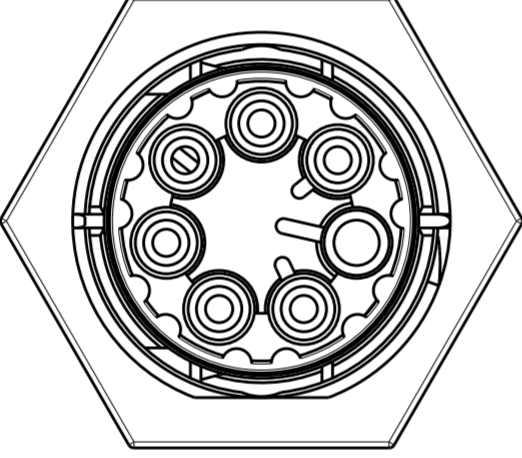


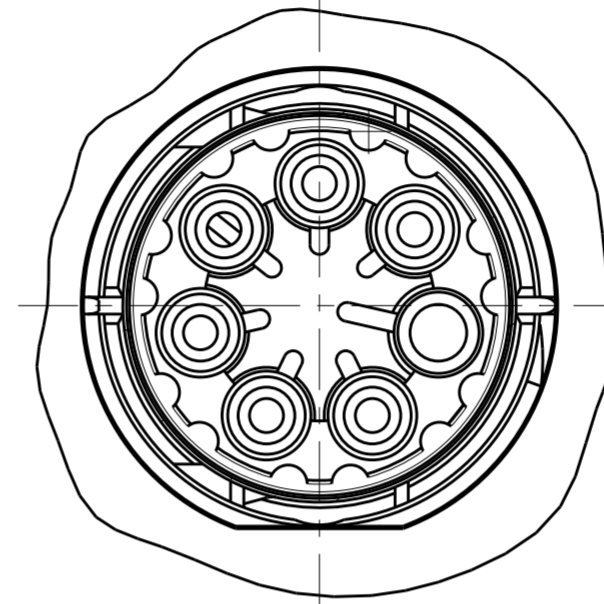
OBSOLETE	E	PANEL MT SKT. SEALED NECTOR M, 6 POLE	2213262-5
	D	PANEL MT SKT. SEALED NECTOR M, 6 POLE	2213262-4
	C	PANEL MT SKT. SEALED NECTOR M, 6 POLE	2213262-3
	B	PANEL MT SKT. SEALED NECTOR M, 6 POLE	2213262-2
	A	PANEL MT SKT. SEALED NECTOR M, 6 POLE	2213262-1
	POLARIZATION KEYING		DESCRIPTION

THIS DRAWING IS A CONTROLLED DOCUMENT.		DWN J. SHAEFFER 13NOV2013	<b>STE</b> TE Connectivity	
DIMENSIONS: mm		CHK M. LUKSIC 13NOV2013		
TOLERANCES UNLESS OTHERWISE SPECIFIED:		APVD M. LUKSIC 13NOV2013	NAME PANEL MOUNT, SOCKET; SEALED NECTOR M; 6 POLE	
0 PLC ±	1 PLC ±0.2	PRODUCT SPEC 108-133014	SIZE A2	CAGE CODE -
2 PLC ±0.13	3 PLC ±	APPLICATION SPEC 114-32111	DRAWING NO G-2213262	RESTRICTED TO -
4 PLC ±	ANGLES ±	WEIGHT -	SCALE 2:1	SHEET 1 OF 2
MATERIAL NOTE 1	FINISH -	Customer Drawing	REV B1	

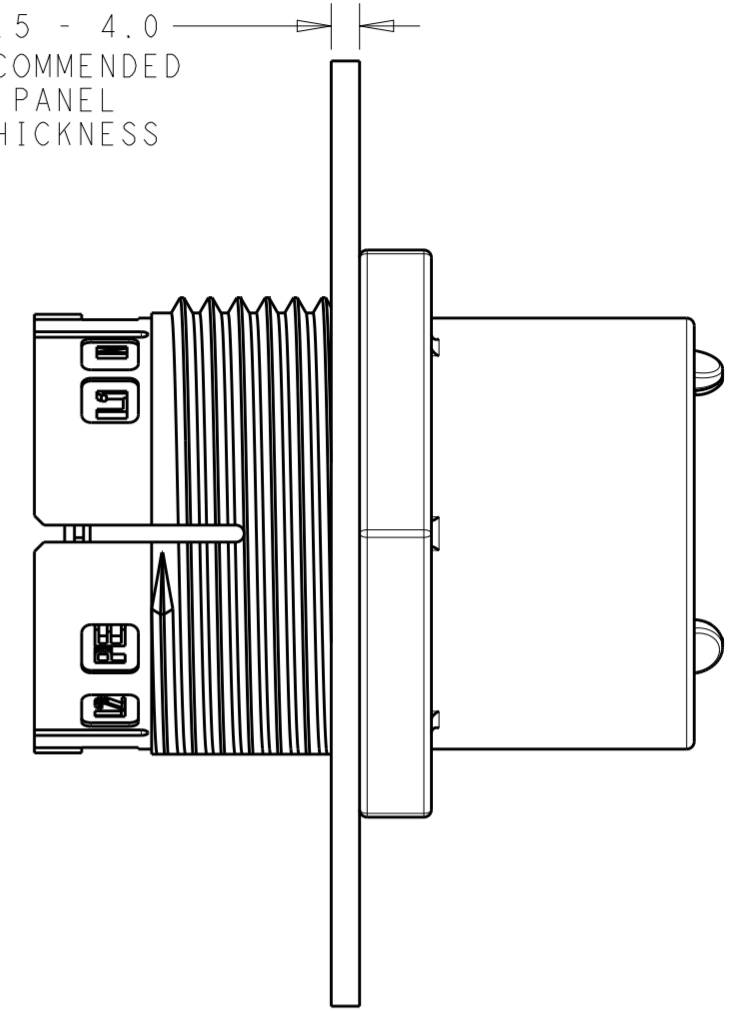
REVISIONS				
P	LTR	DESCRIPTION	DATE	APVD
-	-	SEE SHEET 1	-	-

### POLARIZATION TYPES

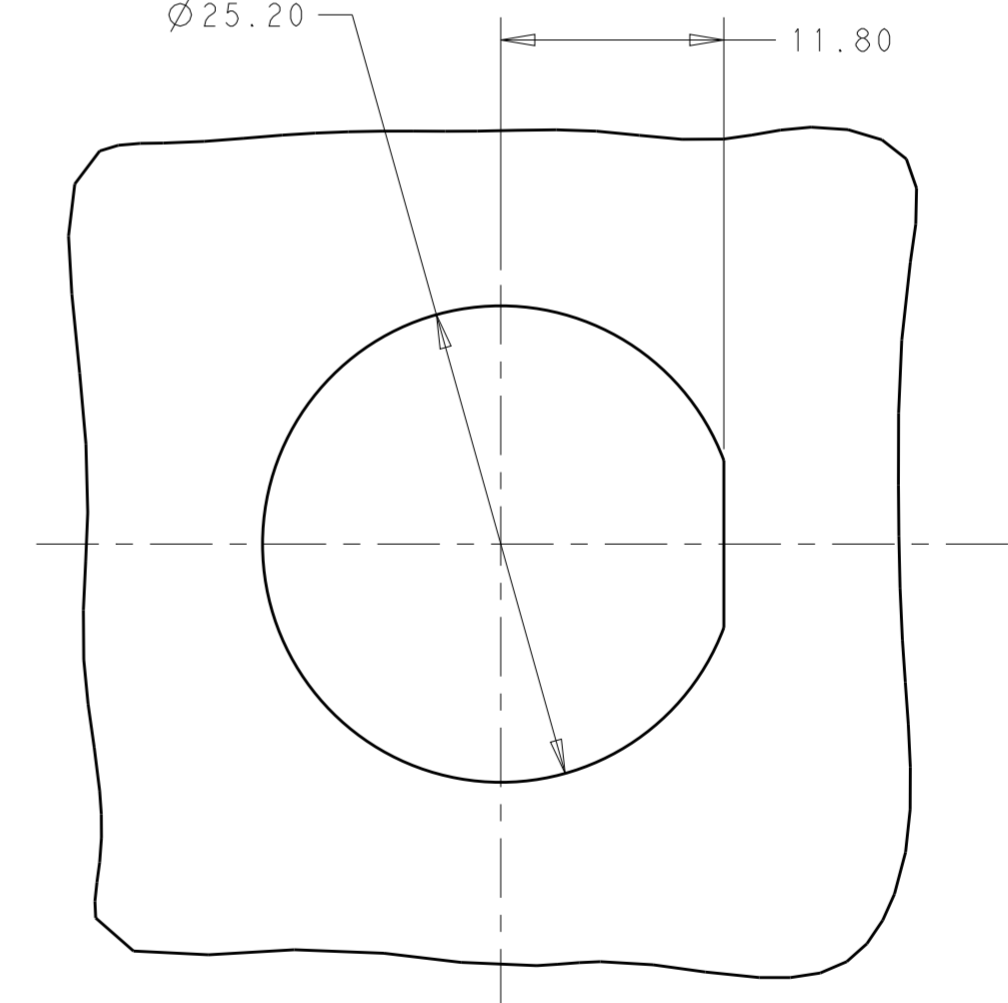
POLARIZATION TYPE "A"	POLARIZATION TYPE "B"	POLARIZATION TYPE "C"
		
PN: 2213262-1	<del>PN: 2213262-2</del>	<del>PN: 2213262-3</del>
POLARIZATION TYPE "D"	POLARIZATION TYPE "E"	
		
<del>PN: 2213262-4</del>	<del>PN: 2213262-5</del>	



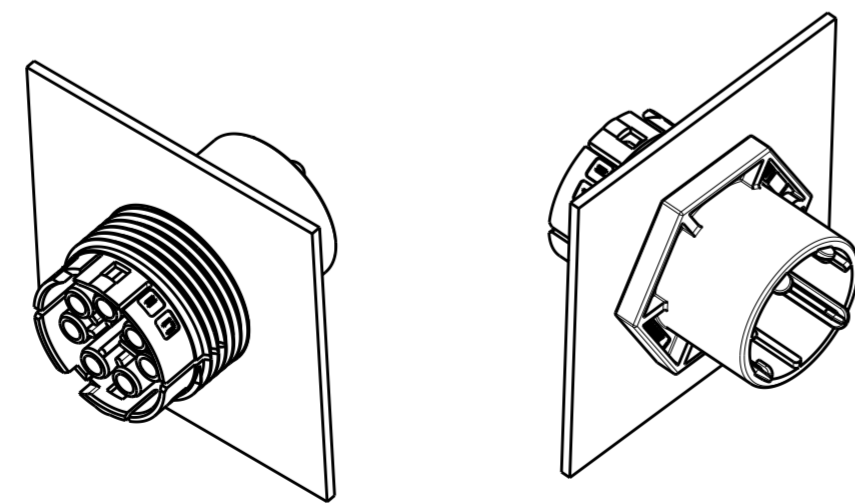
1.5 - 4.0  
RECOMMENDED  
PANEL  
THICKNESS




Ø25.20 11.80



RECOMMENDED  
PANEL CUTOUT  
SCALE 5:2



3D VIEWS  
FOR REFERENCE ONLY

THIS DRAWING IS A CONTROLLED DOCUMENT.		DWN J. SHAFFER 13NOV2013	 TE Connectivity	
DIMENSIONS: mm		CHK M. LUKSIC 13NOV2013		
TOLERANCES UNLESS OTHERWISE SPECIFIED:		APVD M. LUKSIC 13NOV2013	NAME PANEL MOUNT, SOCKET; SEALED NECTOR M; 6 POLE	
0 PLC ±	1 PLC ±0.2	PRODUCT SPEC 108-133014	SIZE A2	CAGE CODE -
2 PLC ±0.13	3 PLC ±	APPLICATION SPEC 114-32111	DRAWING NO G-2213262	RESTRICTED TO -
4 PLC ±	ANGLES ±	WEIGHT -	SCALE 2:1	SHEET 2 OF 2
MATERIAL NOTE 1	FINISH -	Customer Drawing	REV B1	