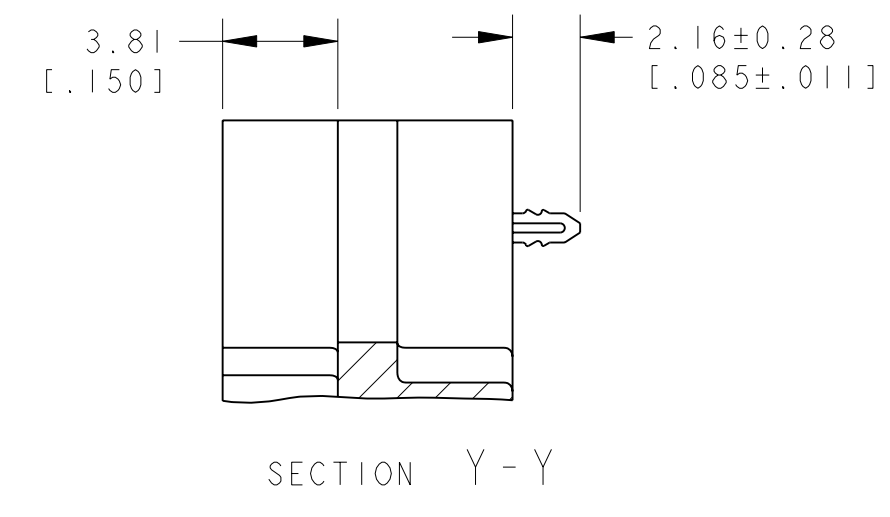
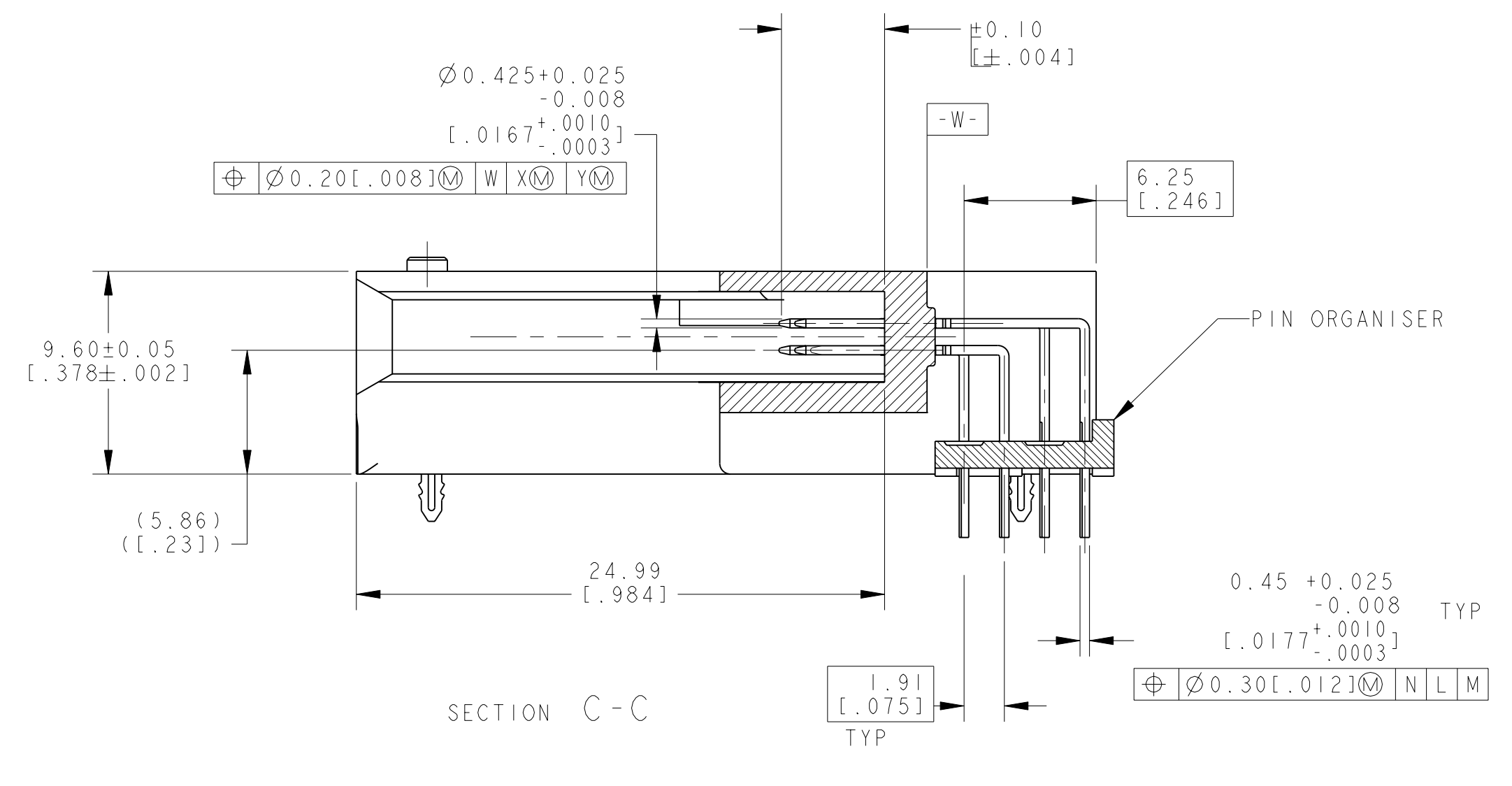
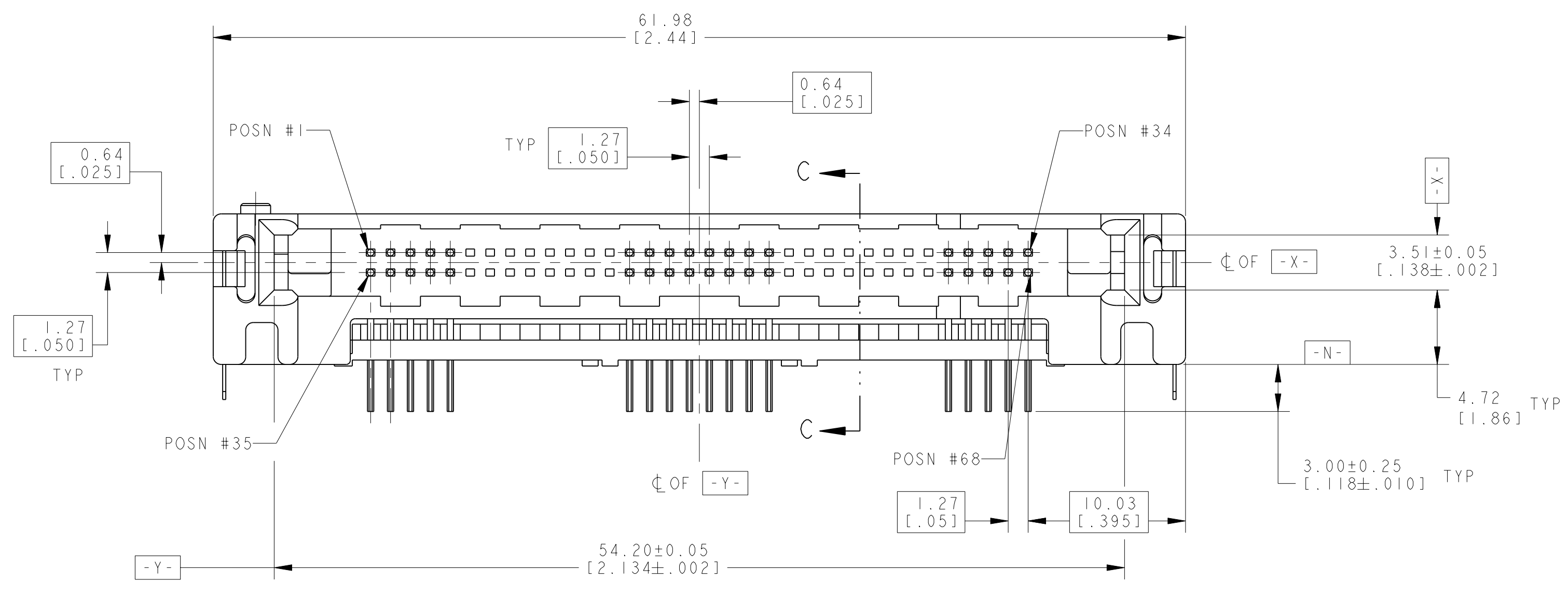
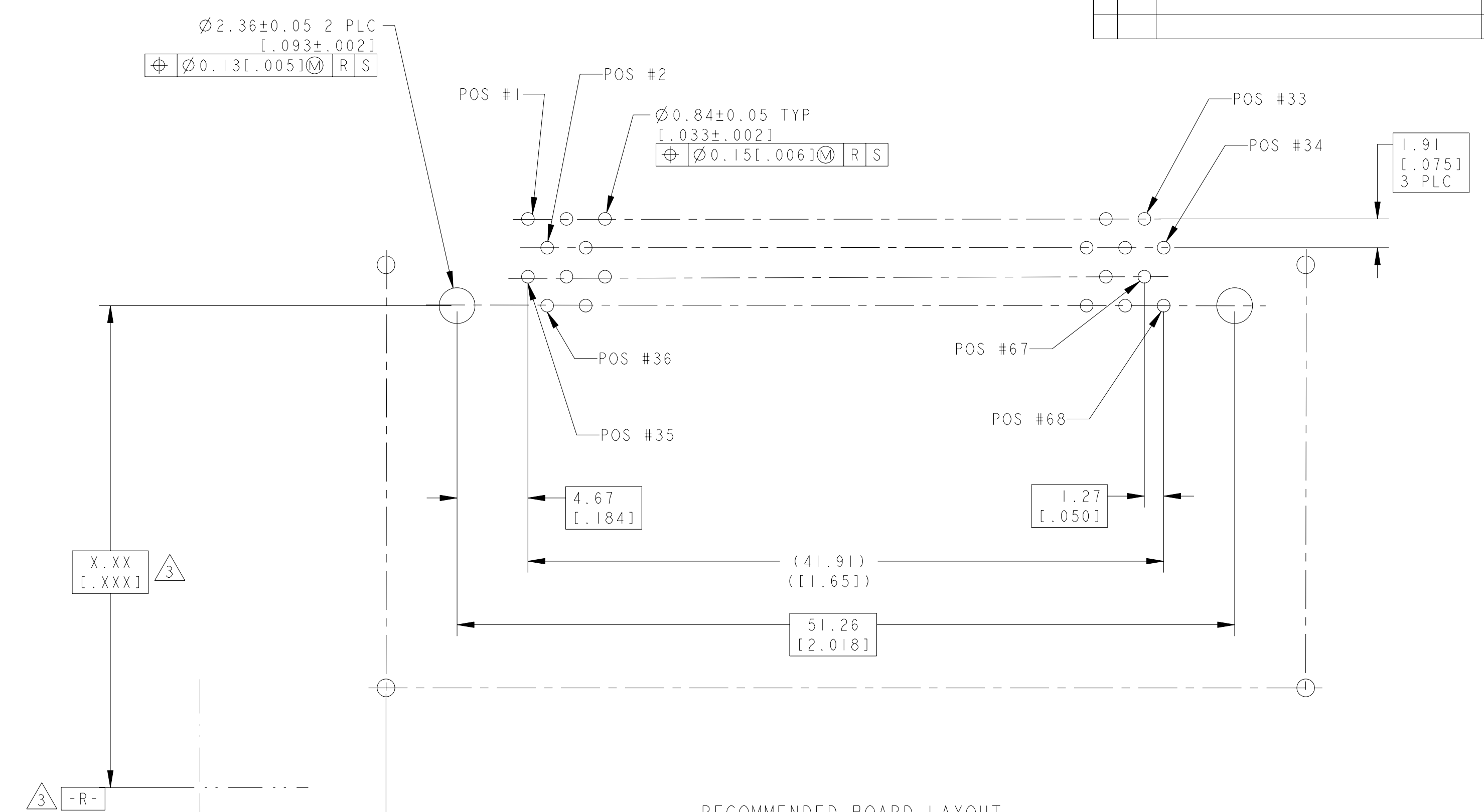
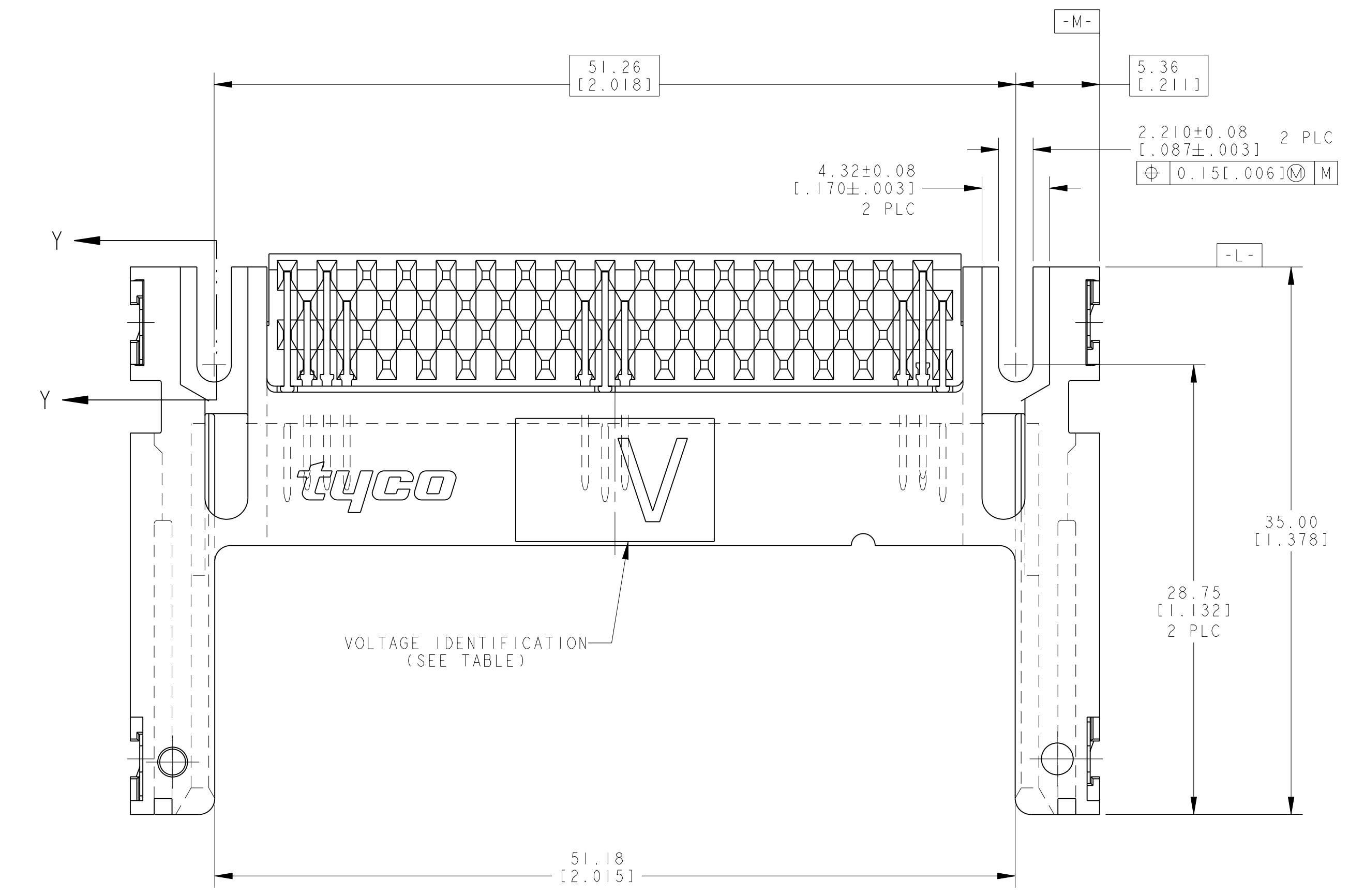


LOC	DIST	REV	DATE	DWN	APVD
-	-	A	29FEB2012	GG	RRP



- NOTE
- △ PLATING: GOLD ON THE CARD MATING AREA.  
TIN ON SOLDER TAILS  
NICKEL ALL OVER
  - 2. CUSTOMER TO PROVIDE CARD GUIDANCE SYSTEM.
  - △ DATUMS AND BASIC DIMENSIONS ESTABLISHED BY CUSTOMER.
  - 4. CONNECTOR REQUIRES USE OF 2 - SIZE 2M SCREWS FOR FASTENING TO PRINTED CIRCUIT BOARD.
  - △ MATERIAL: HOUSING & ORGANISER : THERMOPLASTIC UL94 V0, COLOR - BLACK  
PIN : BRASS  
HOLD-DOWN : PHOSPHOR BRONZE.
  - △ HOLD-DOWN : TIN PLATED

PLATING	VOLTAGE IDENTIFICATION	"L" (PIN LENGTH) AND LOCATION	PART NUMBER
△6	LV	1, 17, 34 35, 51, 68	ALL OTHER PINS 36, 67 2178292-2
△6	5V	1, 17, 34 35, 51, 68	ALL OTHER PINS 36, 67 2178292-1
PLATING		0.197 [5.0]	0.167 [4.25] 0.138 [3.5]
VOLTAGE IDENTIFICATION		"L" (PIN LENGTH) AND LOCATION	

THIS DRAWING IS A CONTROLLED DOCUMENT.		DWN: GUNA 23DEC2011	TE Connectivity
DIMENSIONS: mm [INCHES]		CHK: RAJENDRA 23DEC2011	
TOLERANCES UNLESS OTHERWISE SPECIFIED:		APVD: RAJENDRA 23DEC2011	
9 PLC ± 1 PLC ± 2 PLC ± 3 PLC ± 4 PLC ±0.13 [0.005] ANGLES ±0°-30°		NAME: PIN HEADER ASSY, 68 POS RAISED HT, TOP BRD MTG, THRU HOLE, WITH HOLD-DOWN, MEMORY CARD	
MATERIAL: △6	FINISH: △1 △6	WEIGHT: -	RESTRICTED TO
CUSTOMER DRAWING		SCALE: 4:1	SHEET 1 OF 1 REV A