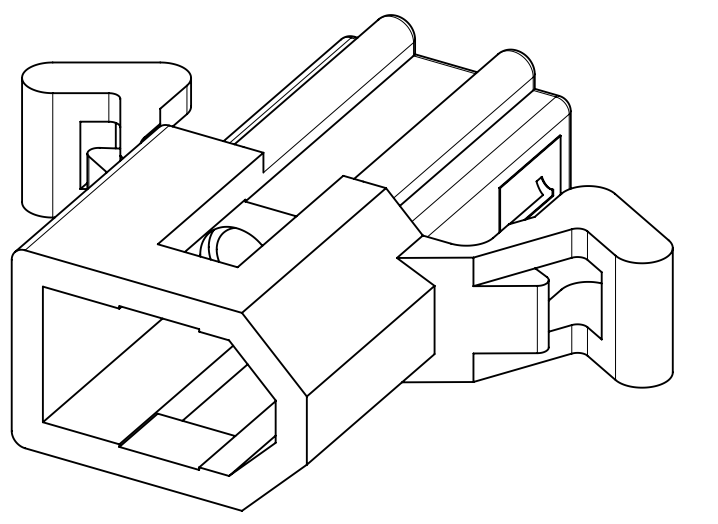
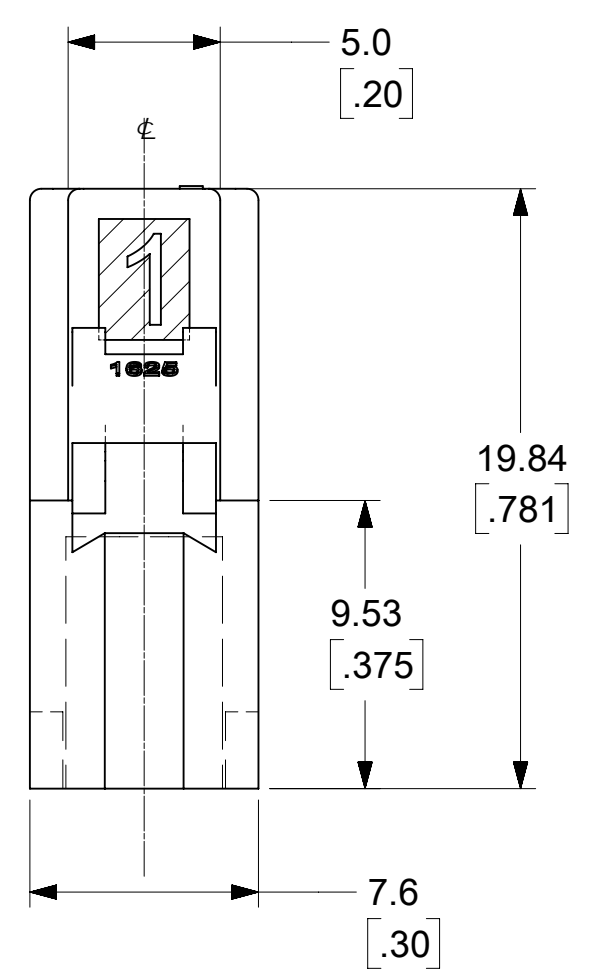
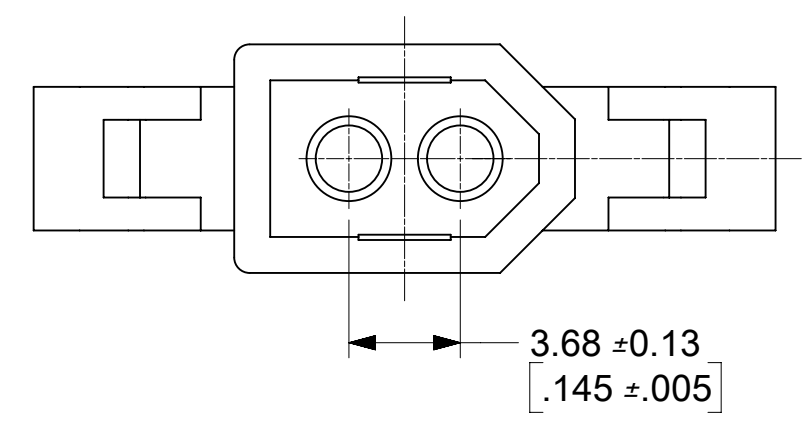
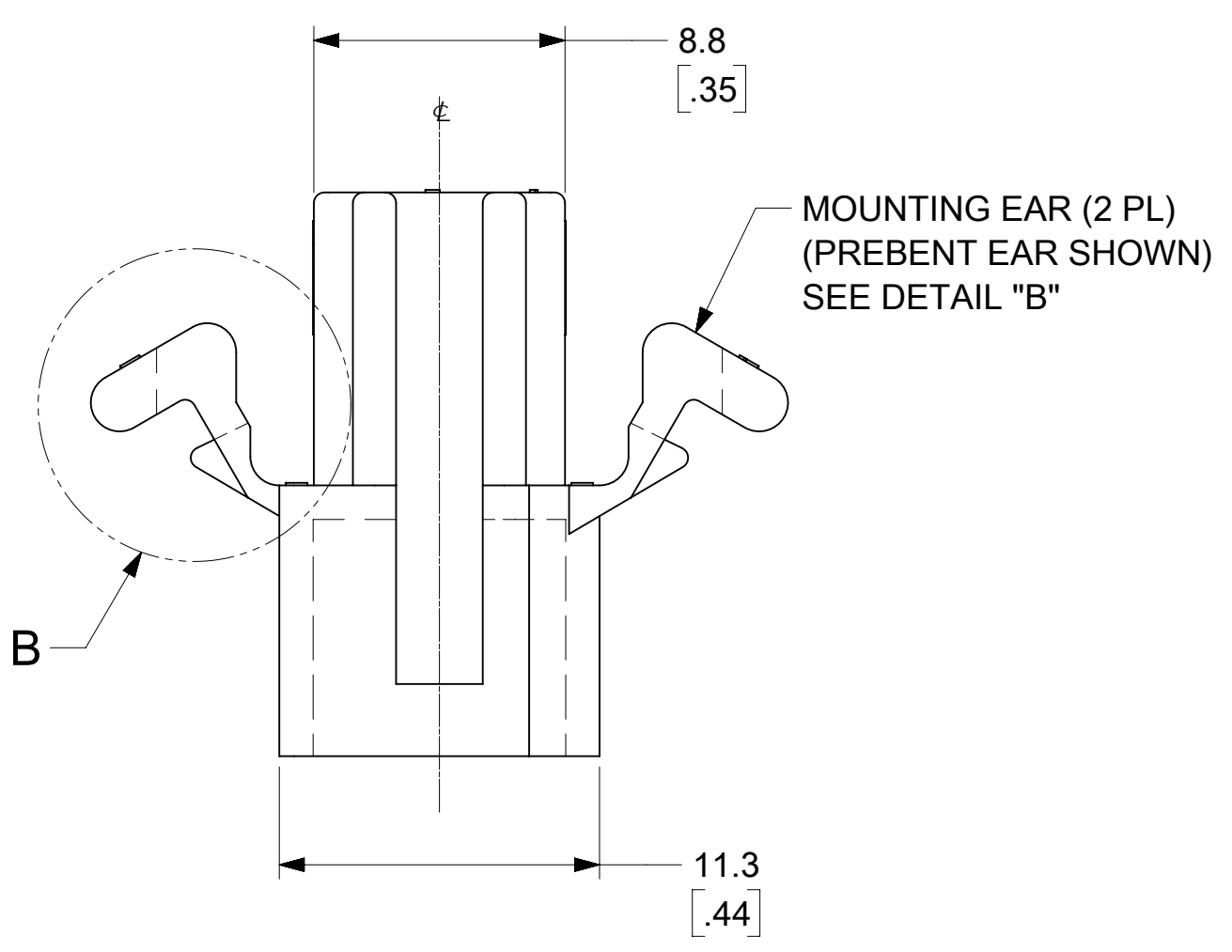
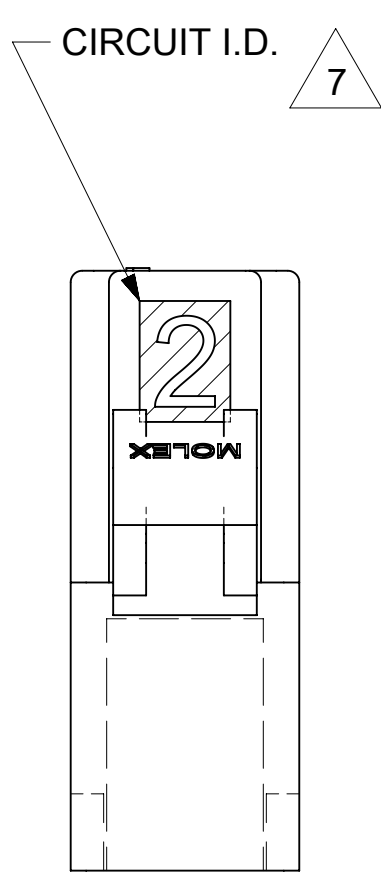


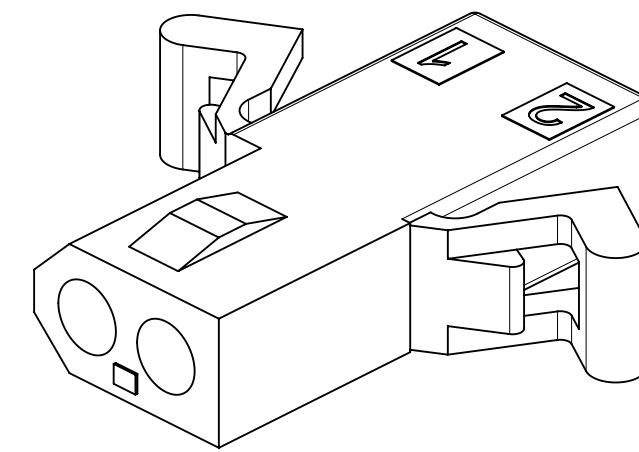
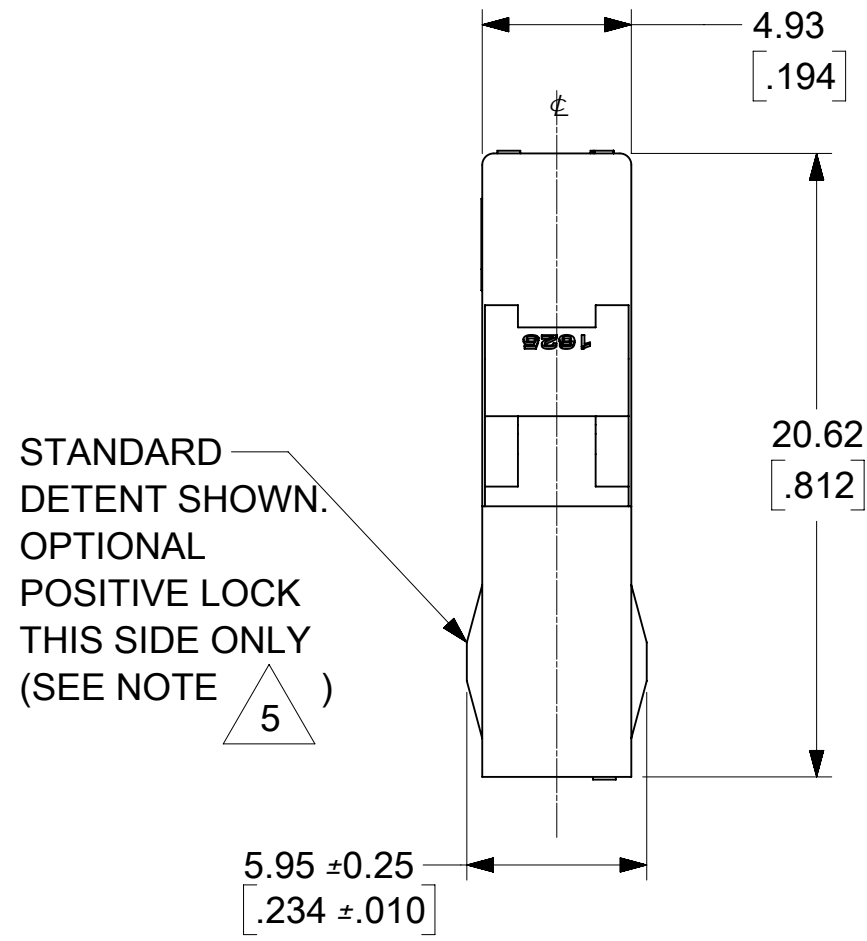
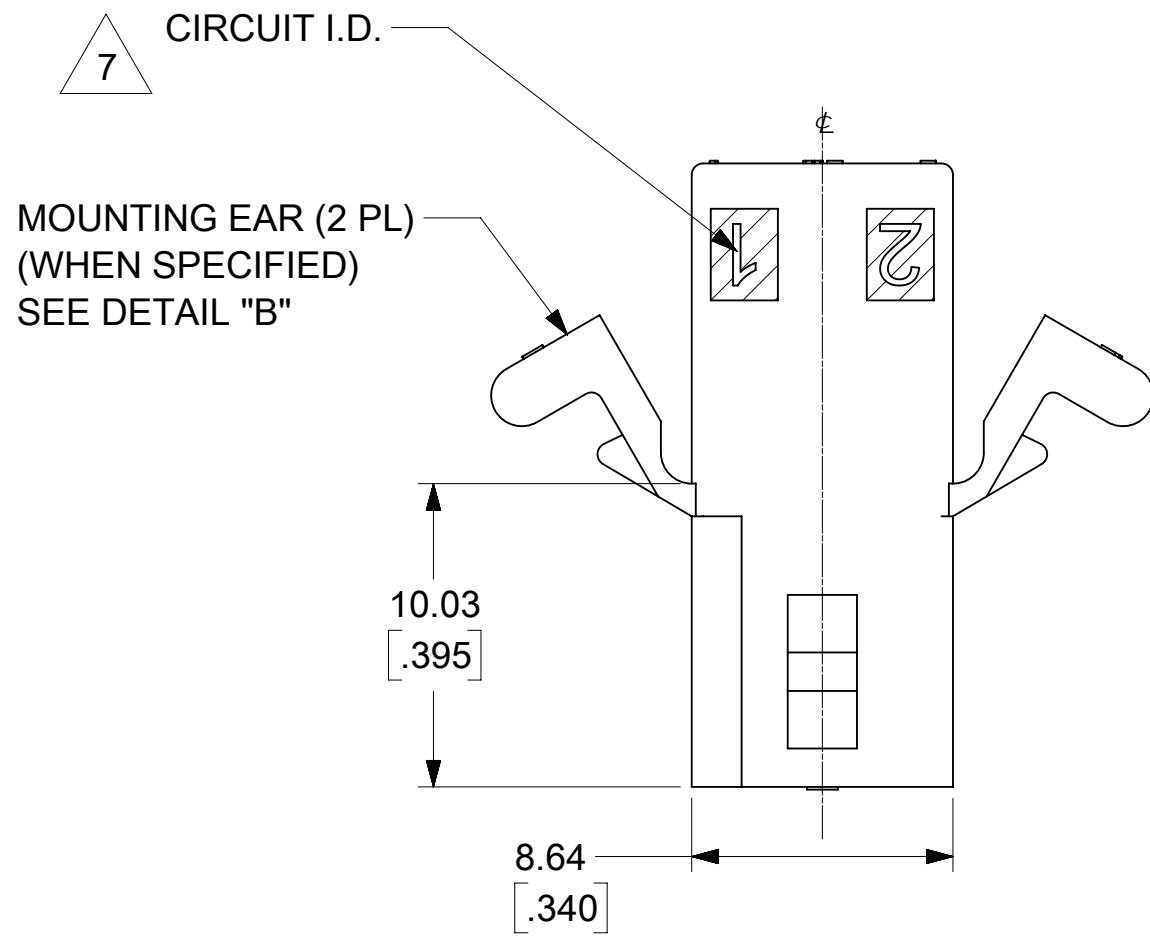
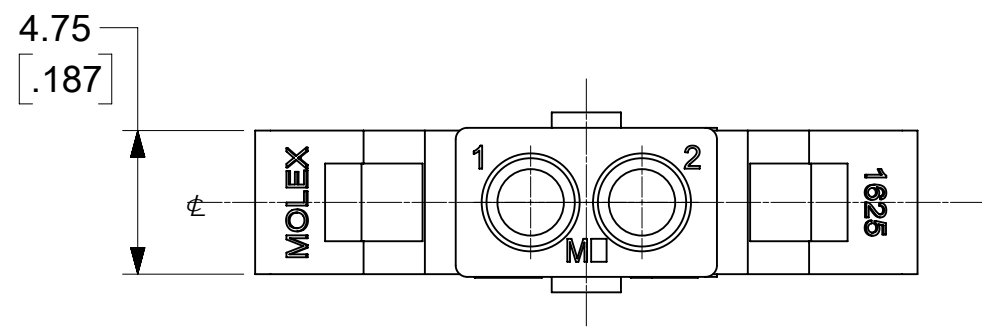
PLUG HOUSING WITH NO EARS



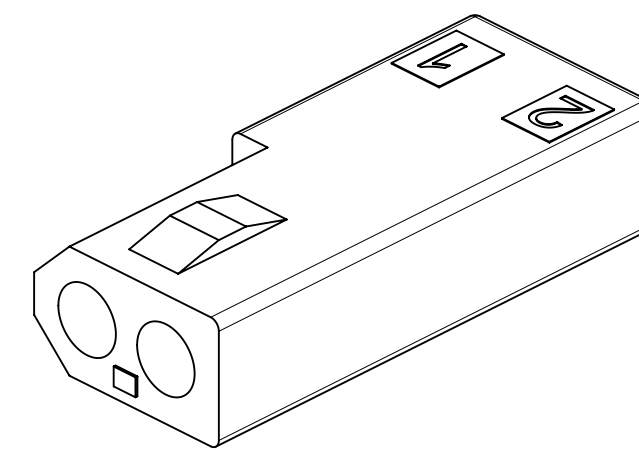
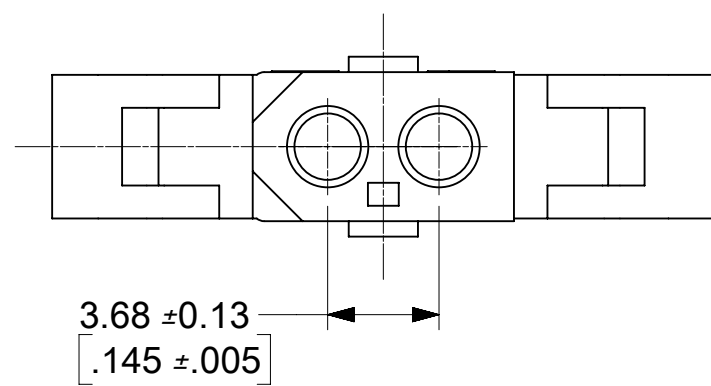
PLUG HOUSING WITH PREBENT EARS



QUALITY SYMBOLS		THIS DRAWING CONTAINS INFORMATION THAT IS PROPRIETARY TO MOLEX ELECTRONIC TECHNOLOGIES, LLC AND SHOULD NOT BE USED WITHOUT WRITTEN PERMISSION																							
▽ = 0	2017/07/17	GENERAL TOLERANCES (UNLESS SPECIFIED)		DIMENSION UNITS	SCALE																				
▽ = 0	2017/08/09	MM	INCH	MM/IN	4:1																				
▽ = 0	2017/08/10	4 PLACES ±	±	DRWN BY	DATE																				
▽ = 0		3 PLACES ±	± 0.007	ZHARPER	2017/06/20																				
▽ = 0		2 PLACES ±	± 0.18 ± 0.01	CHK'D BY	DATE																				
▽ = 0		1 PLACES ±	± 0.25 ±	MKIPPER	2017/06/20																				
▽ = 0		0 PLACES ±	±	APPR BY	DATE																				
▽ = 0		ANGULAR TOL = 1.0		FSMITH	2017/06/30																				
▽ = 0		DRAFT WHERE APPLICABLE MUST REMAIN WITHIN DIMENSIONS		DRAWING SIZE	THIRD ANGLE PROJECTION																				
▽ = 0				C																					
REDRAWING IN NX		<table border="1"> <tr> <td colspan="2">molex®</td> </tr> <tr> <td colspan="2">.062 2CKT PLUG AND RECEPTACLE HOUSING</td> </tr> <tr> <td colspan="2">PRODUCT CUSTOMER DRAWING</td> </tr> <tr> <td>SERIES</td> <td>MATERIAL NUMBER</td> <td>CUSTOMER</td> </tr> <tr> <td>1625</td> <td>SEE CHART</td> <td></td> </tr> <tr> <td>DOCUMENT NUMBER</td> <td>DOC TYPE</td> <td>DOC PART</td> <td>SHEET NUMBER</td> </tr> <tr> <td>16250200-SD</td> <td>PSD</td> <td>000</td> <td>1 OF 3</td> </tr> </table>				molex®		.062 2CKT PLUG AND RECEPTACLE HOUSING		PRODUCT CUSTOMER DRAWING		SERIES	MATERIAL NUMBER	CUSTOMER	1625	SEE CHART		DOCUMENT NUMBER	DOC TYPE	DOC PART	SHEET NUMBER	16250200-SD	PSD	000	1 OF 3
molex®																									
.062 2CKT PLUG AND RECEPTACLE HOUSING																									
PRODUCT CUSTOMER DRAWING																									
SERIES	MATERIAL NUMBER	CUSTOMER																							
1625	SEE CHART																								
DOCUMENT NUMBER	DOC TYPE	DOC PART	SHEET NUMBER																						
16250200-SD	PSD	000	1 OF 3																						
EC NO: 120335	DRWN: MKIPPER	CHKD: MKIPPER	REV / APPR: FSMITH																						
A																									



RECEPTACLE HOUSING
(1625-2R2 SHOWN)



RECEPTACLE HOUSING
(1625-2R3 SHOWN)

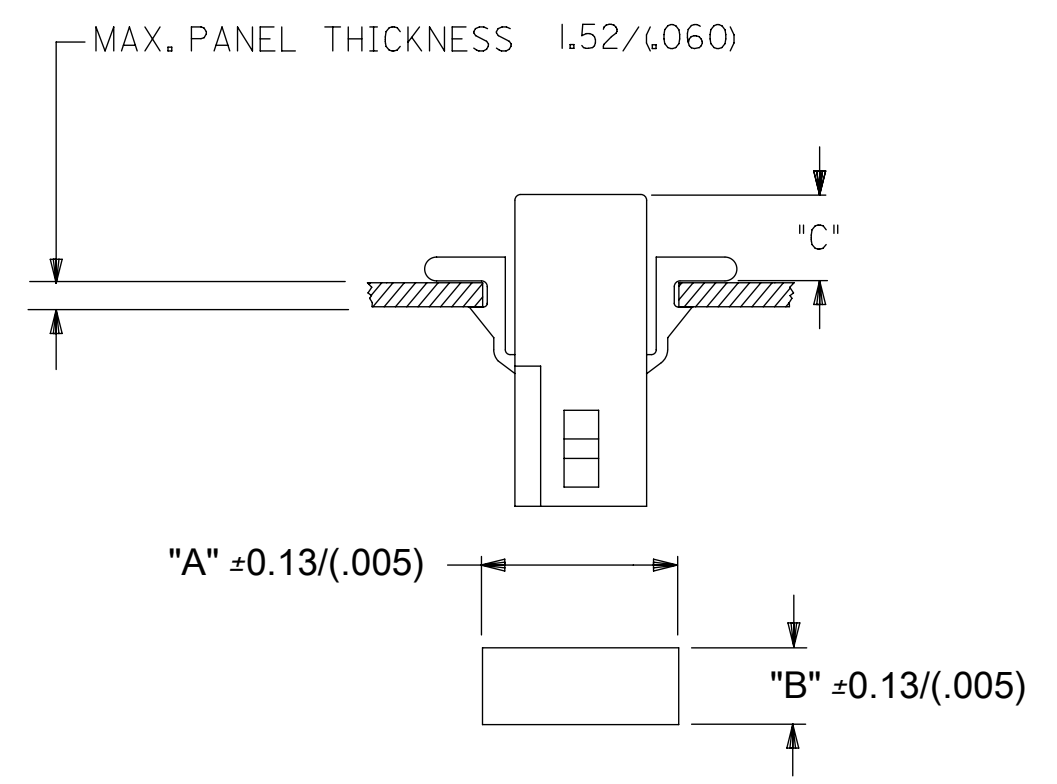
QUALITY SYMBOLS 	THIS DRAWING CONTAINS INFORMATION THAT IS PROPRIETARY TO MOLEX ELECTRONIC TECHNOLOGIES, LLC AND SHOULD NOT BE USED WITHOUT WRITTEN PERMISSION														
	REDRAWING IN NX EC NO: 120335 DRWN: MKIPPER CHKD: MKIPPER REV / APPR: FSMITH	GENERAL TOLERANCES (UNLESS SPECIFIED)		DIMENSION UNITS MM/IN		SCALE 4:1									
				DRWN BY: ZHARPER DATE: 2017/06/20		CHK'D BY: MKIPPER DATE: 2017/06/20									
		4 PLACES ± ±		DRWING SIZE: C		THIRD ANGLE PROJECTION		PRODUCT CUSTOMER DRAWING							
		3 PLACES ± ± 0.007		ANGULAR TOL = 1.0		DRAWING NUMBER: 1625						MATERIAL NUMBER: SEE CHART		CUSTOMER:	
		2 PLACES ± 0.18 ± 0.01		DRAFT WHERE APPLICABLE MUST REMAIN WITHIN DIMENSIONS		DOCUMENT NUMBER: 16250200-SD						DOC TYPE: PSD		DOC PART: 000	
	1 PLACES ± 0.25 ±				APPR BY: FSMITH DATE: 2017/06/30		SHEET NUMBER: 2 OF 3								
	0 PLACES ± ±														

PLUG	
PART NO.	ENG. NO.
03-06-7023	1625-2P1BK
03-06-2023	1625-2P1
03-06-2024	1625-2P2

PLUG LEGEND:
 1625-2P **
 CIRCUIT SIZE
 P = PLUG
 1 = WITHOUT MOUNTING EARS
 2 = WITH PREBENT MOUNTING EARS
 BLANK = NATURAL
 BK = BLACK

RECEPTACLE	
PART NO.	ENG. NO.
03-06-6023	1625-2R1BK
03-06-1023	1625-2R1
03-06-1022	1625-2R2

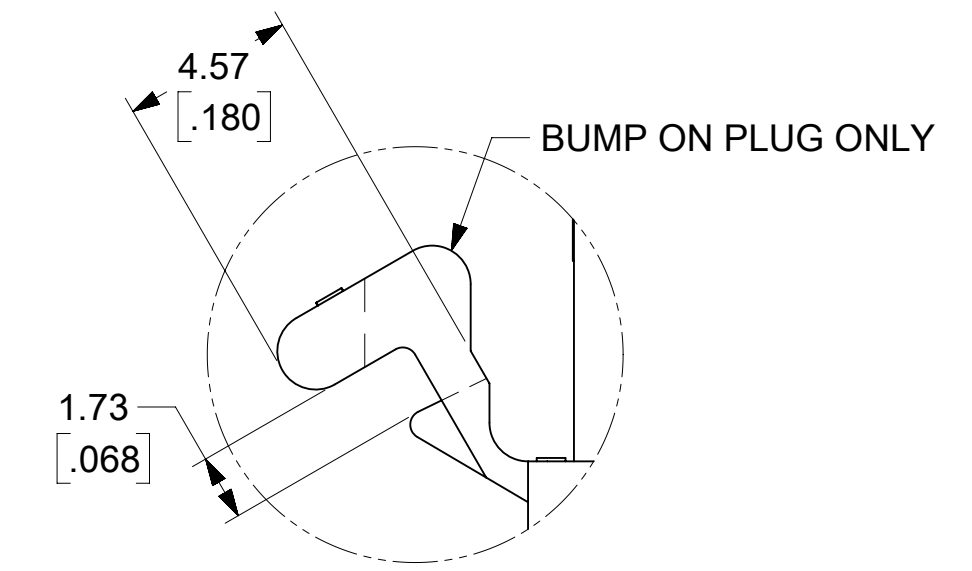
RECEPTACLE LEGEND:
 1625-2R **
 CIRCUIT SIZE
 R = RECEPTACLE
 1 = WITHOUT MOUNTING EARS; WITH DETENTS
 2 = WITH PREBENT MOUNTING EARS; WITH DETENTS
 BLANK = NATURAL
 BK = BLACK



"A" ±0.13/(.005)
 "B" ±0.13/(.005)

RECOMMENDED HOLE PATTERN
 (NOT TO SCALE)

HOUSING	DIM. "A"	DIM. "B"	PREBENT EAR DIM. "C"	STD. EAR DIM. "C"
PLUG	15.47 [.609]	8.08 [.318]	6.0 [.24]	6.1 [.24]
RECEPTACLE	12.83 [.505]	6.73 [.265]	6.4 [.25]	6.4 [.25]



DETAIL B
 SCALE 5:1

- NOTES:**
1. MATERIAL - NYLON TYPE 6/6, 94V-2
 2. FINISH: NONE
 3. PRODUCT SPECIFICATION: PS-02-06
 4. PACKAGING SPECIFICATION: PK-1625-003.
 5. HOUSING FOR USE WITH MOLEX .062/(1.57) DIA. SERIES TERMINALS.
 6. CIRCUIT I.D. NUMBERS ON SIDE OF HOUSING APPEAR ON PARTS FROM TOOLS BUILT AFTER 07/01/1991.
 7. THIS PART CONFORMS TO CLASS B REQUIREMENTS OF COSMETIC SPECIFICATION PS-45499-002.
 8. THIS DRAWING REPLACES SD-1625-2*.

THIS DRAWING CONTAINS INFORMATION THAT IS PROPRIETARY TO MOLEX ELECTRONIC TECHNOLOGIES, LLC AND SHOULD NOT BE USED WITHOUT WRITTEN PERMISSION

QUALITY SYMBOLS ▽ = 0 ▽ = 0 ▽ = 0 ▽ = 0 ▽ = 0 ▽ = 0 ▽ = 0 ▽ = 0 ▽ = 0 ▽ = 0	REDRAWING IN NX EC NO: 120335 DRWN: MKIPPER CHKD: MKIPPER REV / APPR: FSMITH	GENERAL TOLERANCES (UNLESS SPECIFIED)		DIMENSION UNITS MM/IN	SCALE 4:1	
				DRWN BY: ZHARPER DATE: 2017/06/20	PRODUCT CUSTOMER DRAWING	
				CHK'D BY: MKIPPER DATE: 2017/06/20		
				APPR BY: FSMITH DATE: 2017/06/30		
		ANGULAR TOL = 1.0		DRAWING SIZE: C	THIRD ANGLE PROJECTION	SERIES: 1625 MATERIAL NUMBER: SEE CHART CUSTOMER:
		DRAFT WHERE APPLICABLE MUST REMAIN WITHIN DIMENSIONS				DOCUMENT NUMBER: 16250200-SD DOC TYPE: PSD DOC PART: 000 SHEET NUMBER: 3 OF 3