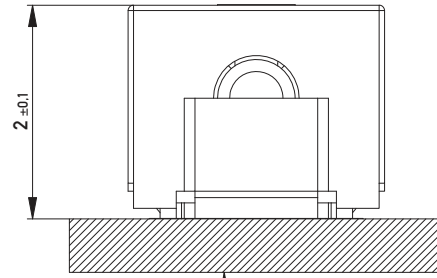
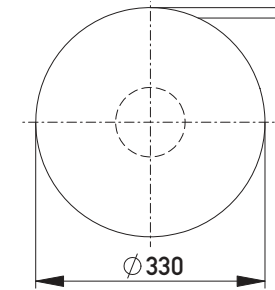


Terminal verrastet
Terminal pressed

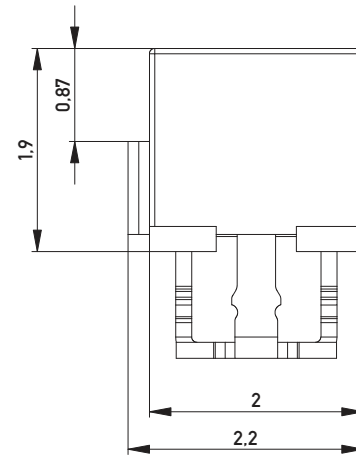
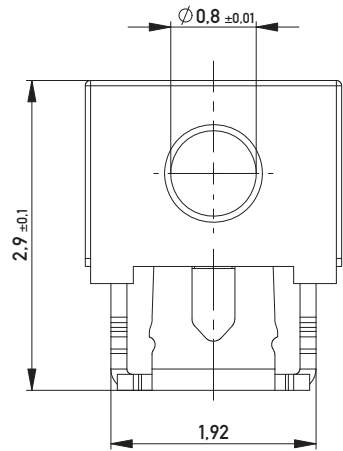


Leiterplatte
PCB

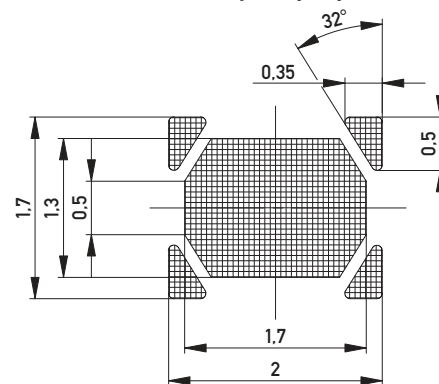
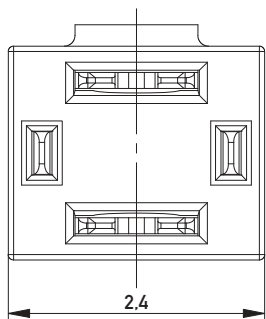
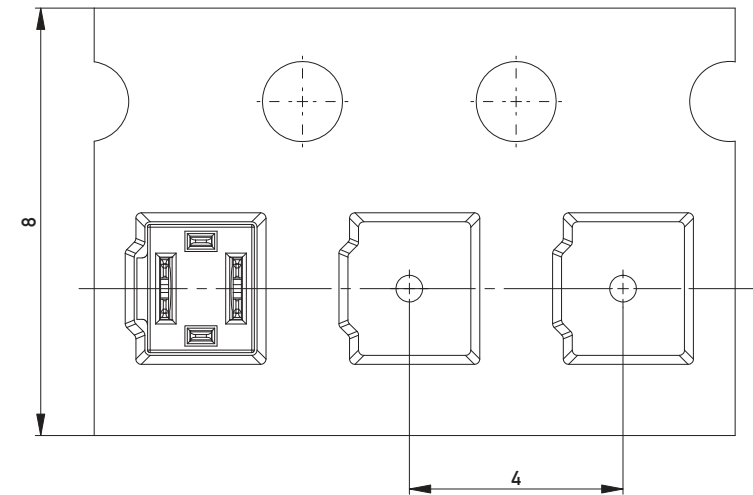
Verpackt in Gurtverpackung
Tape on Reel Packaging
Verpackungseinheit: 5000 Stück
Packaging unit: 5000 pcs



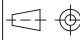

Abspülrichtung - Reel off Direction



Leiterplatten-Layout Vorschlag
PCB-Layout proposal



* AWG 24/1 D 0,8 mit Kabelanschlag
* AWG 24/1 D 0,8 with cable stop

Information: All rights reserved. Only for Information. To ensure that this is the latest version of this drawing, please contact one of the ERNI companies before using.	Tolerances  All Dimensions in mm	Scale	20:1
		Designation	Schneidklemmterminal* IDC-Terminal*
 www.ERNI.com	384980		I
	Index	Date	22.08.2012
Class		IDC-TERM	

Copyright by ERNI GmbH. Proprietary notice pursuant to ISO 16016 to be observed.