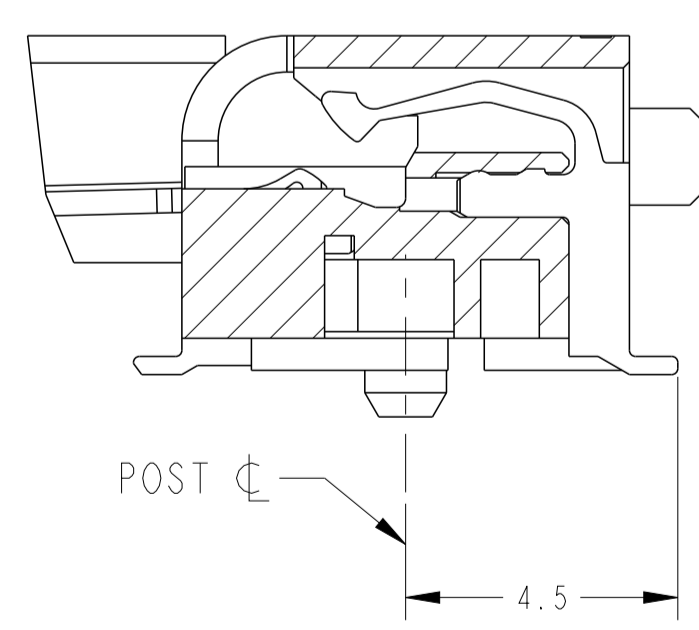


SECTION X-X  
SCALE 8:1  
ROTATED 90° CCW



SECTION Y-Y  
SCALE 8:1  
ROTATED 90° CCW

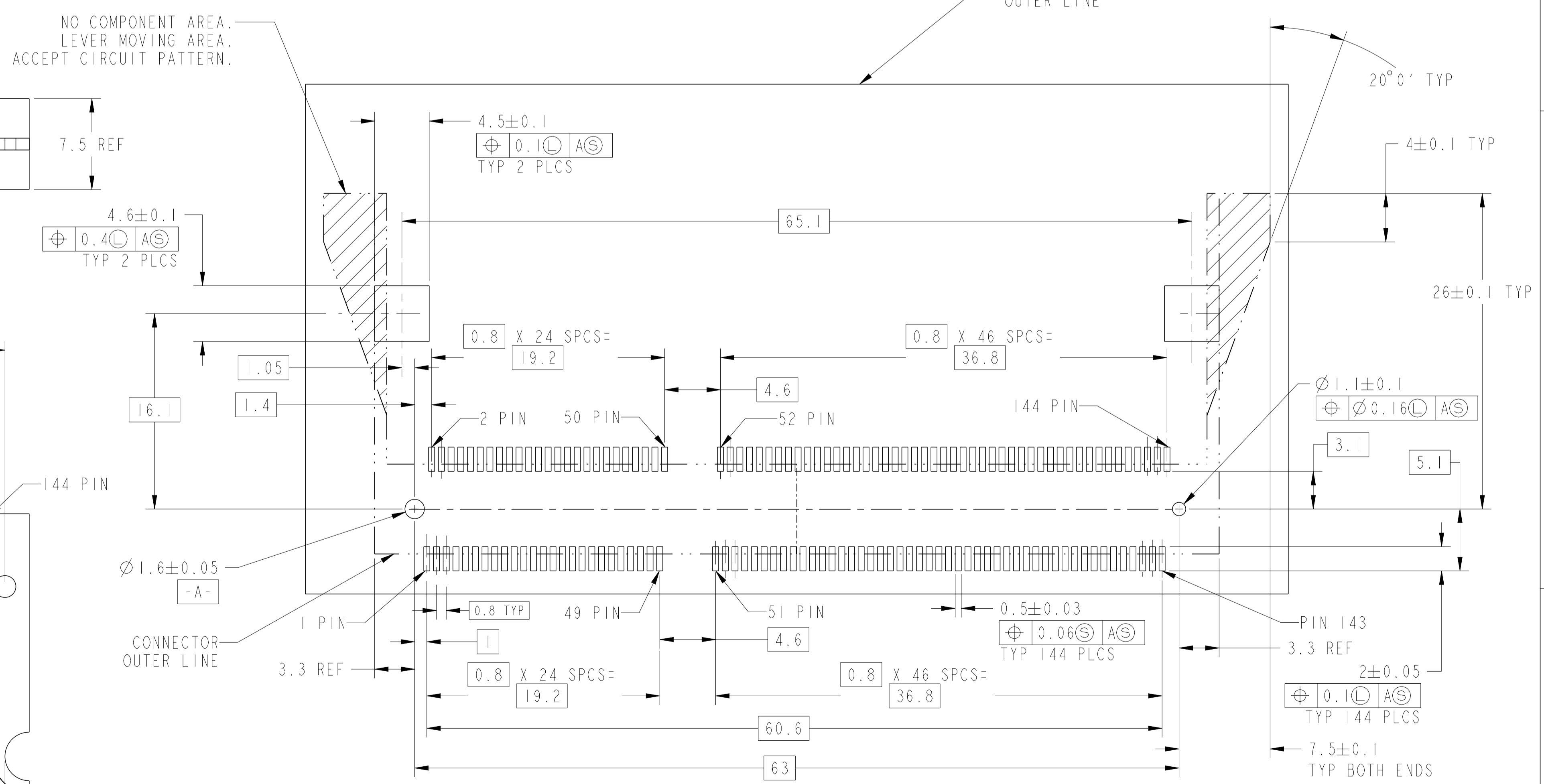
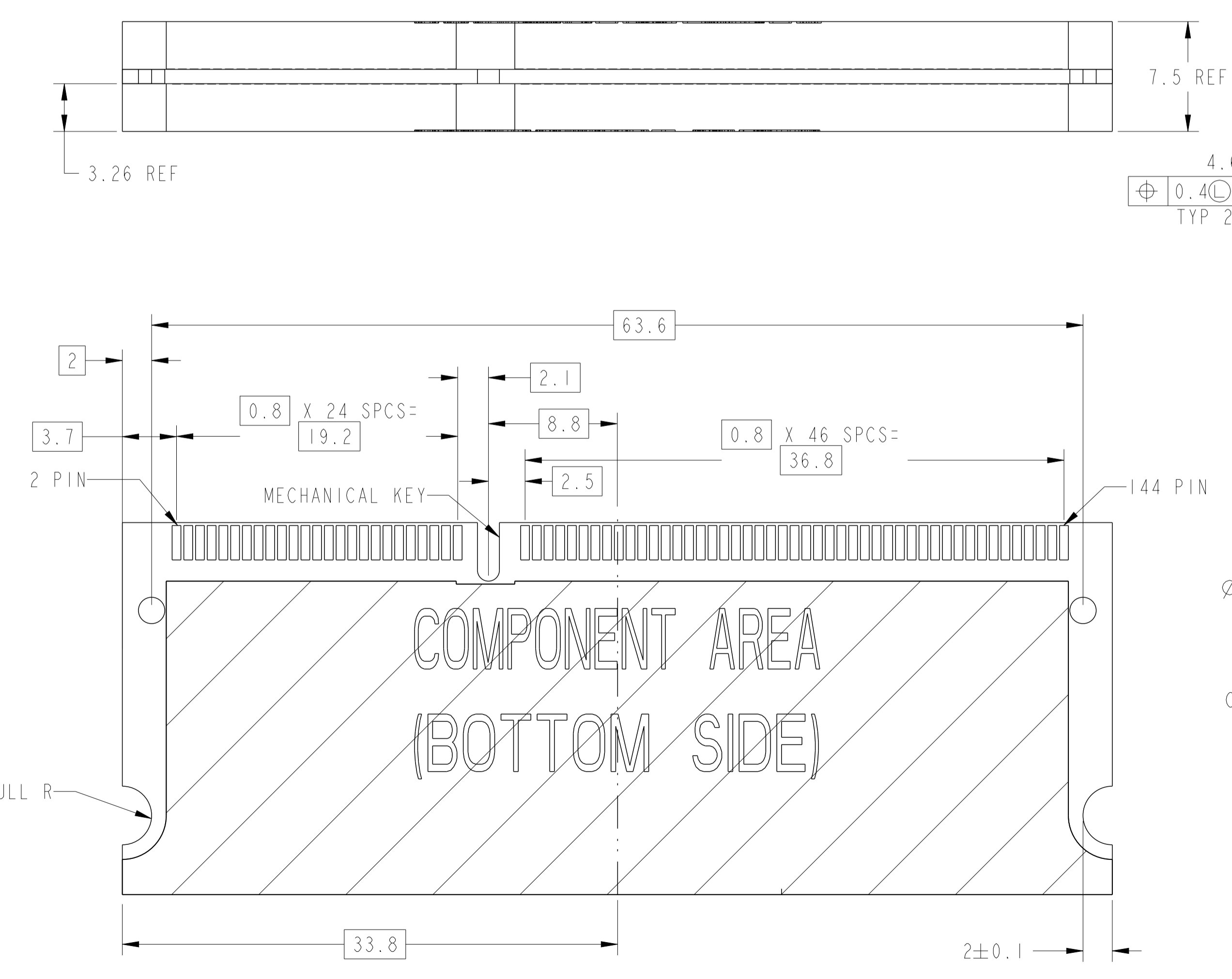
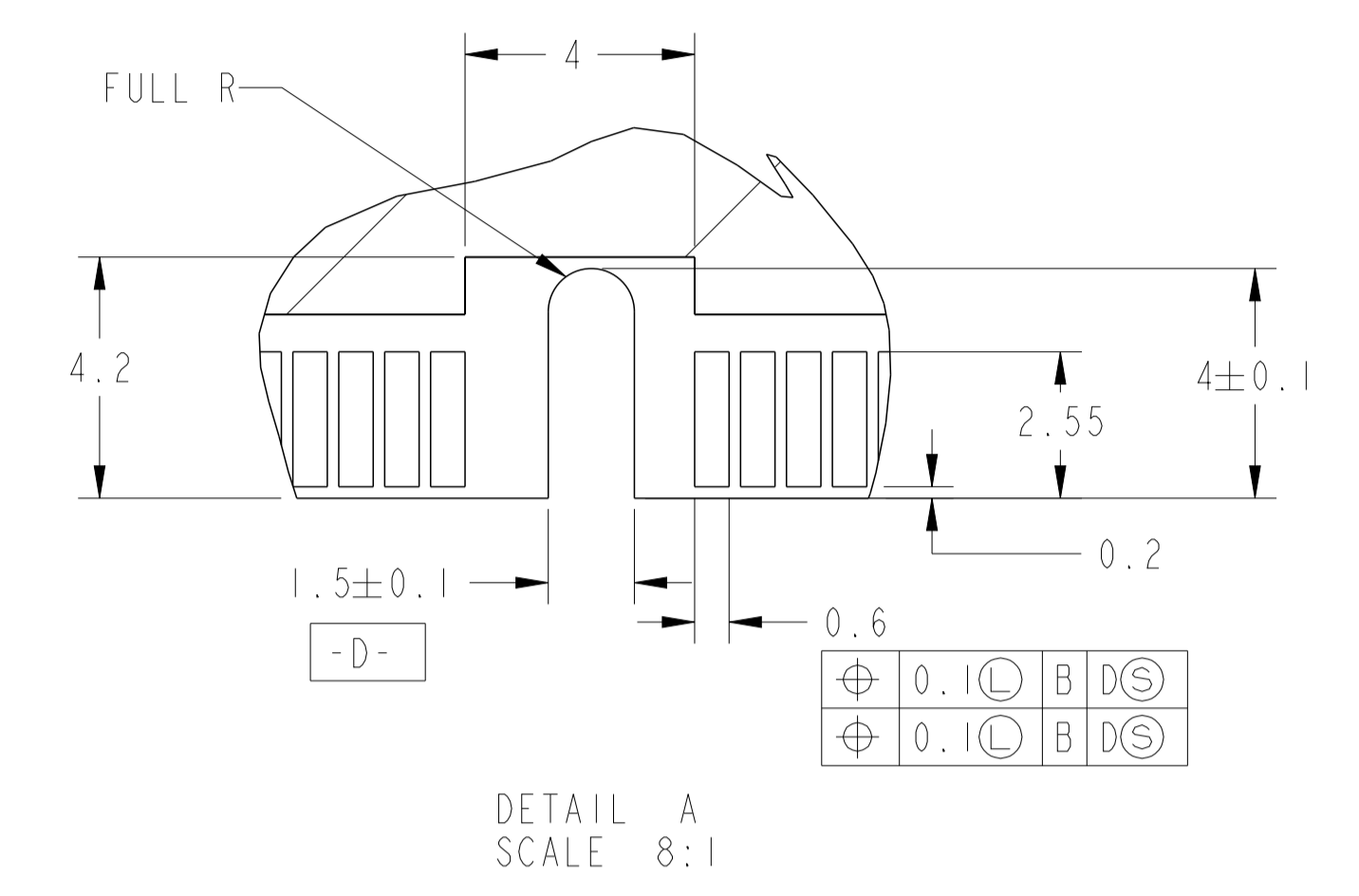
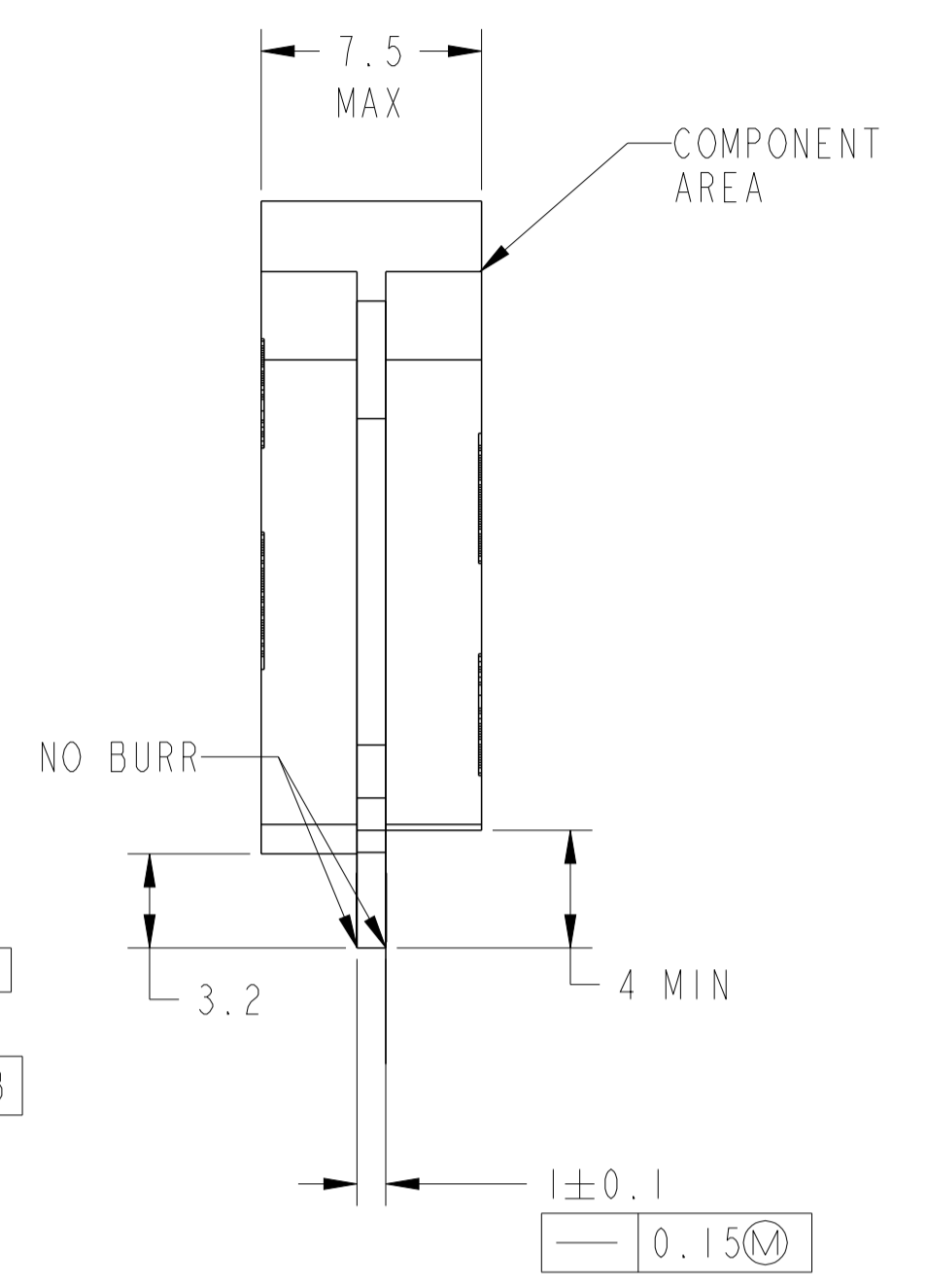
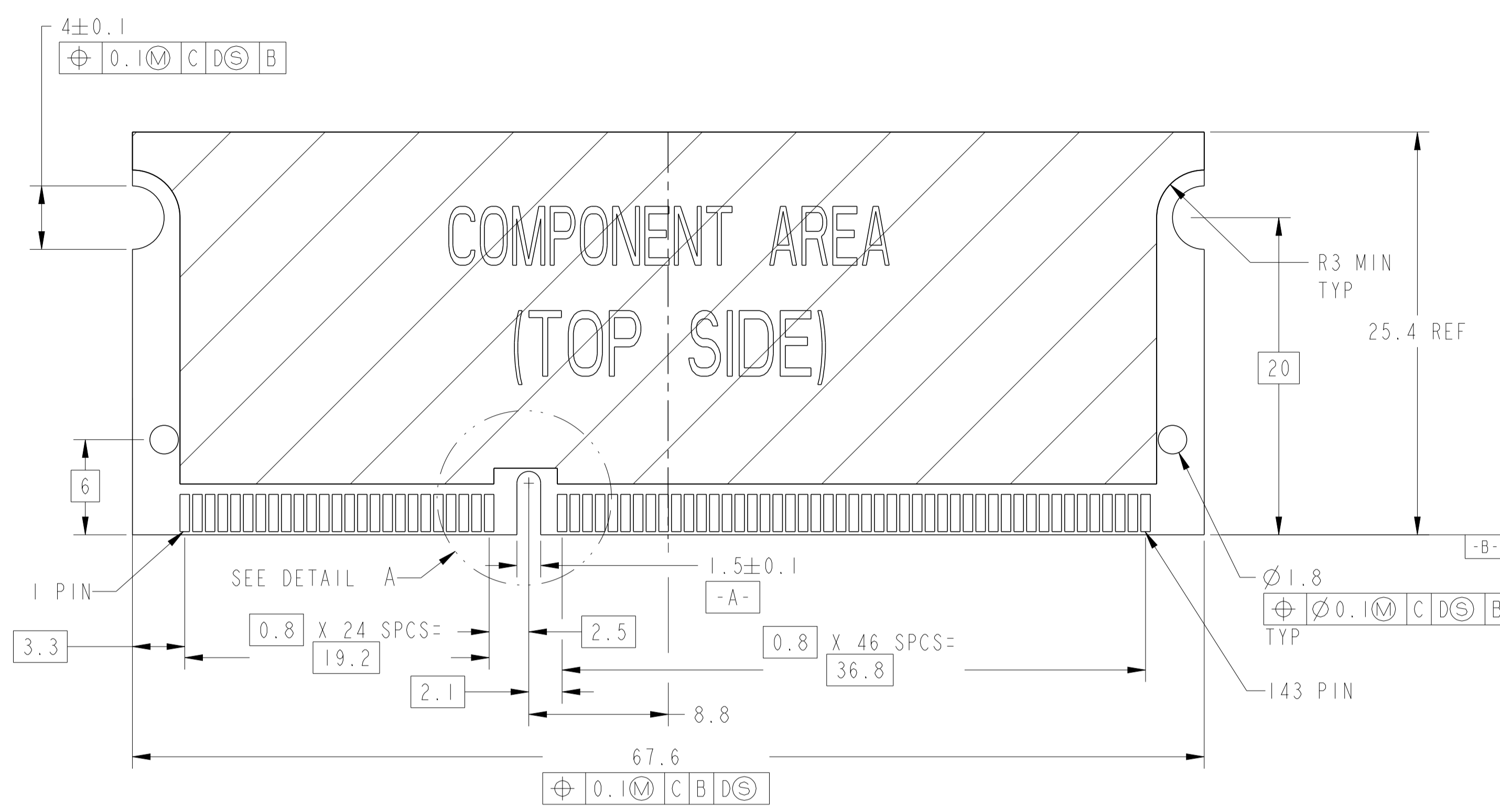
- 1 MATERIAL, HOUSING, HIGH TEMPERATURE PLASTIC UL94V-0, NAT. CONTACT: COPPER ALLOY LOCK LEVER: SUS301 TIN PLATING.
- 2 FINISH; CONTACT AREA: 0.00025 MIN GOLD PLATE ON 0.001 MIN ALL OVER NICKEL SOLDERING AREA: 0.00005 MIN TO 0.00030 MAX GOLD PLATE
- 3. TOLERANCES NON-ACCUMULATIVE.
- 4 PART TO BE PACKAGED PER EIA IS-704 STANDARD. REEL DIAMETER IS 559 mm, TAPE WIDTH IS 88 mm, AND TAPE PITCH IS 36 mm.
- 5 PACKAGED IN HARD TRAY.
- 6 FINISH: CONTACT AREA: 0.00025 MIN GOLD PLATE ON 0.001 MIN ALL OVER NICKEL SOLDERING AREA: BRIGHT TIN-LEAD
- 7 PART PACKAGED PER EIA IS-704 STANDARD. REEL DIAMETER SHALL BE 330mm, TAPE WIDTH SHALL BE 88mm, AND TAPE PITCH SHALL BE 36mm.
- 8 REVERSE REELING.
- 9 DATE CODE (4-DIGITS), LOCATED AS SHOWN. TO BE INTERPRETED AS FOLLOWS:  
 DIGIT # 1 - LAST DIGIT OF YEAR.  
 DIGITS # 2 AND # 3 - CALENDAR WEEK.  
 DIGIT # 4 - DAY OF THE WEEK (WITH SUNDAYS AS DAY 1).

NIL	AVAILABLE	2	GRAM 3.3V	144	9-390111-2	7/8
NIL	AVAILABLE	2	GRAM 3.3V	144	9-390111-1	7
9-390111-1	NOT AVAILABLE	6	GRAM 3.3V	144	6-390111-4	4
9-390111-1	NOT AVAILABLE	2	GRAM 3.3V	144	6-390111-1	4
3-390111-1	NOT AVAILABLE	6	GRAM 3.3V	144	3-390111-4	5
NIL	AVAILABLE	2	GRAM 3.3V	144	3-390111-1	5
390111-1	NOT AVAILABLE	6	GRAM 3.3V	144	390111-4	
NIL	AVAILABLE	2	GRAM 3.3V	144	390111-1	
SUPERSEDED BY	REMARKS	FINISH	POWER SUPPLY	POS	PART NUMBER	

DIMENSIONS:		TOLERANCES UNLESS OTHERWISE SPECIFIED:		DWN: W. SORAH 6-23-97		CHK: R. TALLEY 6-23-97	
mm	0 PLC ±0.2	1 PLC ±0.2	2 PLC ±0.2	3 PLC ±0.2	4 PLC ±0.2	APVD: SF LEONG	
MATERIAL:		FINISH: SEE TABLE		APVD: SF LEONG		NAME: S.O. DIMM, SOCKET ASSY, 0.8mm, 3.3V	
MATERIAL:		FINISH: SEE TABLE		APVD: SF LEONG		PRODUCT SPEC: 108-1739	
MATERIAL:		FINISH: SEE TABLE		APVD: SF LEONG		APPLICATION SPEC: 114-1114	
MATERIAL:		FINISH: SEE TABLE		APVD: SF LEONG		RESTRICTED TO: A	
MATERIAL:		FINISH: SEE TABLE		APVD: SF LEONG		SCALE: 4:1 SHEET 1 OF 2 REV P1	



108-1739  
APPLICATION SPEC  
114-1114  
DRAWING NO  
00779  
C=390111



DIMENSIONS:		TOLERANCES UNLESS OTHERWISE SPECIFIED:		DWN: R. SORAH 6-23-97		CHK: R. TALLEY 6-23-97		NAME: S.O. DIMM, SOCKET ASSY, 0.8mm, 3.3V 144 POSITION, 3.7 MM PROFILE FOR SGRAM TYPE MODULE	
mm	0 PLC ±0.2	1 PLC ±0.2	2 PLC ±0.2	3 PLC ±0.2	4 PLC ±0.2	APVD: SE LEONG	PRODUCT SPEC	APPLICATION SPEC	SIZE: A1
MATERIAL:	FINISH: SEE TABLE	WEIGHT:	CAGE CODE: 00779	DRAWING NO: C=390111	RESTRICTED TO:	CUSTOMER DRAWING		SCALE: 4:1	SHEET: 2 OF 2
								REV: P1	