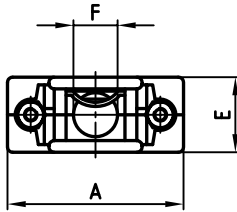
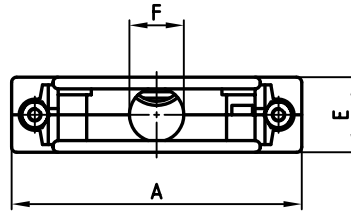


used for: D-SUB

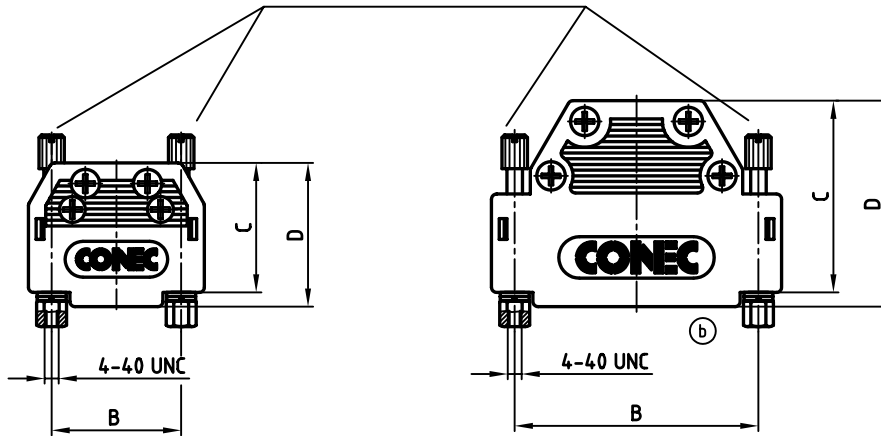
9 pos.



15-37 pos.

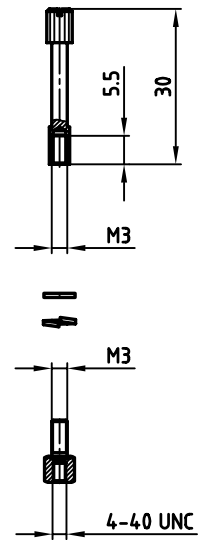


SEE DETAIL VIEW



DETAIL VIEW

SCREW LOCK



No. of pos.	A	B	C	D	E	F	Part No:
9	34.0	25.0	25.0	27.75	14.5	8.5	165X11009X
15	42.3	33.3	37.0	39.75	14.5	10.0	165X11019X
25	56.0	47.0	37.0	39.75	14.5	10.5	165X11029X
37	72.5	63.5	37.0	39.75	14.5	10.5	165X11039X

(b)

Directive 2002/95/EC
"RoHS"
Compliant

NOTES:

- HOOD MATERIAL: ABS V0 / METALLIZED
- SCREWLOCK: MATERIAL: BRASS NICKEL-PLATING

APPROVAL * FREIGABE * DEBLOCAGE * AUTORIZACION * APPROVAL

CUSTOMER APPROVAL DATE:

NAME: TITLE:

COMPANY NAME:

APPROVAL * FREIGABE * DEBLOCAGE * AUTORIZACION * APPROVAL

THIS DRAWING MAY NOT BE COPIED OR REPRODUCED IN ANY WAY, AND MAY NOT BE PASSED ON TO A THIRD PARTY, WITHOUT WRITTEN PERMISSION. OWNERSHIP AND COPYRIGHT OF CONEC GmbH DO NOT ALTER CAD DRAWING BY HAND

rev.	description	date	name
5 x b	Ä 2286	02.08.2005	HS

2002	date	name
drawn	04.03.	Schmidt
appd.	04.03.	Mickenbecker
norm		
d-old	KAT11YSA	

CONEC

tolerance dim. in mm

scale: 1:1

material: SEE NOTES

title: PLASTIC HOOD with staight cable exit and screw lock, 9-37 pos. (b)

dwg no: AutoCAD 2000 DIN-A 3 sh: 1/1

part no: SEE TABLE