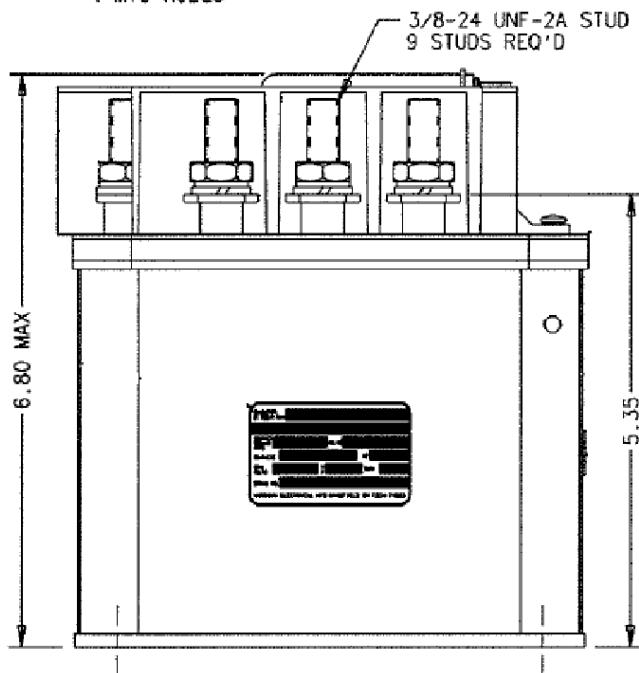
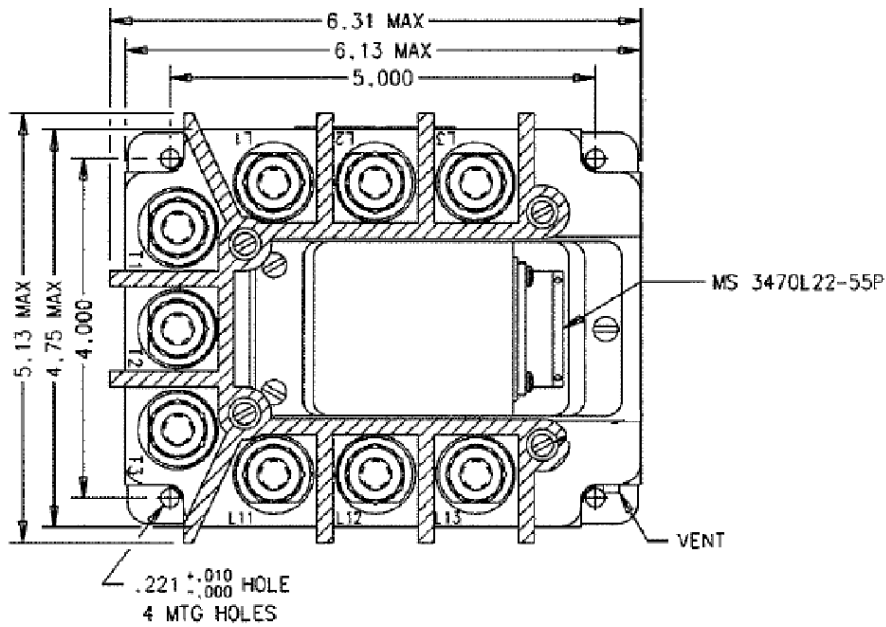


B-461D-1
A.C. POWER CONTACTOR
175 - 250 AMP
TPDT CENTRE OFF

REVISIONS

REV.	ECO	DESCRIPTION	DATE	APPROVED
B	42437	FAA/PMA & FIND NOS 12 & 14 ADDED	10MAY2000	RS



NOTES:

1. THIS UNIT MEETS THE MATERIAL AND WORKMANSHIP REQUIREMENTS OF MIL-R-6106
2. KEYWAY POSITIONED TOWARDS TOP OF CONNECTOR
3. COIL TRANSIENT VOLTAGE LIMITED TO $\pm 42V$ MAX
4. DIODES TO BE JANTX 1000 PIV

ALL DIMENSIONS ARE IN INCHES



TE CONNECTIVITY
175 N, DIAMOND STREET MANSFIELD,
OHIO 44902

TITLE
A.C. POWER CONTACTOR
175 - 250 AMP
TPDT CENTRE OFF

TE P.N.
1616045-5

DWG NO.
B-461D-1

DS DATA SHEET

CAGE CODE
74063

SCALE
NONE

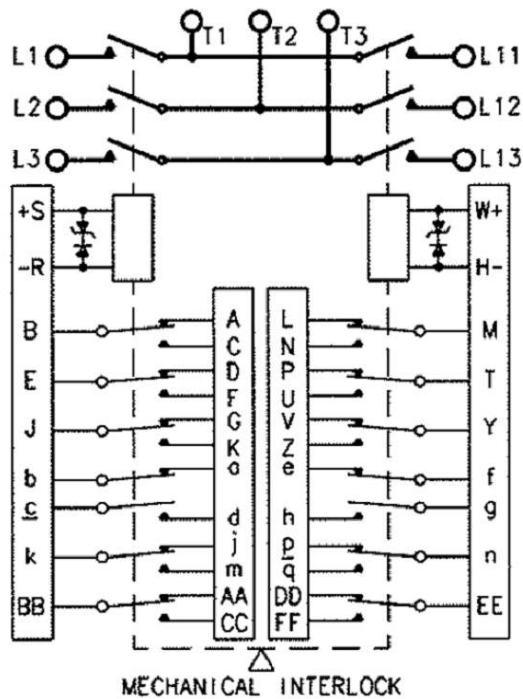
SHEET
1 OF 2

REV
B

GENERAL SPECIFICATION

CLASS AS TYPE 11/MIL-R-6106E EXCEPT AS NOTED	
CONSTRUCTION	GASKET SEALED (VENTED)
MAIN CONTACTS	
CONFIGURATION	3PDT CENTER OFF
VOLTAGE (NOMINAL)	115/208 VAC, 400 HZ.
CURRENT:	250 AMP/MIL-R-6106E
RESISTIVE	175 AMP
MOTOR	1750 AMP
RUPTURE	2500 AMP
INTERRUPT	
AUXILIARY CONTACTS	
CONFIGURATION	10 SPDT 4 SPST
VOLTAGE (NOMINAL)	28 VDC OR 115 VAC, 400 HZ.
CURRENT:	5 AMP WITH A CONTACT VOLTAGE DROP OF 200MV MAX.
RESISTIVE	5 AMP
INDUCTIVE	3.7 AMP
LAMP	
COIL DATA	
DUTY CYCLE	CONTINUOUS
COIL VOLTAGE, NOMINAL	28 VDC
PICKUP, MAX.	18 VDC AT 25°C
DROPOUT	1 TO 7 VDC AT 25°C
CURRENT, HOLD	.7 AMP MAX. AT 25°C
PICKUP TIME	50 MS MAX. AT 28 VDC
RELEASE TIME	35 MS MAX. AT 28 VDC
ENVIRONMENTAL DATA	
AMBIENT TEMPERATURE	-55°C TO +71°C
VIBRATION: SINE	.036 INCH DA FROM 10 TO 75 HZ. 10 G'S FROM 75 TO 500 HZ.
ACCELERATION	10 G'S
SHOCK	15 G'S MAX. FOR 11 MS
ALTITUDE	50,000 FEET MAX.
LIFE	
ELECTRICAL	50,000 CYCLES MIN.
MECHANICAL	100,000 CYCLES MIN.
WEIGHT	7 LBS. MAX.

SCHEMATIC



TE CONNECTIVITY
175 N. DIAMOND STREET MANSFIELD,
OHIO 44902

TITLE
A.C. POWER CONTACTOR
175 - 250 AMP
TPDT CENTRE OFF

TE P.N.
1616045-5

DWG NO.
B-461D-1

THIRD ANGLE PROJECTION

THIS DRAWING PREPARED
IN ACCORDANCE WITH
ANSI/ASMEY14.5M-1982

CAGE CODE
74063

SCALE
NONE

SHEET
2 OF 2

REV
B