

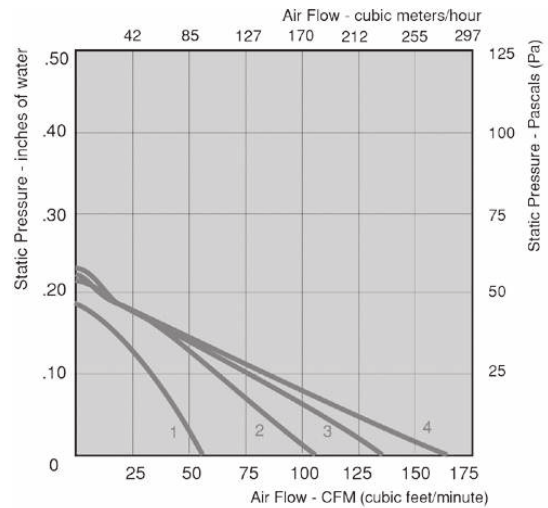


QLN65DC Series Crossflow Blower

120... 300mm x Ø 65mm

- DC blower with brushless DC motor. Sleeve bearings and terminals. Max ambient temperature of 60 C.
- High volume and performance already at a low air velocity, therefore low noise level.
- Fan propeller of aluminum and air duct housing of sheet steel.
- Rotational direction CW looking at rotor.
- UL, CSA, VDE approvals on some models. Please contact application engineering

Part Number	Model Number	Curve	CFM @ 0	VDC	Volt. Range	Power (W)	dBA	Bobbin Position
55616.15001	QLN65120059121615001	1	53	12	7 to 13	7	38	Right
55616.17001	QLN65001259121617001	1	53	12	7 to 13	7	38	Left
55616.27011	QLN65001859241627011	2	106	12	7 to 13	8	46	Left
55616.25011	QLN65180059241625011	2	106	12	7 to 13	8	46	Right
55616.30001	QLN65240059241630001	3	132	12	7 to 13	10	47	Right
55616.32011	QLN65002459241632011	3	132	12	7 to 13	10	47	Left
55616.35010	QLN65300059241635010	4	163	12	7 to 13	12	50	Right
55616.37002	QLN65003059241637002	4	163	12	7 to 13	12	50	Left
<hr/>								
55616.17000	QLN65001259121617000	1	53	24	14 to 26	7	38	Left
55616.15000	QLN65120059121615000	1	53	24	14 to 26	7	38	Right
55616.27010	QLN65001859241627010	2	106	24	14 to 26	8	46	Left
55616.25010	QLN65180059241625010	2	106	24	14 to 26	8	46	Right
55616.30000	QLN65240059241630000	3	132	24	14 to 26	10	47	Right
55616.32010	QLN65002459241632010	3	132	24	14 to 26	10	47	Left
55616.35000	QLN65300059241635000	4	163	24	14 to 26	12	50	Right
55616.37000	QLN65003059241637000	4	163	24	14 to 26	12	50	Left

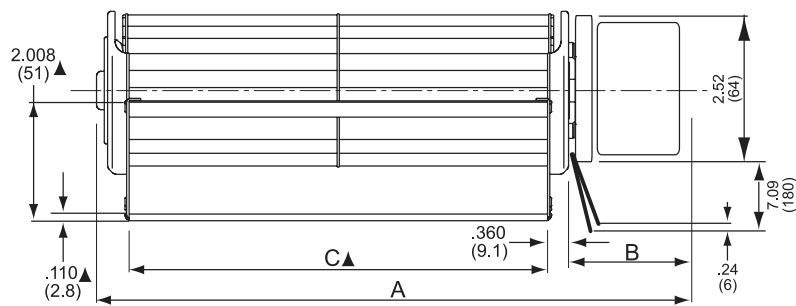
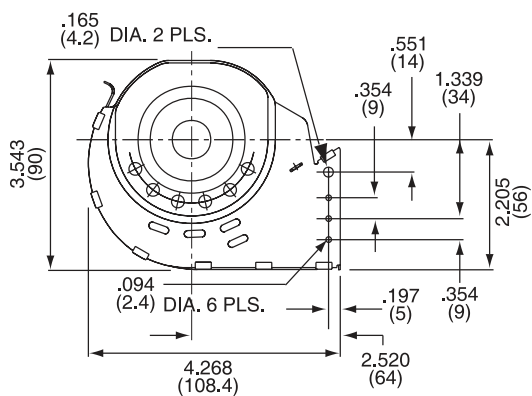


QLN65DC Series Mechanical Data

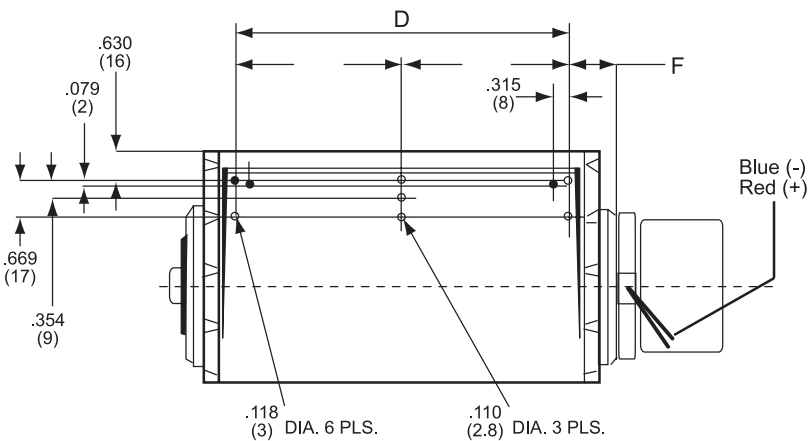
Crossflow Blower

120... 300mm x Ø 65mm

Part Number	Motor Position	A		B		C		D		E		F	
		inch	mm	inch	mm	inch	mm	inch	mm	inch	mm	inch	mm
QLN65/1200-59121615000 QLN65/1200-59121615001 QLN65/0012-59121617000 QLN54/0012-59121617001	Left Left Right Right	7.52	191	1.73	44	4.72	120	3.70	94	N/A	N/A	0.87	22.2
QLN65/0018-59241627010 QLN65/0018-59241627011 QLN65/1800-59241625010 QLN65/1800-59241625011	Left Left Right Right	10.35	263	2.20	56	7.09	180	6.06	154	3.03	77	0.87	22.2
QLN65/0024-59241632010 QLN54/0024-59241632011 QLN54/2400-59241630000 QLN65/2400-59241630001	Left Left Right Right	12.72	323	2.20	56	9.45	240	8.35	212	4.17	106	0.91	23.2
QLN65/0030-59241637000 QLN65/0030-59241637002 QLN65/3000-59241635000 QLN65/0030-59241635010	Left Left Right Right	15.08	383	2.20	56	11.81	300	10.71	272	5.35	136	0.91	23.2



Dimensions: inches (mm)
 ▲ Dimension denotes air outlet



All data subject to change without notice

ebmpapst

e-mail: sales@us.ebmpapst.com - TEL: 860-674-1515 - FAX: 860-674-8536
 ebm-papst Inc., 100 Hyde Road, Farmington, CT 06034 USA

ebm-papst Inc., 2004 © ebm-papst Inc. reserves the right to change any specifications or data without notice