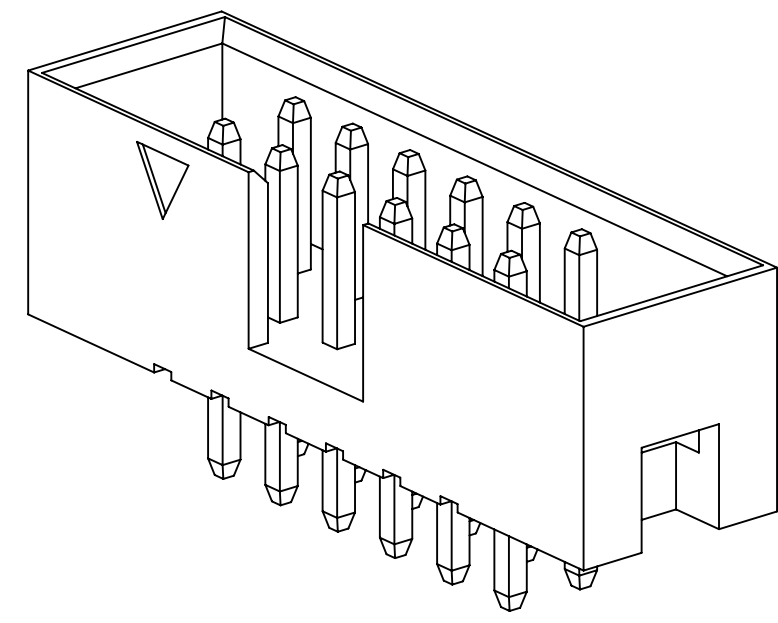
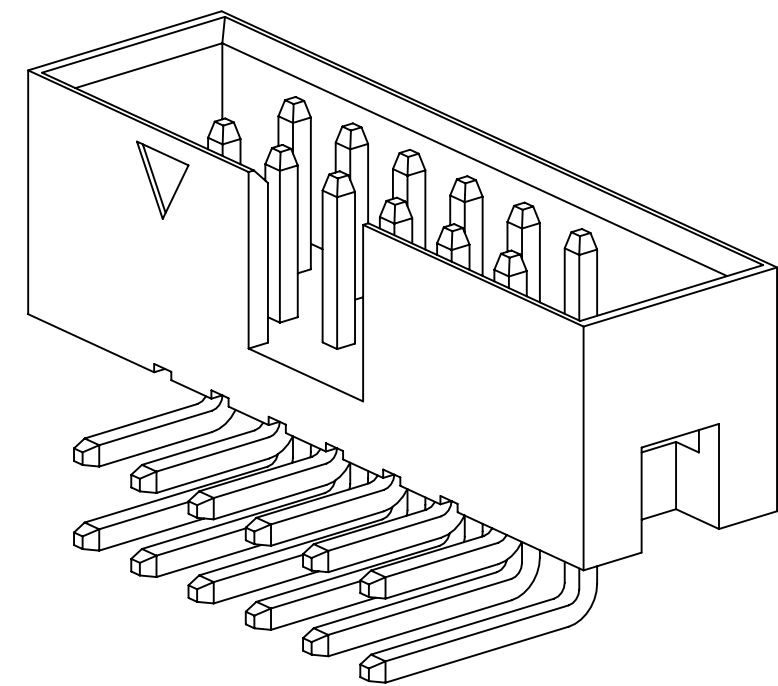


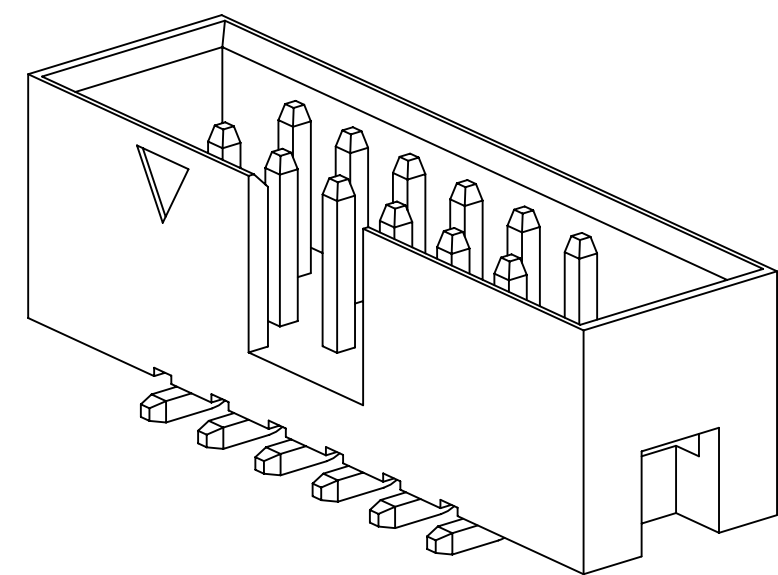
3M™ BOX HEADER, 9572 SERIES
2MM X 2MM, STRAIGHT, RIGHT ANGLE AND SURFACE MOUNT, SOLDER TAIL



DUAL ROW
STRAIGHT
VERSION



DUAL ROW
RIGHT ANGLE
VERSION



DUAL ROW
SURFACE MOUNT
VERSION

2 PHYSICAL :

INSULATOR :
MATERIAL : HIGH TEMP THERMOPLASTIC
FLAMMABILITY : UL94V-0
COLOR : BLACK
CONTACT :
MATERIAL : COPPER ALLOY
PLATING :
UNDER PLATING : 50-100μ" [1.27-2.54μm] NICKEL-OVERALL
WIPING AREA : GOLD FLASH
SOLDER TAILS : 40-118μ" [1-3μm] MATTE TIN

2 ELECTRICAL :

CURRENT RATING : 2A
CONTACT RESISTANCE : ≤20 mΩ
INSULATION RESISTANCE : ≥1000 MΩ
WITHSTANDING VOLTAGE : 500 Vr.m.s, 1mA, 60s

2 MECHANICAL :

RETENTION FORCE : ≥ 4.5N PER PIN

2 ENVIRONMENTAL :

TEMPERATURE RATING : -40° C TO 125° C
HUMIDITY : <93% AT 40° C
RESISTANCE TO SOLDERING HEAT : 260° C±5° C, 10s

- NOTES
1. REGULATORY INFORMATION:
VISIT 3M.com/regs
 2. IN THE EVENT OF CONFLICT BETWEEN THIS DATA AND THAT CONTAINED IN THE PRODUCT SPECIFICATION, THE PRODUCT SPECIFICATION TAKES PRECEDENT.
 3. N = THE NUMBER OF POSITIONS.
 4. CONTACT YOUR 3M REPRESENTATIVE FOR AVAILABILITY OF ADDITIONAL CUSTOM POSITIONS.

3M™ ELECTRONICS MATERIALS SOLUTIONS DIVISION
INTERCONNECT SOLUTIONS
<http://www.3m.com/interconnect>

3M IS A TRADEMARK OF 3M COMPANY.
FOR TECHNICAL, SALES OR ORDERING
INFORMATION CALL 800-225-5373

3M
UL FILE NO: E68080

DIMENSIONS: MM (INCH)
(INCH) FOR REF. ONLY

DESIGN REFERENCE	NEXT ASSEMBLY	REV	ECO	ISSUE DATE AND DESCRIPTION	DRFT	CHKD
F	106672			AUG 31,2022 ADD OREINTATION SLOT	JNC	FJR
E	104062			APR 20,2022 REVISE ORDERING INFO	JNC	FJR
D	90462			APR 27,2020 REVISED WARRANTY STATEMENT REVISED TABLE 1 ON SHEETS 2 AND 3	LDS	FJR
C	78557			APR 05,2018 UPDATE TABLE 1 TO REMOVE (IN) VALUES	SBO	FR
B	74628			JUL 06,2017 △ WAS: -40C TO 105C	LDS	SC
A	72044			FEB 02,2017 PRODUCTION RELEASE	JNC	TS

APPROVED	DATE	APPROVED	DATE
CASTIGLIONE	MAY 14,2015	SUNIGA	MAY 14,2015

DO NOT SCALE DRAWING	SCALE	TOLERANCES EXCEPT AS NOTED
	6 1	

THIRD ANGLE PROJECTION	INCHES	MILLIMETERS
	0 ± 2	0 ± 2
	.00 ± 0.20	.00 ± 0.20
	.000 ± 0.005	.000 ± 0.005

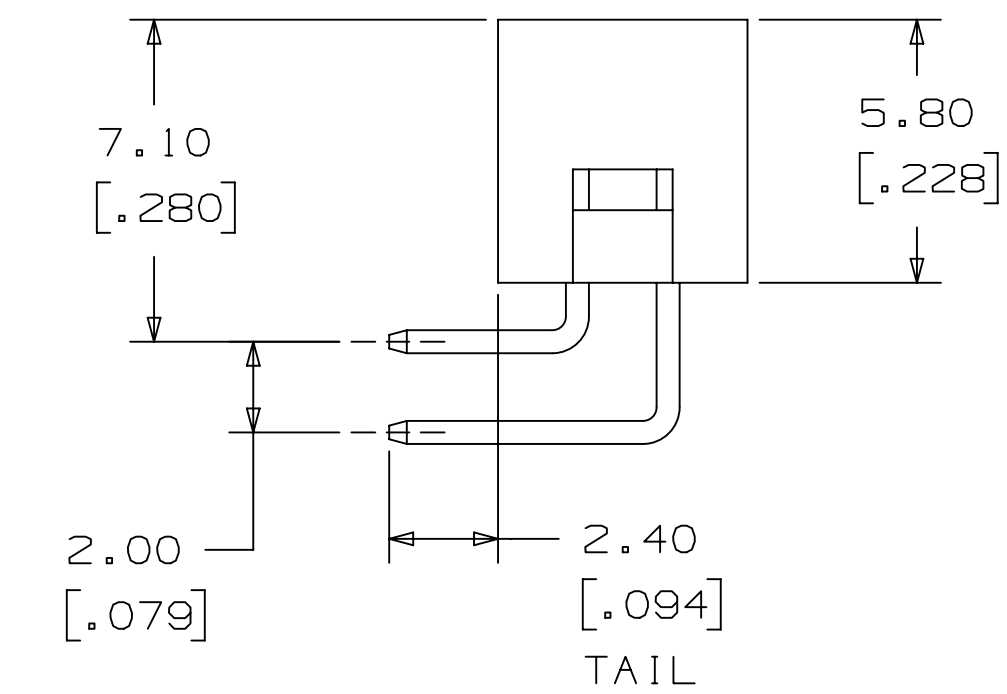
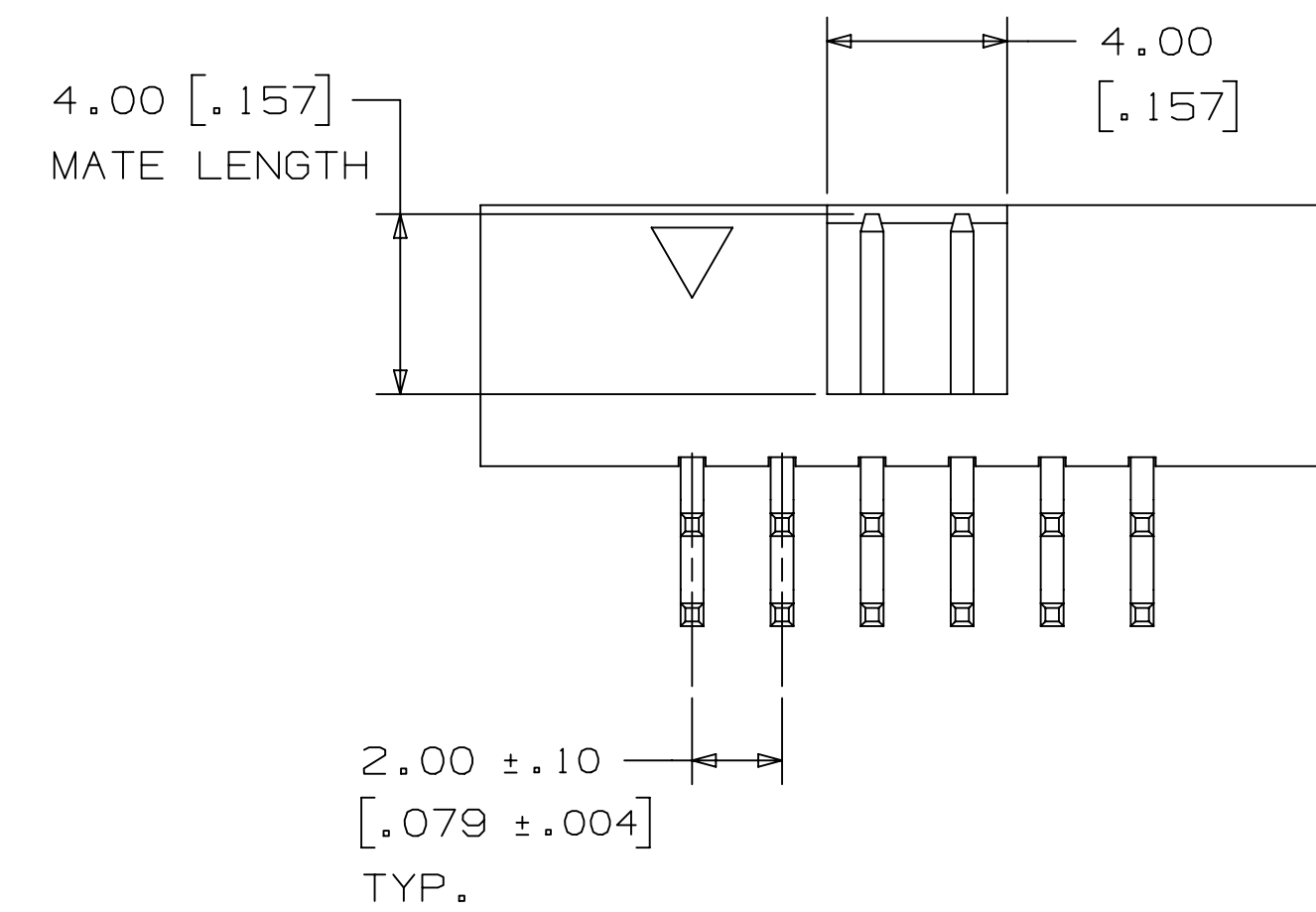
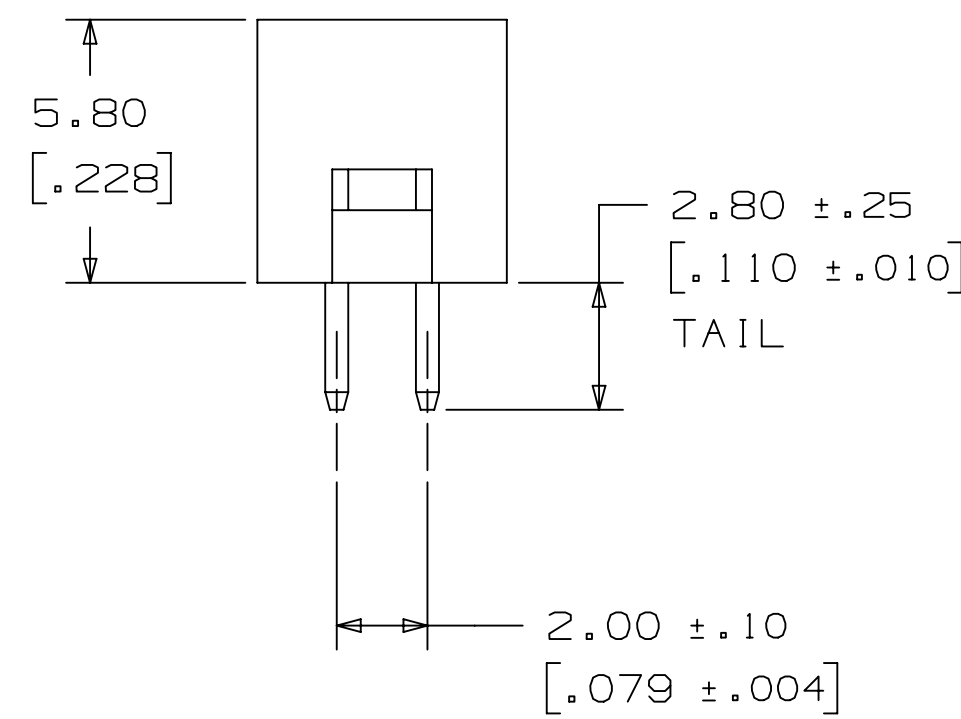
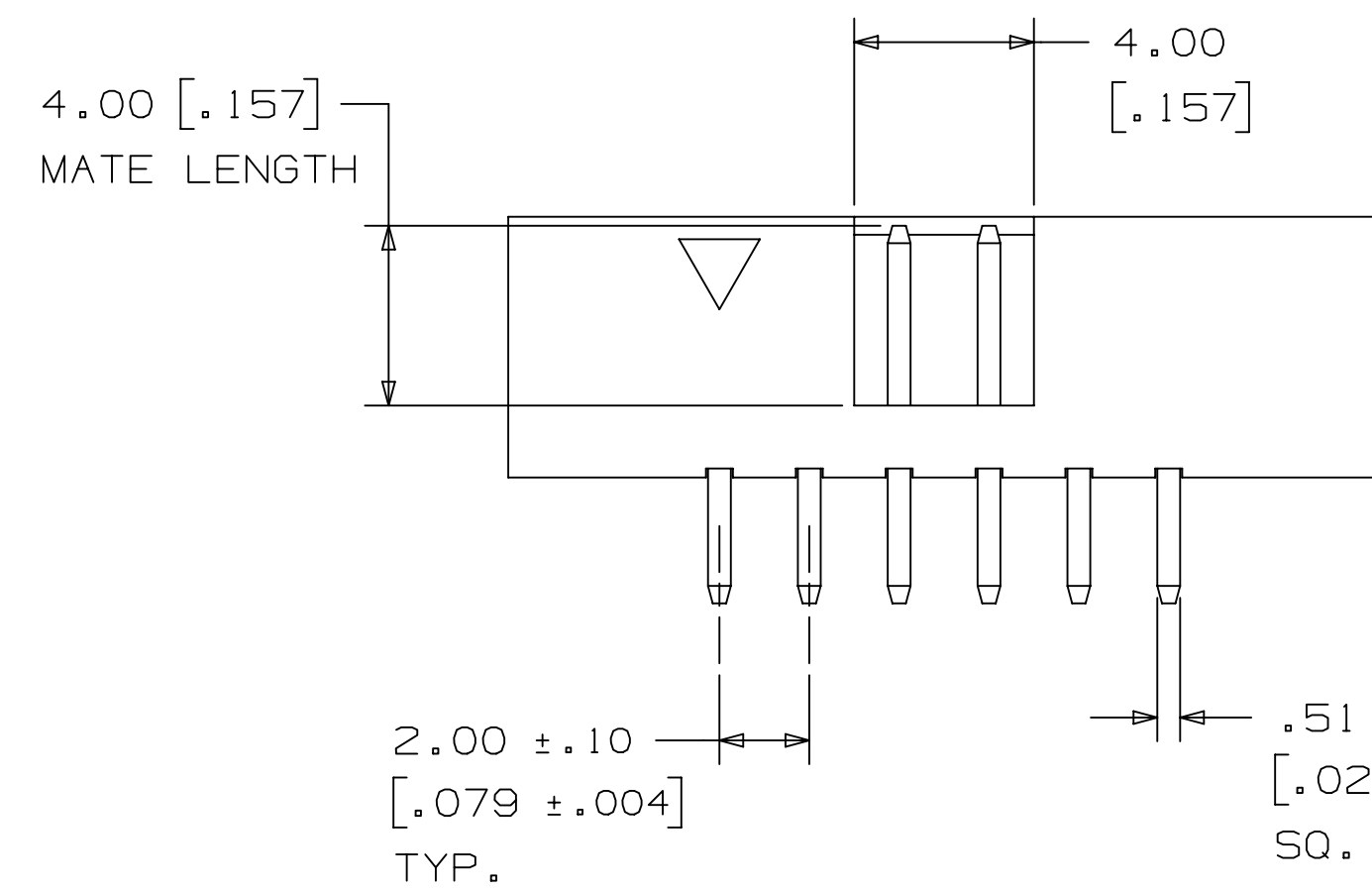
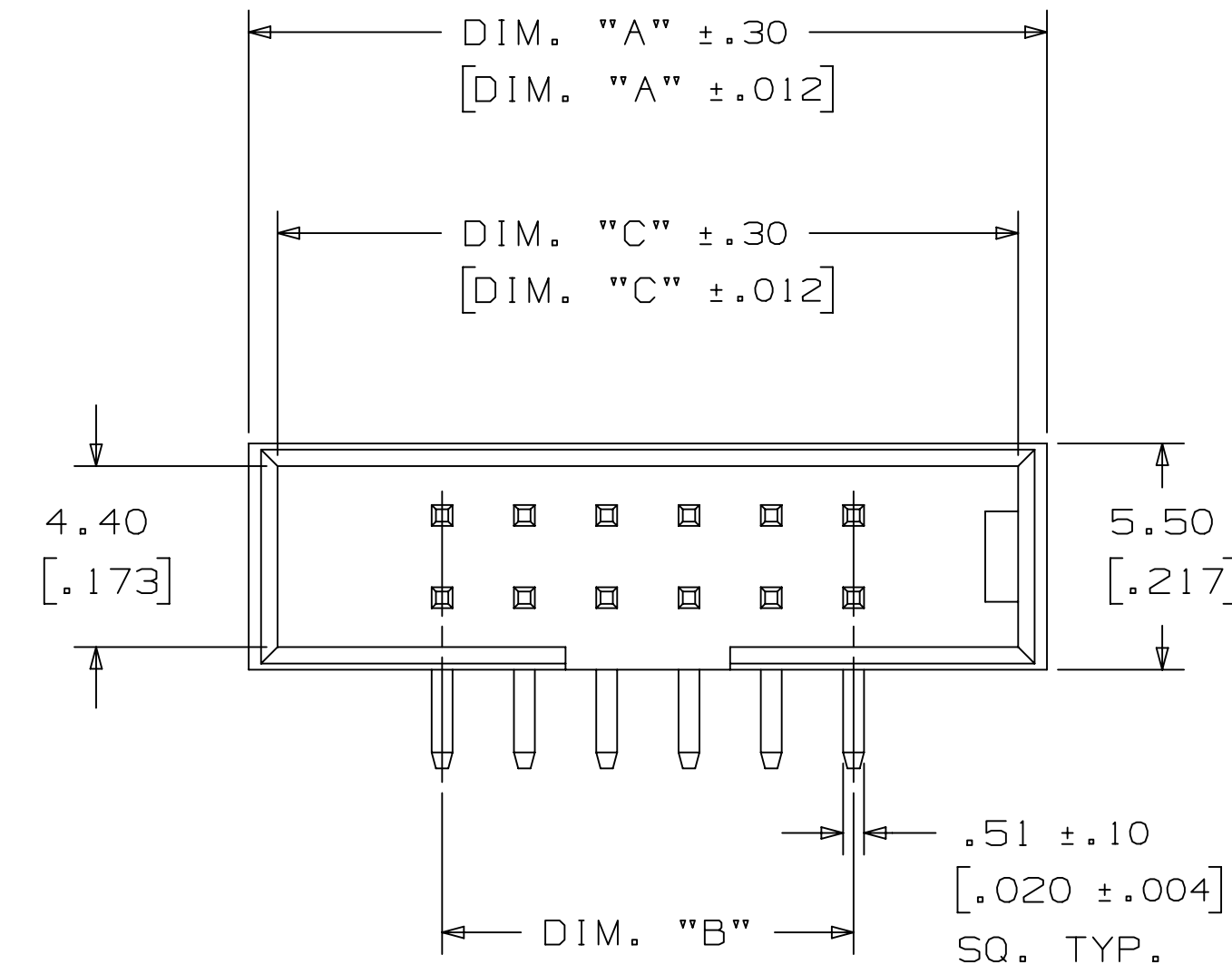
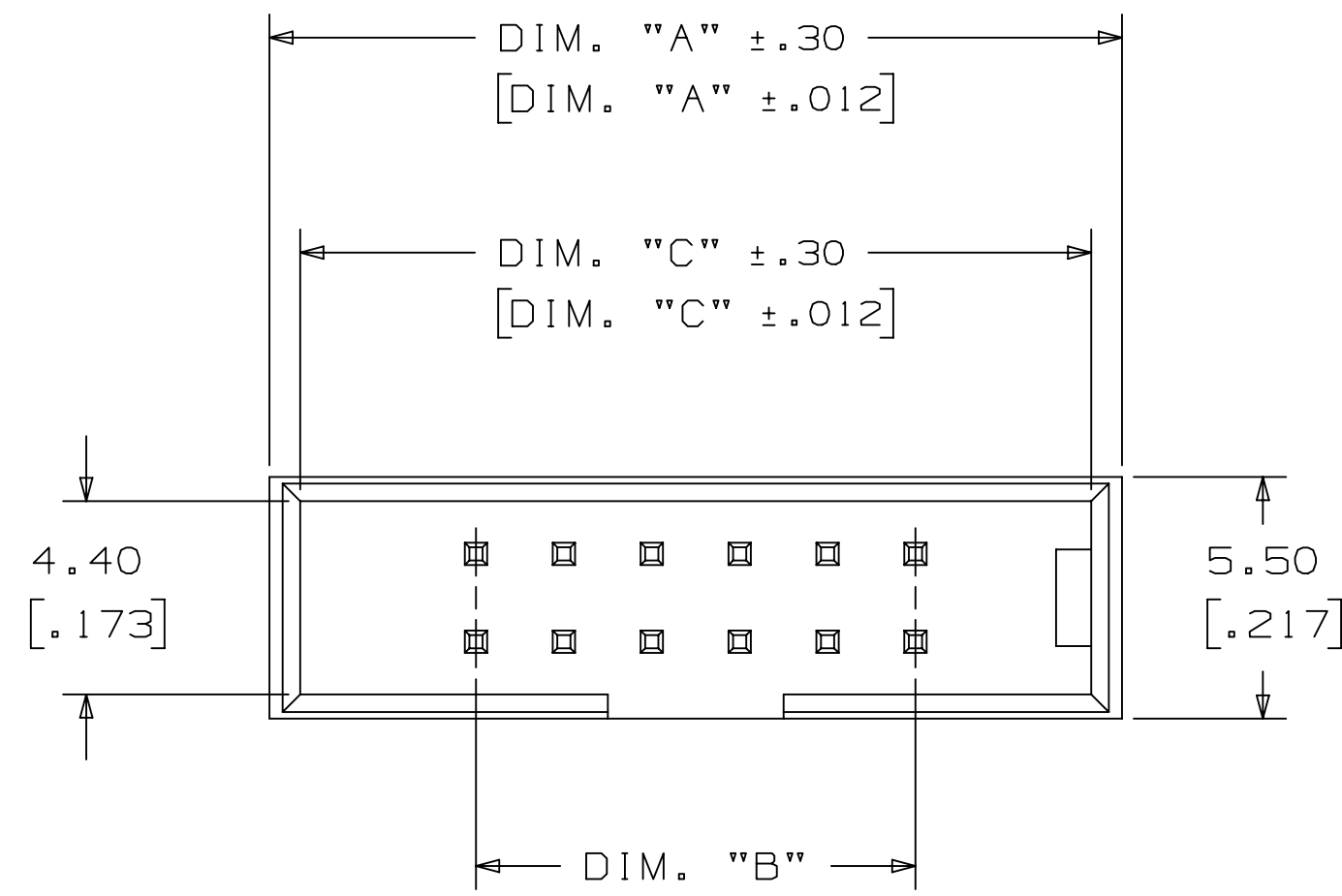
TITLE	CAGE NUMBER	SIZE	DRAWING NO.	REV.
BOX HEADER, 2MM, STRAIGHT, RIGHT ANGLE AND SMT	D	78-5100-2656-6	F	

MAX SURFACE ROUGHNESS	ALL SURFACES	MARKED ONLY	ANGLES

78-5100-2656-6
DRAWING NUMBER

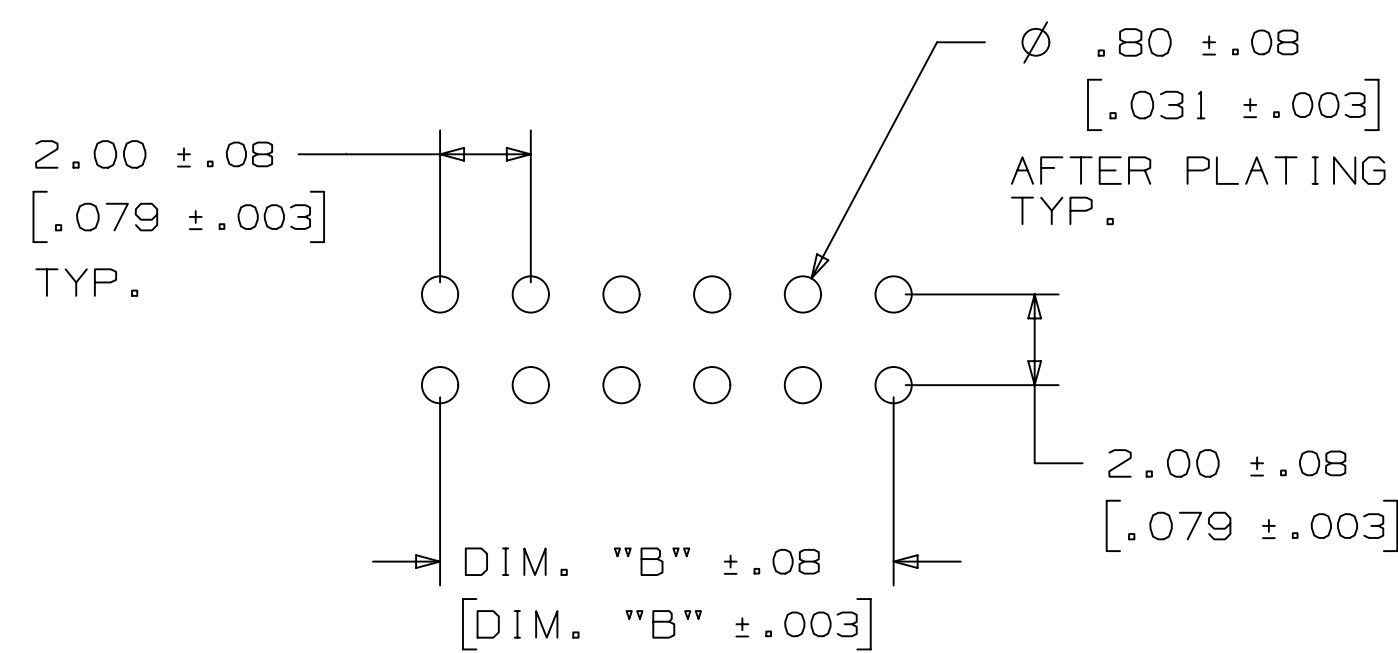
A

3M™ BOX HEADER, 9572 SERIES
2MM X 2MM, STRAIGHT, RIGHT ANGLE AND SURFACE MOUNT, SOLDER TAIL



STRAIGHT VERSION

RIGHT ANGLE VERSION



RECOMMENDED PC BOARD LAYOUT
FOR STRAIGHT AND RIGHT ANGLE VERSIONS
(VIEWED FROM CONNECTOR SIDE)

ORDERING INFORMATION
(STRAIGHT & RIGHT ANGLE ONLY)

9572XX-X002-AR

CONTACT QTY: 10-50 (SEE NOTE 4)
MOUNTING STYLE: 5 = RIGHT ANGLE, 6 = STRAIGHT

TABLE 1 mm	
DIM. "A"	$((N/2) - 1) \times 2.00 + 9.40$
DIM. "B"	$((N/2) - 1) \times 2.00$
DIM. "C"	$((N/2) - 1) \times 2.00 + 8.00$
SEE NOTE 3	

3M ELECTRONICS MATERIALS SOLUTIONS DIVISION
INTERCONNECT SOLUTIONS
<http://www.3M.com/interconnect>

3M IS A TRADEMARK OF 3M COMPANY.
FOR TECHNICAL, SALES OR ORDERING
INFORMATION CALL 800-225-5373

REV	ECO	ISSUE DATE AND DESCRIPTION	DRFT	CHKD
F	106672	AUG 31, 2022 ADD ORIENTATION SLOT	JNC	FJR
E	104062	APR 20, 2022 REVISE ORDERING INFO	JNC	FJR
D	90462	APR 27, 2020 REVISED WARRANTY STATEMENT REVISED TABLE 1 ON SHEETS 2 AND 3	LDS	FJR
C	78557	APR 05, 2018 UPDATE TABLE 1 TO REMOVE [IN] VALUES	SBO	FR
B	74628	JUL 06, 2017 △ WAS: -40C TO 105C	LDS	SC
A	72044	FEB 02, 2017 PRODUCTION RELEASE	JNC	TS

DESIGN REFERENCE	NEXT ASSEMBLY	REV	ECO	ISSUE DATE AND DESCRIPTION	DRFT	CHKD
		DRFT	CASTIGLIONE	MAY 14, 2015	MFG	DATE
		CHKD		DATE	APPV	DATE
					T. SUNIGA	MAY 14, 2015

DO NOT SCALE DRAWING	SCALE	TOLERANCES EXCEPT AS NOTED
	6/1	

THIRD ANGLE PROJECTION	INTERPRET PER ASME Y14.5 - 2018	MILLIMETERS
		0 ± 2
		.00 ± 0.20
		.000 ± 0.005

TITLE	CAGE NUMBER	SIZE	DRAWING NO.	REV.
BOX HEADER, 2MM, STRAIGHT, RIGHT ANGLE AND SMT	D	78-5100-2656-6	F	

DRAWING NUMBER 78-5100-2656-6

REVISION A

SHT 2 OF 4

3M™ BOX HEADER, 9572 SERIES
2MM X 2MM, STRAIGHT, RIGHT ANGLE AND SURFACE MOUNT, SOLDER TAIL

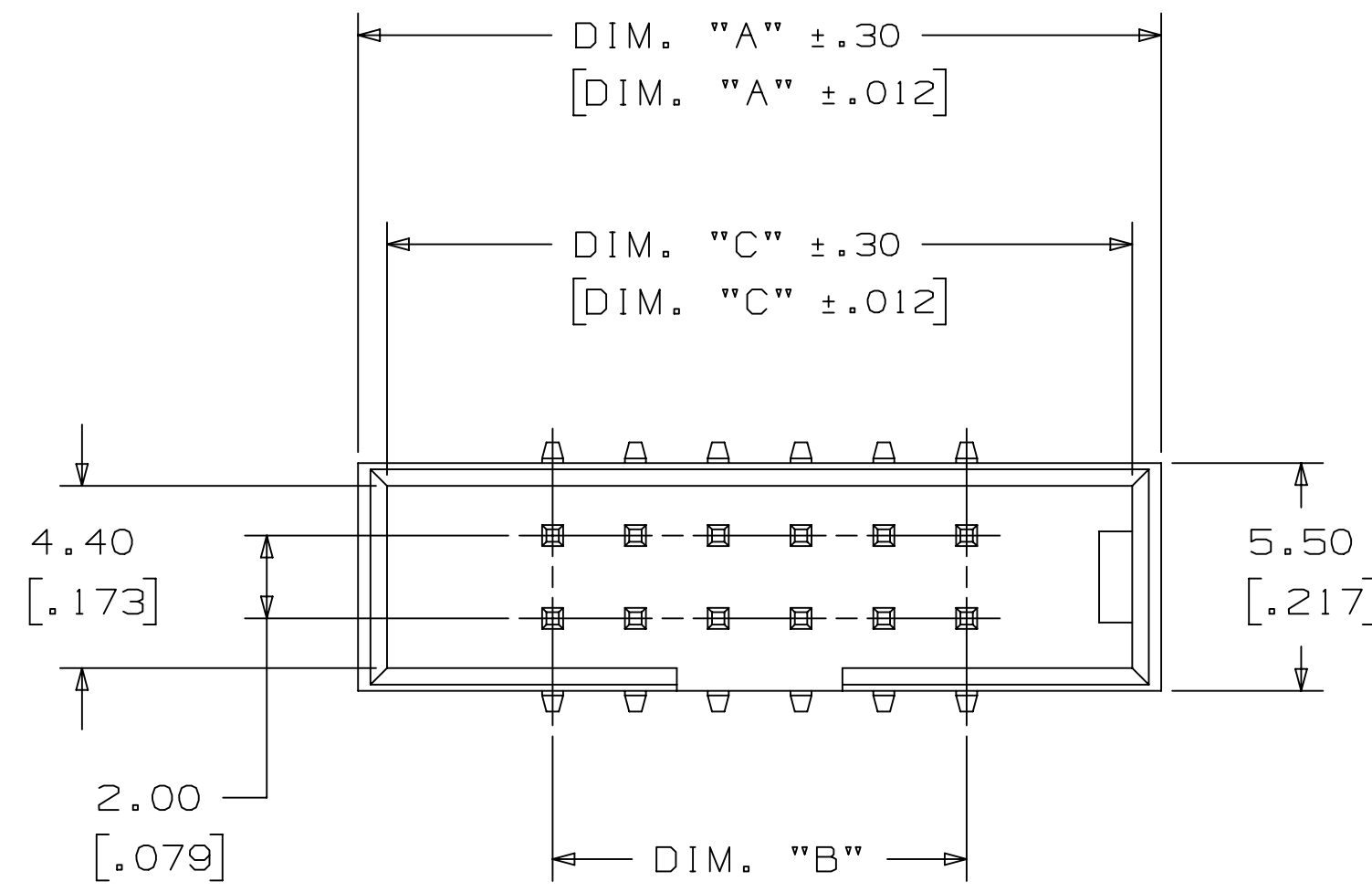
ORDERING INFORMATION
(SURFACE MOUNT ONLY)

9572XX-20X0-AR-XX

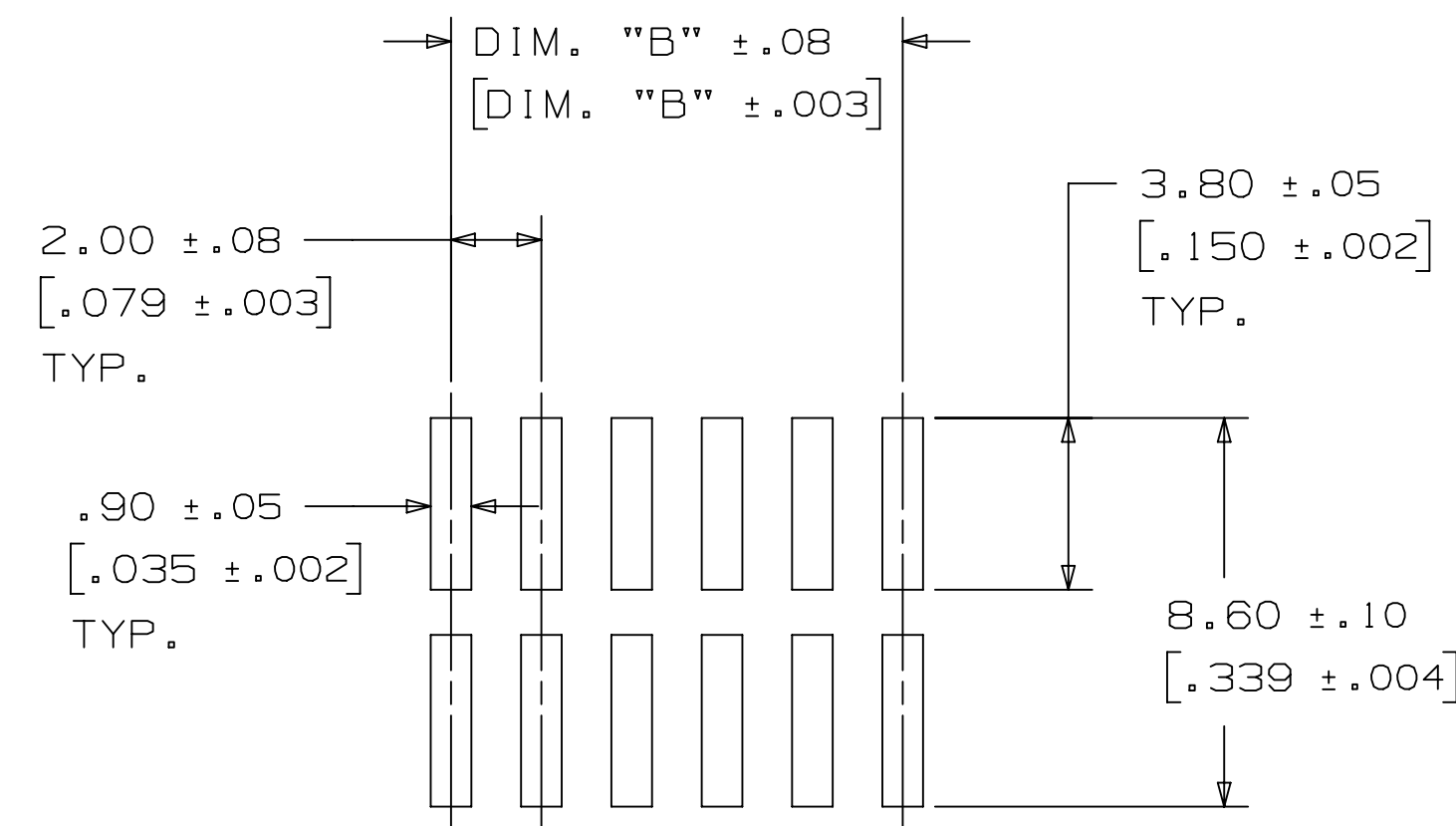
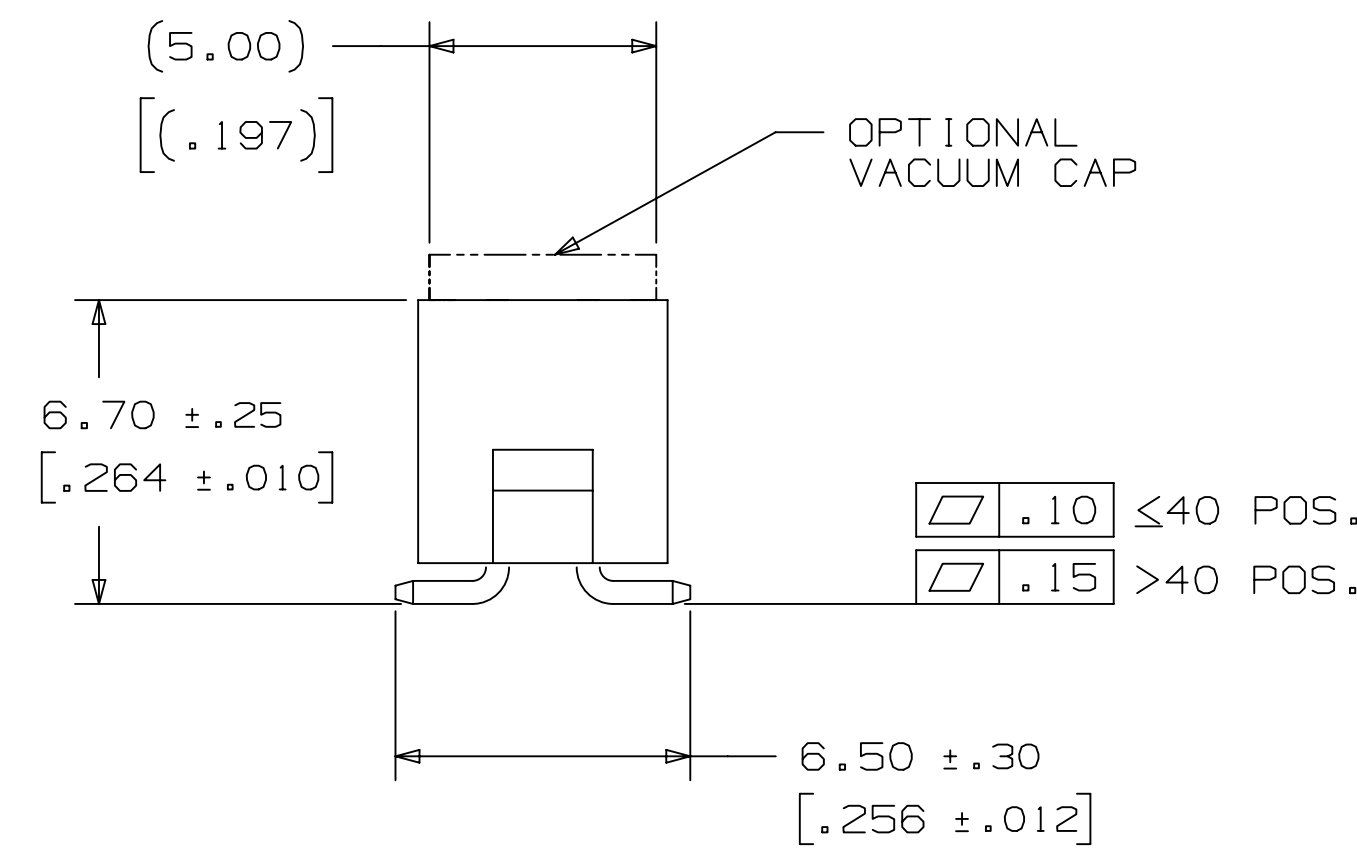
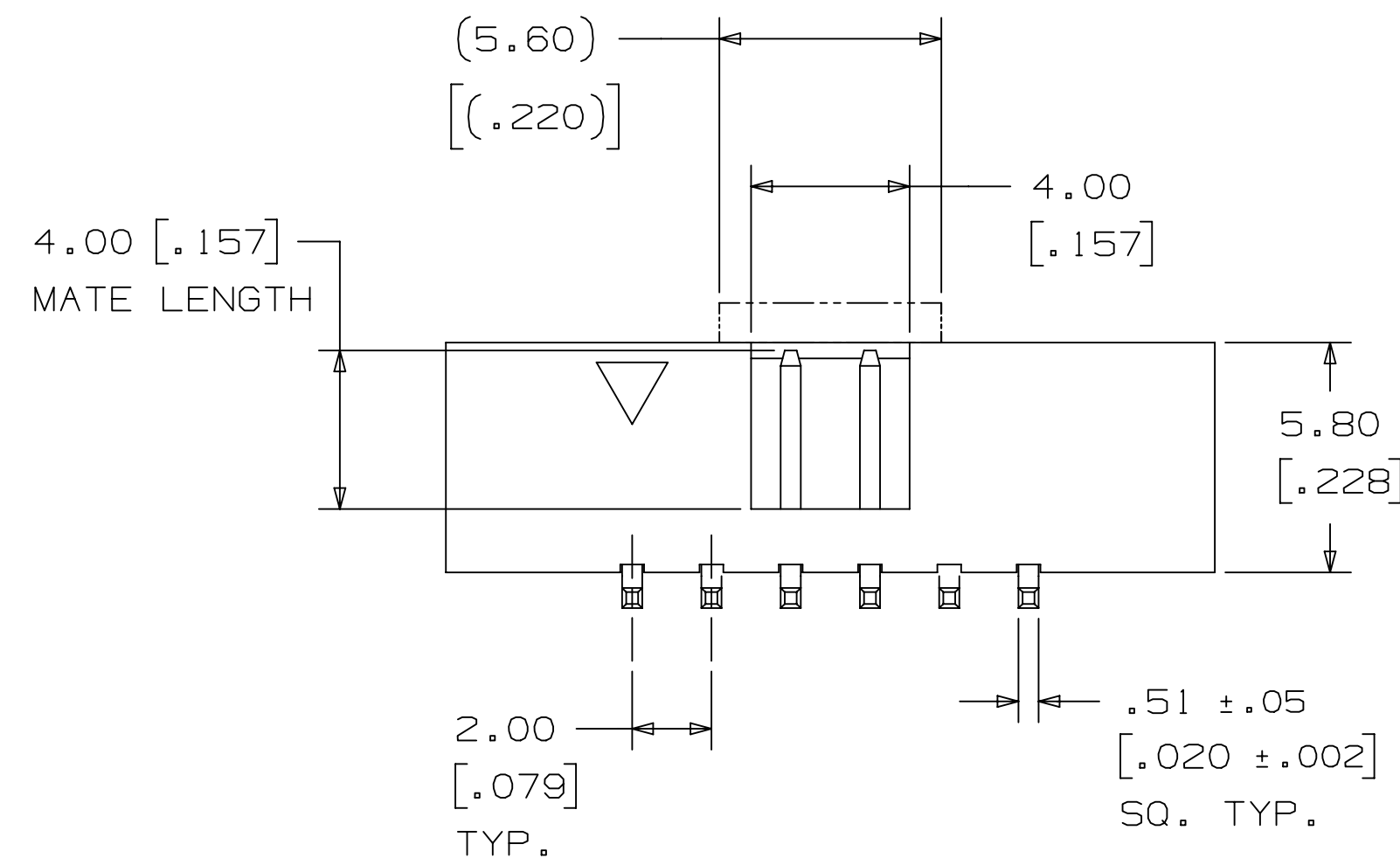
CONTACT QTY:
10-50
(SEE NOTE 4)

LOCATING POST:
0 = NONE

PACKAGING:
TP = TUBE WITHOUT PAD
PT = TUBE WITH PAD
PR = TAPE & REEL WITH PAD
SEE TABLE 2



CONTACT QTY.	10-12	14-24	26-34	40-50	60-68
TAPE WIDTH [MM]	32	44	56	72	88



RECOMMENDED PC BOARD LAYOUT
(VIEWED FROM CONNECTOR SIDE)

DIM. "A"	$((N/2) - 1) \times 2.00 + 9.40$
DIM. "B"	$((N/2) - 1) \times 2.00$
DIM. "C"	$((N/2) - 1) \times 2.00 + 8.00$

SEE NOTE 3

REV	ECO	ISSUE DATE AND DESCRIPTION	DRFT	CHKD
F	106672	AUG 31, 2022 ADD ORIENTATION SLOT	JNC	FJR
E	104062	APR 20, 2022 REVISE ORDERING INFO	JNC	FJR
D	90462	APR 27, 2020 REVISED WARRANTY STATEMENT REVISED TABLE 1 ON SHEETS 2 AND 3	LDS	FJR
C	78557	APR 05, 2018 UPDATE TABLE 1 TO REMOVE [IN] VALUES	SBO	FR
B	74628	JUL 06, 2017 △ WAS: -40C TO 105C	LDS	SC
A	72044	FEB 02, 2017 PRODUCTION RELEASE	JNC	TS

DESIGN REFERENCE	NEXT ASSEMBLY	REV	ECO	ISSUE DATE AND DESCRIPTION	DRFT	CHKD
		DRFT	CASTIGLIONE	MAY 14, 2015	MFG	DATE
		CHKD		DATE	APPR	DATE
					T. SUNIGA	MAY 14, 2015

DO NOT SCALE DRAWING	SCALE 6/1	TOLERANCES EXCEPT AS NOTED
THIRD ANGLE PROJECTION	INCHES	0 ±
INTERPRET PER ASME Y14.5 - 2018	MILLIMETERS	0 ± 2
MAX SURFACE ROUGHNESS		.00 ± 0.20
ALL SURFACES		.000 ± 0.005
MARKED ONLY	ANGLES	±

		© 3M COPYRIGHT 2022 This document and the information it contains are 3M property and may not be reproduced or further distributed without 3M permission, or used or disclosed other than for 3M authorized purposes. All rights reserved.	
TITLE BOX HEADER, 2MM, STRAIGHT, RIGHT ANGLE AND SMT		CAGE NUMBER D78-5100-2656-6	
MODEL 9572		DET I/STs YES NO SHT 3 OF 4	

3M™ ELECTRONICS MATERIALS SOLUTIONS DIVISION
INTERCONNECT SOLUTIONS
<http://www.3m.com/interconnect>

3M IS A TRADEMARK OF 3M COMPANY.
FOR TECHNICAL, SALES OR ORDERING
INFORMATION CALL 800-225-5373

78-5100-2656-6
DRAWING NUMBER

REVISION

3M™ BOX HEADER, 9572 SERIES
 2MM X 2MM, STRAIGHT, RIGHT ANGLE AND SURFACE MOUNT, SOLDER TAIL

Regulatory: For regulatory information about this product, visit 3M.com/regs or contact your 3M representative.

Technical Information: The technical information, guidance, and other statements contained in this document or otherwise provided by 3M are based upon records, tests, or experience that 3M believes to be reliable, but the accuracy, completeness, and representative nature of such information is not guaranteed. Such information is intended for people with knowledge and technical skills sufficient to assess and apply their own informed judgment to the information. No license under any 3M or third party intellectual property rights is granted or implied with this information.

Product Use: Many factors beyond 3M's control and uniquely within user's knowledge and control can affect the use and performance of a 3M product in a particular application. As a result, customer is solely responsible for evaluating the product and determining whether it is appropriate and suitable for customer's application, including conducting a workplace hazard assessment and reviewing all applicable regulations and standards (e.g., OSHA, ANSI, etc.). Failure to properly evaluate, select, and use a 3M product in accordance with all applicable instructions and with appropriate safety equipment, or to meet all applicable safety regulations, may result in injury, sickness, death, and/or harm to property.

Warranty, Limited Remedy, and Disclaimer: Unless a different warranty is specifically stated on the applicable 3M product packaging or product literature (in which case such warranty governs), 3M warrants that each 3M product meets the applicable 3M product specification at the time 3M ships the product. 3M MAKES NO OTHER WARRANTIES OR CONDITIONS, EXPRESS OR IMPLIED, INCLUDING, BUT NOT LIMITED TO, ANY IMPLIED WARRANTY OR CONDITION OF MERCHANTABILITY, FITNESS FOR A PARTICULAR PURPOSE, OR ANY IMPLIED WARRANTY OR CONDITION ARISING OUT OF A COURSE OF DEALING, CUSTOM, OR USAGE OF TRADE. If a 3M product does not conform to this warranty, then the sole and exclusive remedy is, at 3M's option, replacement or repair of the 3M product or refund of the purchase price.

Limitation of Liability: Except for the limited remedy stated above, and except to the extent prohibited by applicable law, 3M will not be liable for any loss or damage arising from or related to the 3M product, whether direct, indirect, special, incidental, or consequential (including, but not limited to, lost profits or business opportunity), regardless of the legal or equitable theory asserted, including, but not limited to, warranty, contract, negligence, or strict liability.


Disclaimer: For industrial use only. Not intended, labeled or packaged for consumer sale or use.

3M Company
 Electronics Materials Solutions Division
 13011 McCallen Pass, Bldg. C
 Austin, TX 78753-5380
 1-800-225-5373
 www.3M.com/interconnect

3M™ ELECTRONICS MATERIALS SOLUTIONS DIVISION
 INTERCONNECT SOLUTIONS
<http://www.3m.com/interconnect>

3M IS A TRADEMARK OF 3M COMPANY.
 FOR TECHNICAL, SALES OR ORDERING
 INFORMATION CALL 800-225-5373

REV	ECO	ISSUE DATE AND DESCRIPTION	DRFT	CHKD
F	106672	AUG 31,2022 ADD OREINTATION SLOT	JNC	FJR
E	104062	APR 20,2022 REVISE ORDERING INFO	JNC	FJR
D	90462	APR 27,2020 REVISED WARRANTY STATEMENT REVISED TABLE 1 ON SHEETS 2 AND 3	LDS	FJR
C	78557	APR 05,2018 UPDATE TABLE 1 TO REMOVE [IN] VALUES	SBO	FR
B	74628	JUL 06,2017 △ WAS: -40C TO 105C	LDS	SC
A	72044	FEB 02,2017 PRODUCTION RELEASE	JNC	TS

DESIGN REFERENCE	NEXT ASSEMBLY	REV	ECO	ISSUE DATE AND DESCRIPTION	DRFT	CHKD
FACE CODES		DRFT	CASTIGLIONE	DATE	MAY 14,2015	MFG
		CHKD		DATE	MAY 14,2015	APPR
				DATE	MAY 14,2015	T. SUNIGA
DIVISION	DIVISION CODE	 © 3M COPYRIGHT 2022 This document and the information it contains are 3M property and may not be reproduced or further distributed without 3M permission, or used or disclosed other than for 3M authorized purposes. All rights reserved.				
DO NOT SCALE DRAWING	SCALE 1	TOLERANCES EXCEPT AS NOTED INCHES .0 ± .005 .00 ± .000 .000 ± .0000 MILLIMETERS 0 ± .2 .0 ± 0.5 .00 ± 0.20 .000 ± 0.005				
THIRD ANGLE PROJECTION		TITLE BOX HEADER, 2MM, STRAIGHT, RIGHT ANGLE AND SMT				
INTERPRET PER ASME Y14.5 - 2018		CAGE NUMBER	SIZE	DRAWING NO.	REV.	
MAX SURFACE ROUGHNESS		D	78-5100-2656-6	F		
MARKED ONLY		MODEL	9572	DET	YES <input type="checkbox"/> NO <input checked="" type="checkbox"/>	SHT 4 OF 4

78-5100-2656-6
DRAWING NUMBER

A