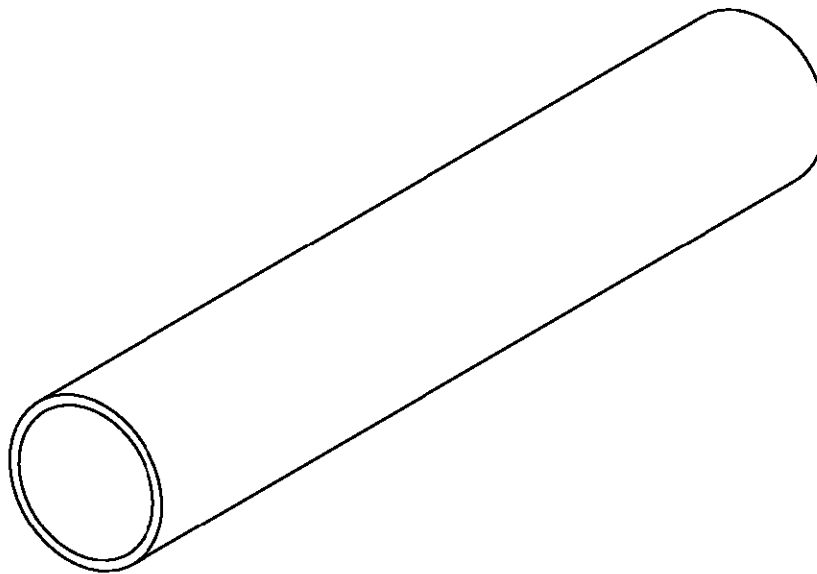


LOC	DIST	REVISIONS					
A1	-	P	LTR	DESCRIPTION	DATE	DWN	APVD
			A	EGCO-0137-03	19MAY03	ZA	-




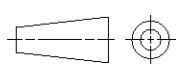
FOR TOOL 539764-1

2003

RELEASED FOR PUBLICATION

THIS DRAWING IS UNPUBLISHED.

© COPYRIGHT 2003 BY TYCO ELECTRONICS CORPORATION. ALL RIGHTS RESERVED.

DIMENSIONS: mm		DWN J. ZAJICEK	23MAR2004	MATERIAL	FINISH				
TOLERANCES UNLESS OTHERWISE SPECIFIED:		CHK	-	 tyco Electronics AMP GmbH D - 64625 Bensheim					
		APVD	-						
0 PLC ±		PRODUCT SPEC		NAME TUBE Rohr					
1 PLC ±		-							
2 PLC ±		APPLICATION SPEC		SIZE	CAGE CODE	DRAWING NO			
3 PLC ±		-		A 4	00779	©=5-1579007-9			
4 PLC ±		WEIGHT		RESTRICTED TO					
ANGLES ±°		-		-					
		CUSTOMER DRAWING				SCALE	SHEET	OF	REV
						5:1	1	1	A