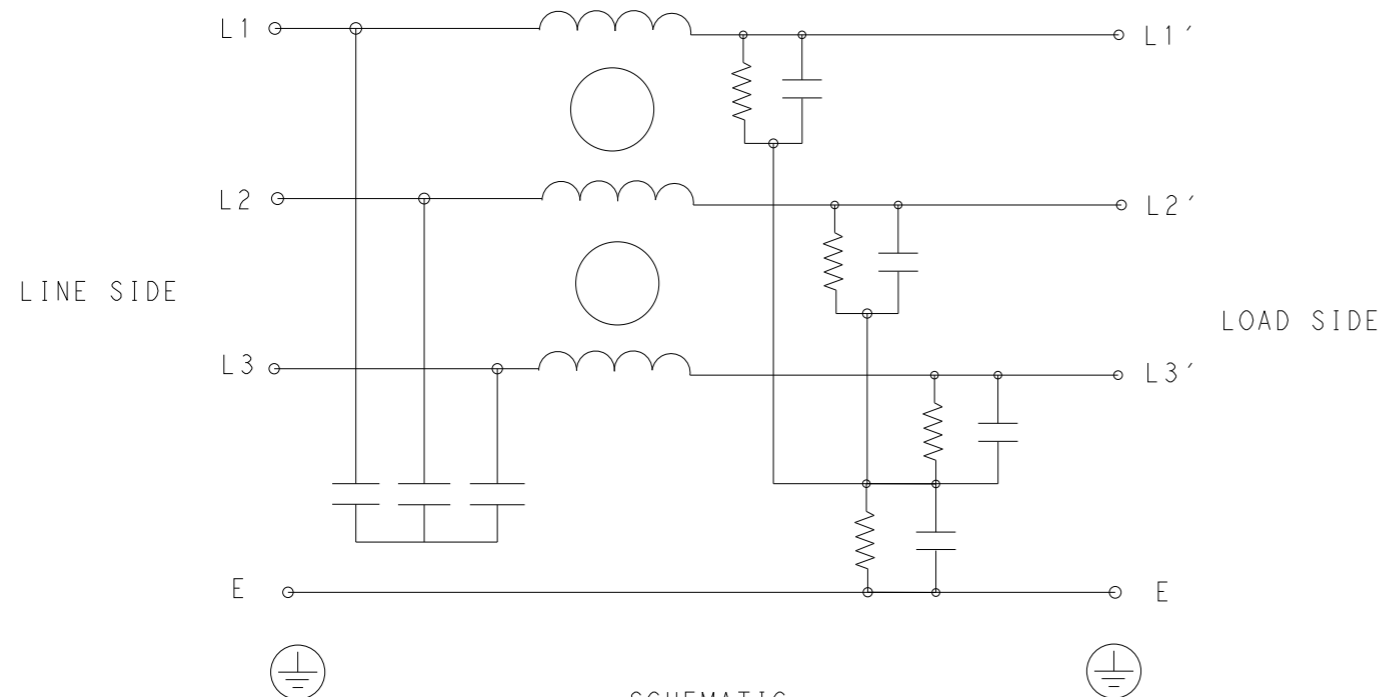


REVISIONS

| P | LTR | DESCRIPTION | DATE | DWN | APVD |
|---|-----|-----------------|-----------|-----|------|
| | B | INITIAL RELEASE | 07JUL2020 | SB | LI |
| | | | | | |
| | | | | | |



SCHEMATIC

SAFETY ORGANIZATIONS

THIS FILTER WILL BE FORMALLY RECOGNIZED, CERTIFIED OR APPROVED BY THE LISTED AGENCY. THEREFORE, ALL TEST/REQUIREMENTS SPECIFIED IN THE LATEST REVISION OF THE FOLLOWING AGENCY STANDARDS WILL BE MET:

UL APPROVED 16A 520V 50Hz/60Hz 40°C
 CSA APPROVED 16A 520V 50Hz/60Hz 40°C

OPERATING SPECIFICATION

LINE CURRENT/VOLTAGE: 16A, 520VAC
LINE FREQUENCY: 50/60Hz

MAXIMUM LEAKAGE CURRENT: 5mA @ 230VAC, 50Hz

OPERATING AMBIENT TEMPERATURE RANGE @ RATED CURRENT: -25°C TO +40°C

IN AN AMBIENT, T_a, HIGHER THAN 40°C, THE MAXIMUM OPERATING CURRENT, I_o, IS AS FOLLOWS:

$$I_o = I_r \sqrt{\frac{85 - T_a}{45}}$$

RELIABILITY SPECIFICATIONS

STORAGE TEMPERATURE: -40°C TO +85°C
HUMIDITY: 21 DAYS @ 40°C AND 95% RH

TEST SPECIFICATIONS

INDUCTANCE, NOMINAL: 4mH

CAPACITANCE @ 1kHz
LINE TO GROUND, NOMINAL: 0.3µF
LINE TO LINE, NOMINAL: 1µF

DISCHARGE RESISTOR

L/G I.R. 680KΩ 1W
 L/L I.R. 3MΩ 1W
 L/N I.R. XXX
 N/G I.R. XXX
 IR (NO DISCHARGE RESISTOR) 20°C, 50% RH AND 100VDC, MIN: 6MΩ

RECOMMENDED RECEIVING INSPECITON HIPOI

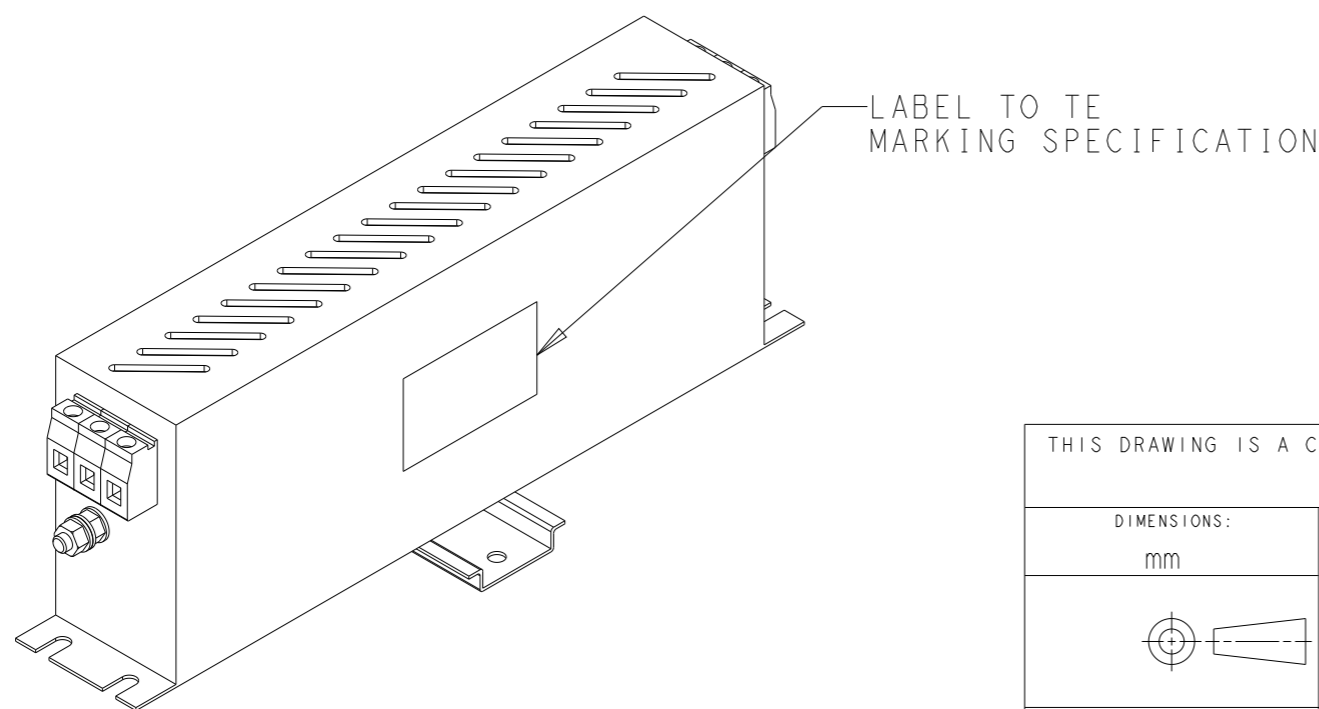
LINE TO GROUND FOR 1 MINUTE: 2856VDC
LINE TO LINE FOR 1 MINUTE: 2236VDC

FILTER APPROVAL

THE BEST WAY TO SELECT AND QUALIFY A FILTER IS FOR YOUR ENGINEERING TO TEST THE UNIT IN YOUR EQUIPMENT.

TYPICAL INSERTION LOSS
COMMON MODE 50/50Ω; DIFFERENTIAL MODE 50/50Ω

| MHz | 0.01 | 0.05 | 0.15 | 0.5 | 1 | 3 | 5 | 10 | 30 |
|-----|------|------|------|-----|----|----|----|----|----|
| CM | 42 | 34 | 46 | 80 | 73 | 48 | 40 | 29 | 13 |
| DM | 28 | 30 | 42 | 79 | 81 | 58 | 43 | 8 | 22 |



| | | | | |
|--|--|-------------------------------|---|--|
| THIS DRAWING IS A CONTROLLED DOCUMENT. | | DWN 06APR2021 BAPAT SAHAS | | |
| DIMENSIONS: mm | | CHK 06APR2021 CHRIS BOLLE | | |
| TOLERANCES UNLESS OTHERWISE SPECIFIED: | | APVD 06APR2021 CHRIS BOLLE | NAME POWER LINE FILTER FOR DIN 35 RAIL INSTALLATION 16KEMS10BBSDDM | |
| 0 PLC ±- | | PRODUCT SPEC | SIZE | |
| 1 PLC ±0.5 | | APPLICATION SPEC | CAGE CODE | |
| 2 PLC ±0.40 | | WEIGHT | DRAWING NO | |
| 3 PLC ±0.130 | | CUSTOMER DRAWING | RESTRICTED TO | |
| 4 PLC ±0.0500 | | SCALE 1:2 | SHEET 1 OF 2 | |
| ANGLES ±- | | REV A | | |
| FINISH | | | | |
| MATERIAL | | | | |

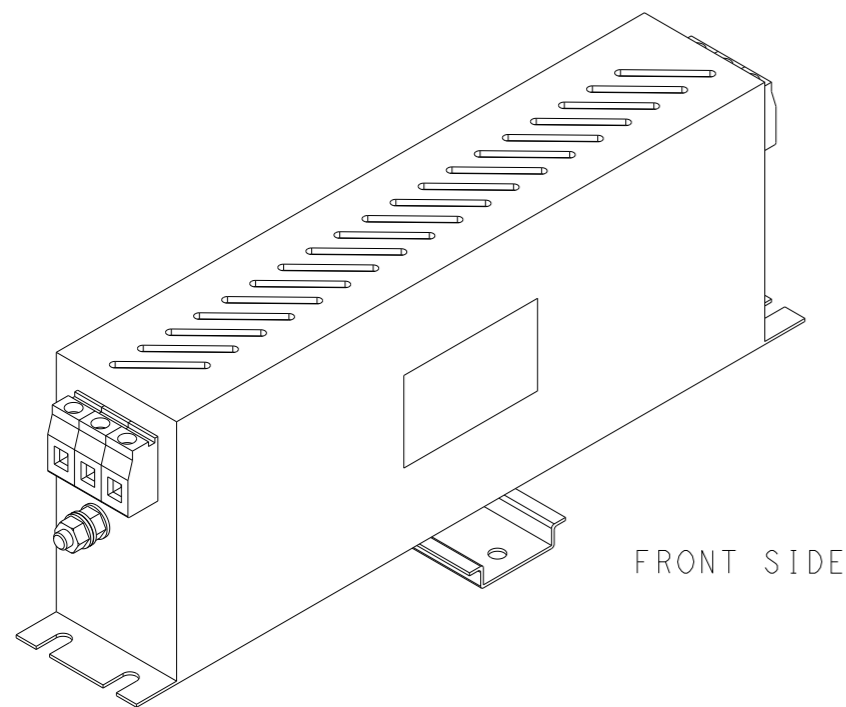
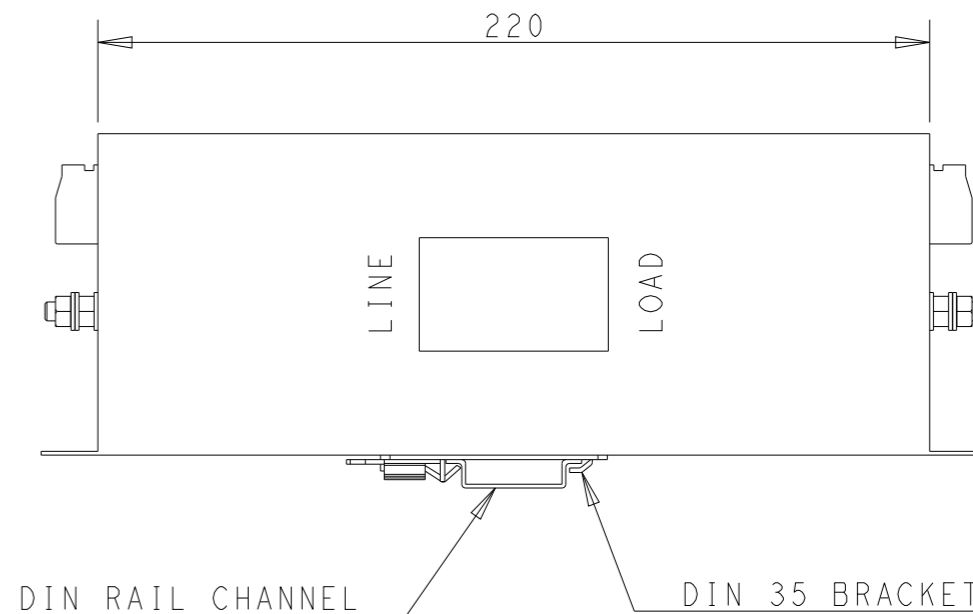
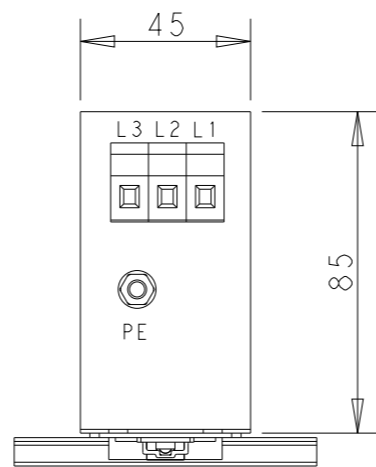
NOTE 1 GROUND CONNECTION:
 FOR ELECTRICAL SAFETY AND FILTER PERFORMANCE
 UNIT MUST HAVE A GOOD GROUND CONNECTION.
 TORQUE OUTER TERMINAL SCREWS: 0.5Nm / 4.5 in.lbs
 TORQUE GROUND NUTS: 2Nm

NOTE 2 INPUT OUTPUT CONNECTION TERMINAL
 AWG SIZE: 26-12 AWG
 WIRE SECTION: 4 mm²
 THREADED BOLT SIZE FOR GROUND: M5

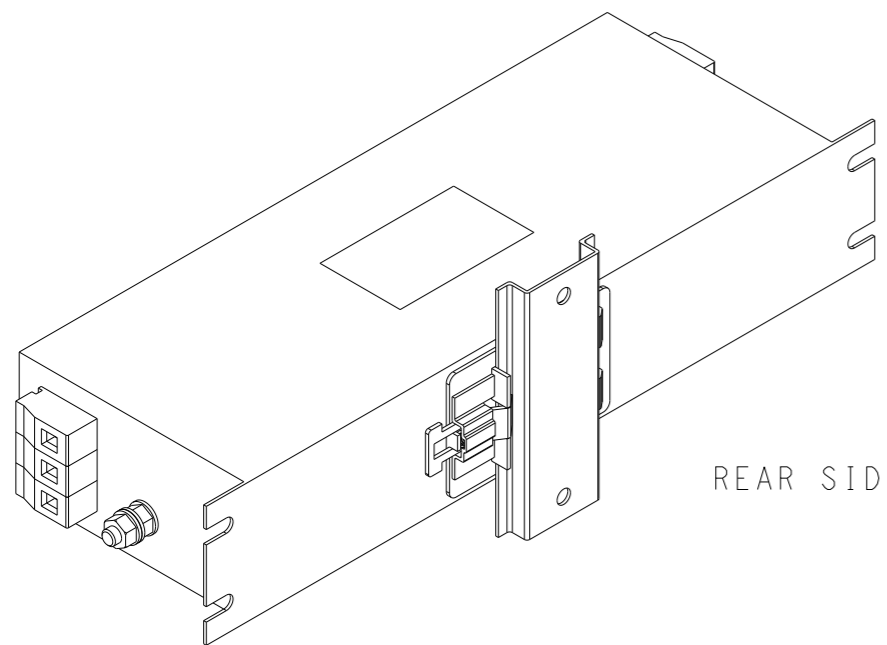
NOTE 3 SUPPLIED WITH DIN RAIL BRACKET

NOTE 4 DRAWINGS SHOWS DIN RAIL FOR
 REFERENCE ONLY

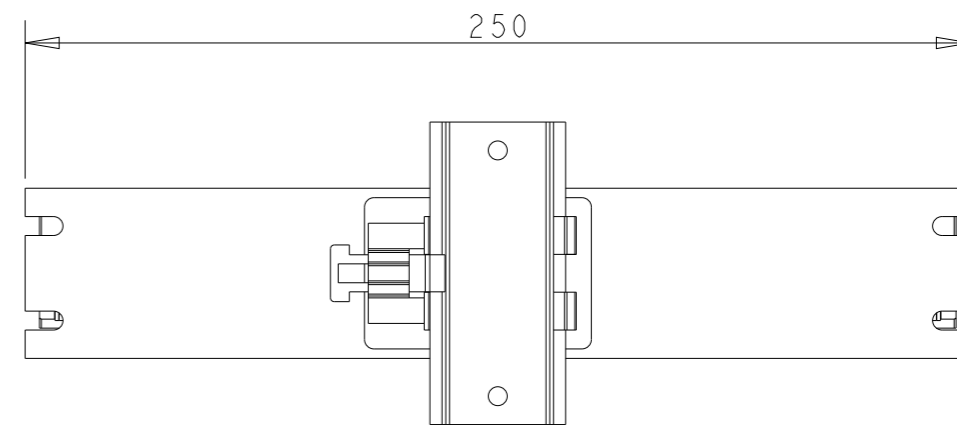
| REVISIONS | | | | | |
|-----------|-----|-------------|------|-----|------|
| P | LTR | DESCRIPTION | DATE | DWN | APVD |
| | | SEE SHEET 1 | | | |
| | | | | | |
| | | | | | |



FRONT SIDE



REAR SIDE



THIS DRAWING IS A CONTROLLED DOCUMENT.

| | |
|-------------------|--|
| DIMENSIONS: mm | TOLERANCES UNLESS OTHERWISE SPECIFIED: |
| | 0 PLC ±- |
| | 1 PLC ±0.5 |
| | 2 PLC ±0.40 |
| | 3 PLC ±0.130 |
| | 4 PLC ±0.0500 |
| | ANGLES ±- |
| MATERIAL | FINISH |
| - | - |
| - | - |

| | |
|------------------|-----------|
| DWN | 06APR2021 |
| BAPAT SAHAS | |
| CHK | 06APR2021 |
| CHRIS BOLLE | |
| APVD | 06APR2021 |
| CHRIS BOLLE | |
| PRODUCT SPEC | - |
| APPLICATION SPEC | - |
| WEIGHT | - |
| CUSTOMER DRAWING | |

| | | | | |
|-------|-----------|---|----|---------------|
| | | NAME | | RESTRICTED TO |
| | | POWER LINE FILTER FOR DIN 35 RAIL INSTALLATION 16KEMS10BBSDDM | | |
| SIZE | CAGE CODE | DRAWING NO | | |
| A3 | 00779 | C-7-1609968-3 | | |
| SCALE | | SHEET | OF | REV |
| 1:2 | | 2 | 2 | A |