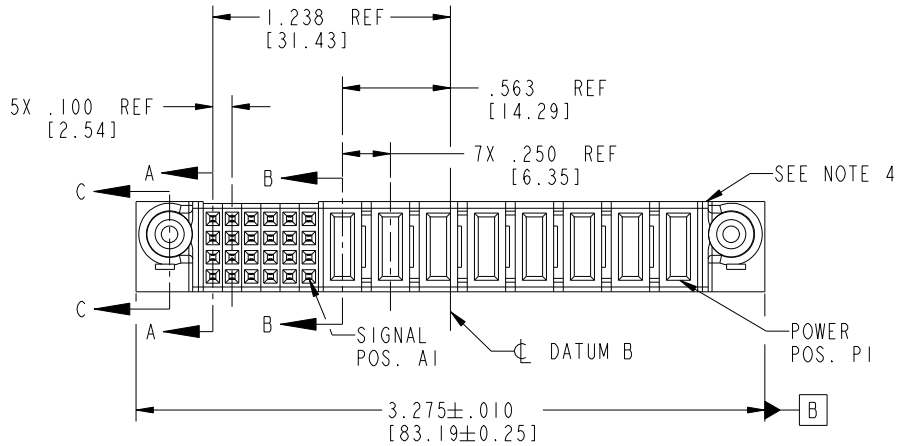


Tous droits strictement réservés. Reproduction ou communication a des tiers interdite sous quelque forme que ce soit sans autorisation écrite du propriétaire. Propriété de c FCI. Droits de reproduction FCI.

All rights strictly reserved. Reproduction or issue to third parties in any form whatever is not permitted without written authority from the proprietor. Property of FCI. Copyright FCI.



PRODUCT NO.	ROWS	SIGNAL								POWER																	
		E2	6	5	4	3	2	1	P8	P7	P6	P5	P4	P3	P2	P1	E1										
51752-006-- NOTE: 3	D C B A		F	F	F	F	F	F	F	F	F	F	F	F	F	F	PC	PC	PC	PC	PF	PF	PF	PF	PF	PF	



CODE	DIM "M" MATING LENGTH	CONTACT TYPE
F	N/A [N/A]	SIGNAL
PC	.042 [1.07]	POWER
PF	.092 [2.34]	POWER

mat'l code				SEE NOTE 2		tolerances unless otherwise specified		CUSTOMER		 www.fciconnect.com	
ltr	ecn no.	dr	date	linear	.XX±.01/0.X±0.3	COPY		projection		title	
A	V20522	JWS	03-14-02		.XXX±.005/0.XX±0.13	A				8P + 24S VERTICAL PRESS-FIT RECEPTACLE	
B	DG05-0522	GuoJM	12/07/05	angles	.XXX±.0020/0.XXX±0.051	INCH/MM		product family		PwrBlade	
C	DG08-0251	W D	09/13/08		0°±2°	scale		size		code	
				dr	J. SHAFFER 03-14-02	1:1		dwg no		213	
				engr	M. MOSTOLLER 03-14-02			A		51752-006	
				chr	M. MOSTOLLER 03-14-02			sheet		1 of 4	
				appd	M. MOSTOLLER 03-14-02			1 of 4			
sheet index	revision sheet	C	C	C	C						
		1	2	3	4						

Pro/E

PDM: Rev: C

STATUS: Released

Printed: Dec 20, 2010

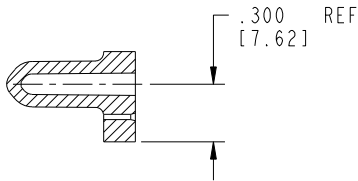
cage code 22526

Tous droits strictement réservés. Reproduction ou communication a des tiers interdite sous quelque forme que ce soit sans autorisation écrite du propriétaire. Propriété de c FCI. Droits de reproduction FCI.

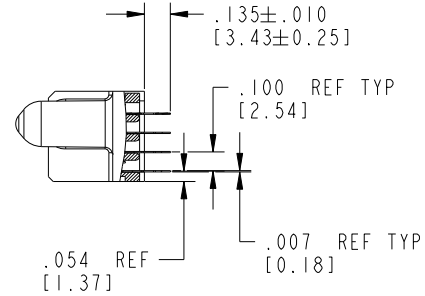


All rights strictly reserved. Reproduction or issue to third parties in any form whatever is not permitted without written authority from the proprietor. Property of FCI. Copyright FCI.

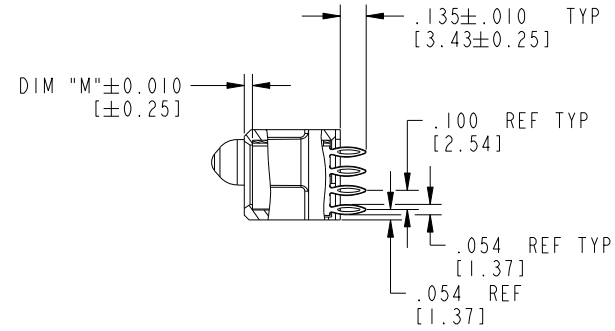
PRODUCT NUMBER
51752-006__
NOTE: 3



SECTION C-C



SECTION A-A



SECTION B-B

mat'l code		SEE NOTE 2		tolerances unless otherwise specified		CUSTOMER		 www.fciconnect.com	
ltr	ecn no.	dr	date	linear	.XX±.01/0.X±0.3	projection	title		
C					.XXY±.005/0.XX±0.13		8P + 24S		
				angles	.XXX±.0020/0.XXX±0.051		VERTICAL PRESS-FIT RECEPTACLE		
				dr	0°±2°	INCH/MM	product family		code
				engr	J. SHAFFER 03-14-02	scale	PwrBlade		213
				chr	M. MOSTOLLER 03-14-02	1:1	size	dwg no	sheet
				appd	M. MOSTOLLER 03-14-02		A	51752-006	2
sheet index	revision sheet								

Pro/E

PDM: Rev: C

STATUS: Released

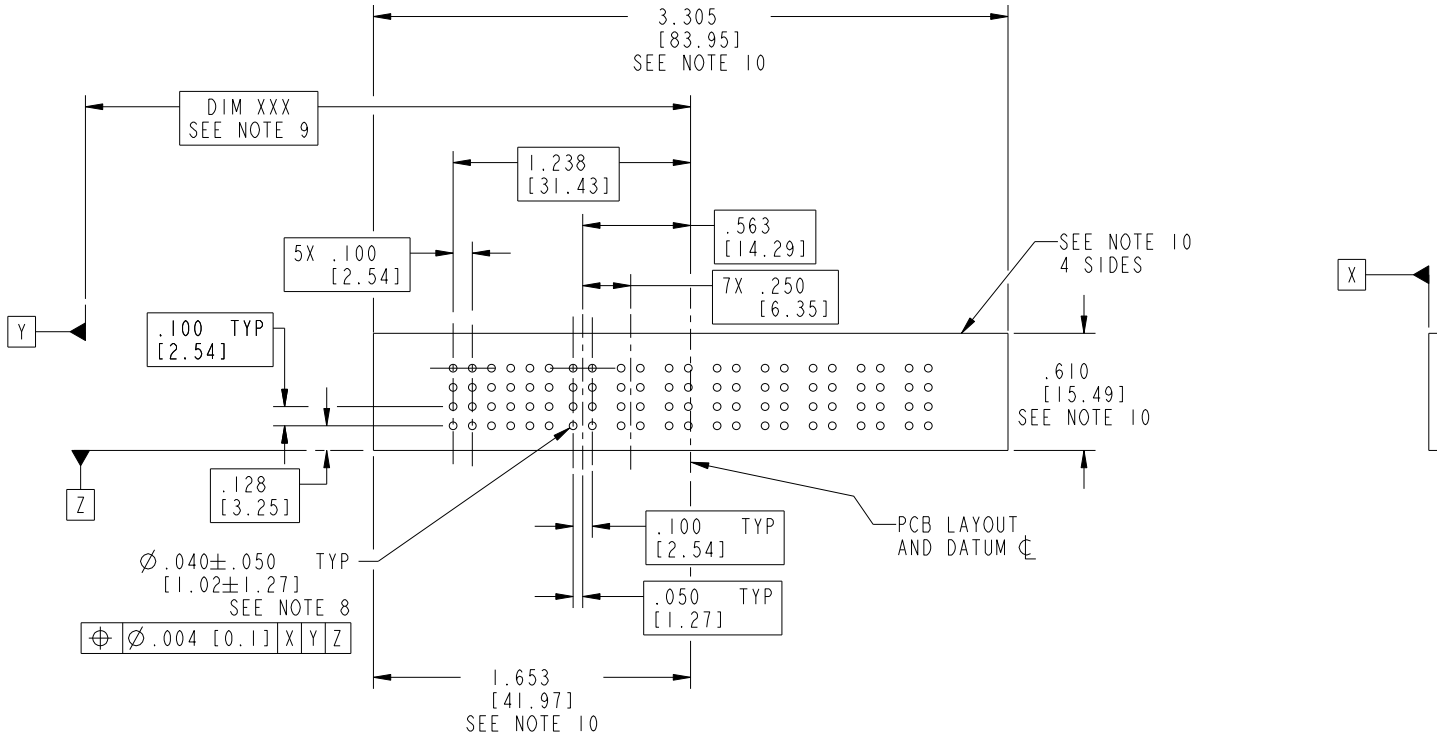
Printed: Dec 20, 2010

Tous droits strictement réservés. Reproduction ou communication a des tiers interdite sous quelque forme que ce soit sans autorisation écrite du propriétaire. Propriété de c FCI. Droits de reproduction FCI.

All rights strictly reserved. Reproduction or issue to third parties in any form whatever is not permitted without written authority from the proprietor. Property of FCI. Copyright FCI.



PRODUCT NUMBER
51752-006__
NOTE: 3



RECOMMENDED PCB LAYOUT

mat'l code				SEE NOTE 2		tolerances unless otherwise specified		CUSTOMER		FCI	
ltr	ecn no.	dr	date	linear	.XX±.01/0.X±0.3	projection	COPY		www.fciconnect.com		
C				angles	.XXX±.005/0.XX±0.13		title		8P + 24S		
				dr	.XXX±.0020/0.XXX±0.051		VERTICAL PRESS-FIT RECEPTACLE		product family PwrBlade code 213		
				enrg	J. SHAFFER 03-14-02		size		dwg no 51752-006 sheet 3		
				chr	M. MOSTOLLER 03-14-02		scale		A 1:1		
				appd	M. MOSTOLLER 03-14-02	sheet index					
				revision sheet							

Pro/E

PDM: Rev: C

STATUS: Released

Printed: Dec 20, 2010

PRODUCT NUMBER
 51752-006__
 NOTE: 3

NOTES:

1. DIMENSIONS AND TOLERANCES ARE IN ACCORDANCE WITH ASME Y14.5M, 1994 UNLESS OTHERWISE SPECIFIED.

CONNECTOR NOTES:

2. HOUSING MATERIAL: UL 94 V-0 GLASS FILLED HIGH-TEMP THERMOPLASTIC
 POWER CONTACT MATERIAL: COPPER ALLOY
 SIGNAL PIN MATERIAL: COPPER ALLOY

△3. SEE ITEM 7 & 8 IN PRINT 10064183 FOR PLATING SPEC OF 51752-006 AND 51752-006LF RESPECTIVELY.

4. MANUFACTURER'S NAME, P/N, AND DATE CODE TO APPEAR ON THIS SURFACE.

5. PRODUCT SPECIFICATION GS-12-149.
 APPLICATION SPECIFICATION BUS-20-067.

PCB - NOTES:

6. ALL HOLE DIAMETERS ARE FINISHED HOLE SIZE.

7. MOUNTING HOLES, WHERE APPLICABLE, ARE UNPLATED.

8. $\varnothing .0453 \pm 0.0010$ [1.151 \pm 0.025] DRILLED HOLES PLATED WITH
 0.0003 [0.008] MIN SnPb OVER .001 [0.03]
 TO .003 [0.08] Cu PLATING TO ACHIEVE
 $\varnothing .040 \pm .003$ [1.02 \pm .07] HOLE.

9. "DIM XXX" TO BE DETERMINED BY THE CUSTOMER.

10. CONNECTOR KEEP-OUT ZONE.

11. A △SYMBOL WILL BE NEXT TO ANY DIMENSION, VIEW, OR NOTE WHICH HAS BEEN MODIFIED WITH THE CURRENT DRAWING REVISION.

mat'l code				SEE NOTE 2		tolerances unless otherwise specified		CUSTOMER		FCJ	
ltr	ecn no.	dr	date	linear	.XX±.01/0.X±0.3	projection		COPY		www.fciconnect.com	
C					.XX±.005/0.XX±0.13	INCH/MM		title		8P + 24S	
				angles	.XXX±.0020/0.XXX±0.051	scale		product family		code	
				dr	0° + 2°	1:1		PwrBlade		213	
				engr	J. SHAFFER 03-14-02			size		sheet	
				chr	M. MOSTOLLER 03-14-02			A		4	
				appd	M. MOSTOLLER 03-14-02			51752-006			
sheet index		revision sheet									

Tous droits strictement réservés. Reproduction ou communication a des tiers interdite sous quelque forme que ce soit sans autorisation écrite du propriétaire. Propriété de c FCI. Droits de reproduction FCI.



All rights strictly reserved. Reproduction or issue to third parties in any form whatever is not permitted without written authority from the proprietor. Property of FCI. Copyright FCI.