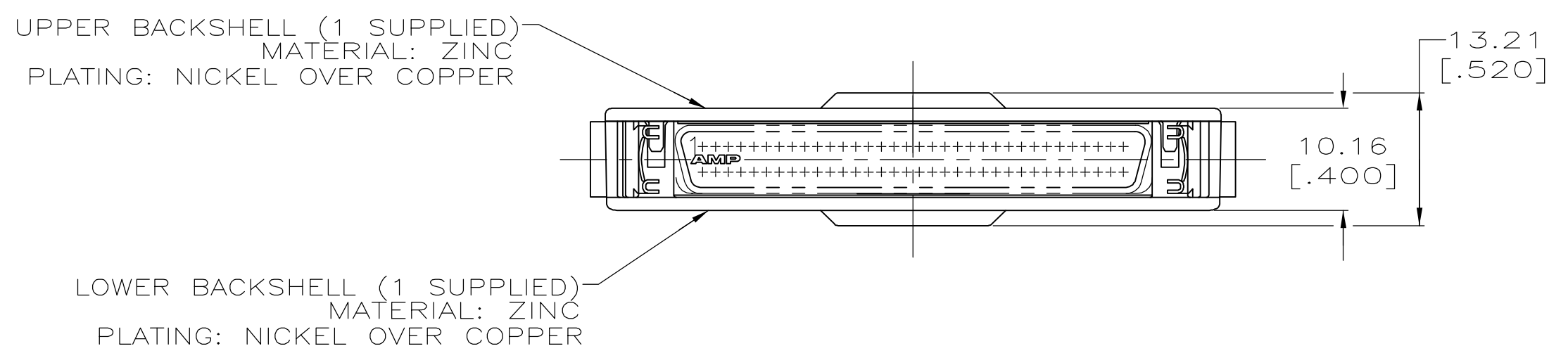
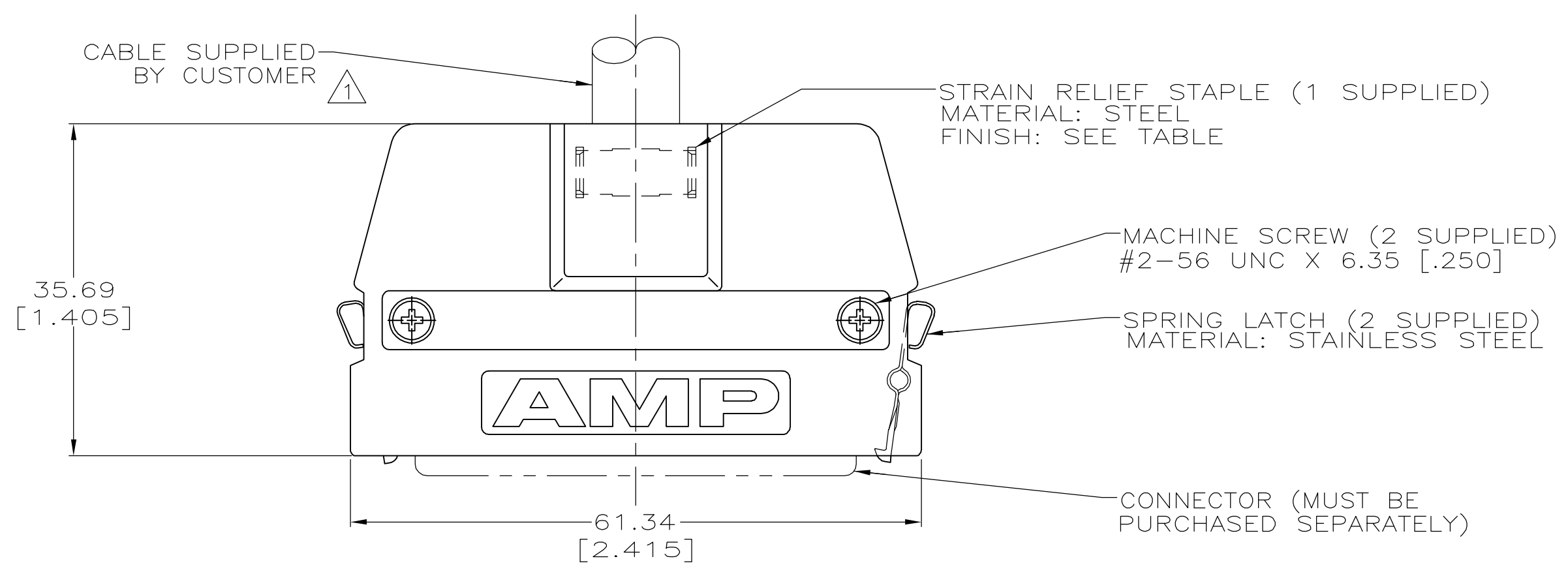


THIS DRAWING IS UNPUBLISHED. RELEASED FOR PUBLICATION
 © COPYRIGHT BY TYCO ELECTRONICS CORPORATION. ALL RIGHTS RESERVED.

LOC	DIST	REVISIONS					
GP	00	P	LTR	DESCRIPTION	DATE	DWN	APVD
		E1		REVISED PER ECO-05-009286	28FEB06	BM	SS

- ① 10.16 [.400] MAX CABLE DIA
- ② 11.18 [.440] MAX CABLE DIA
- ③ BRIGHT TIN-LEAD OVER NICKEL.
- ④ BRIGHT TIN OVER NICKEL.



SUPERSEDED BY 5749195-2	②	④	749195-3
	②	③	749195-2
OBSOLETE	AS SHOWN ①	③	749195-1
	REMARKS	STAPLE FINISH	PART NO

THIS DRAWING IS A CONTROLLED DOCUMENT.		DWN M.A.McCAFFREY 12-20-88	Tyco Electronics Corporation Harrisburg, PA 17105-3608	
DIMENSIONS: mm[INCHES]		CHK M.E.SHIRK 12-20-88	APVD -	
TOLERANCES UNLESS OTHERWISE SPECIFIED:		NAME		
0 PLC ± -		PRODUCT SPEC		
1 PLC ± -		APPLICATION SPEC		
2 PLC ± 0.38 [.015]		SIZE		
3 PLC ± -		CAGE CODE		
4 PLC ± -		DRAWING NO		
ANGLES ± -		RESTRICTED TO		
FINISH		WEIGHT		
-		-		
		CUSTOMER DRAWING		
		SCALE 2:1		SHEET 1 of 1
		REV E1		