

344160-1 ✓ ACTIVE

[Positive Lock](#) | [Positive Lock 250](#)

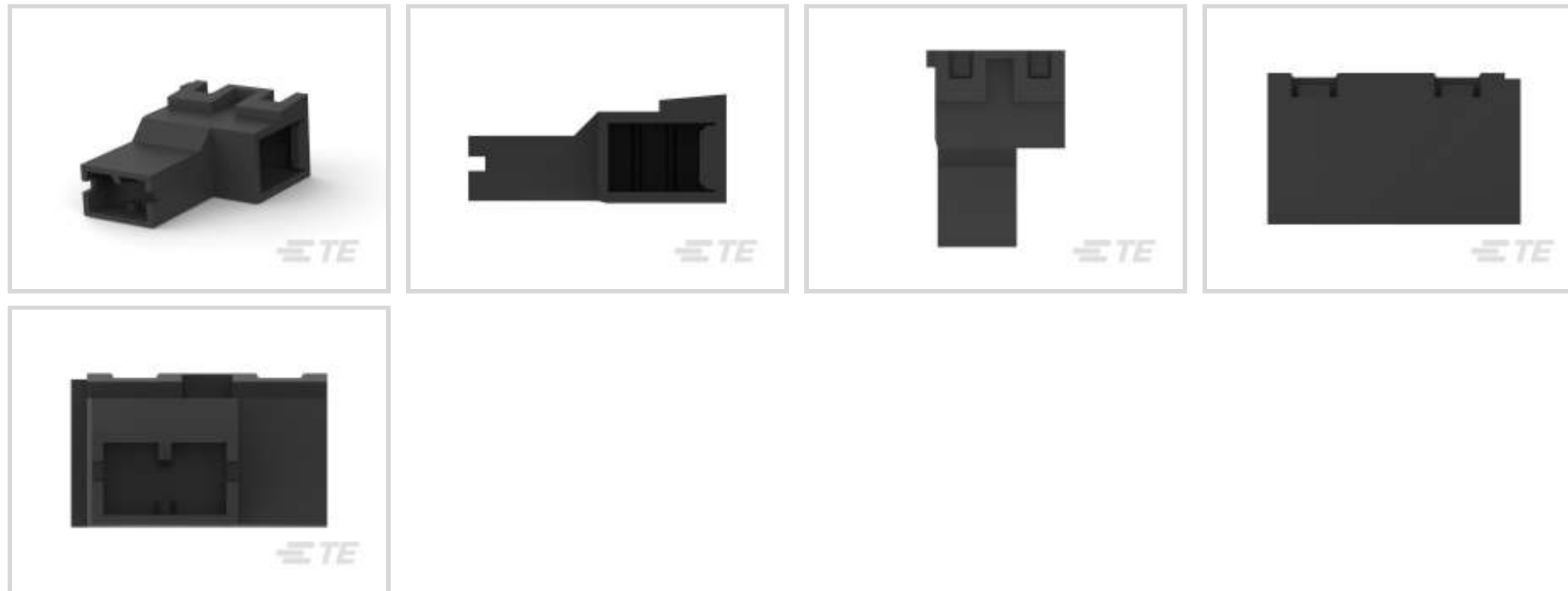
TE Internal #: 344160-1

Crimp Terminal Housings, Receptacle, Receptacle, 1 Position, Flag, Black, Nylon, Cable Mount (Free-Hanging), Positive Lock 250

[View on TE.com >](#)



Terminals & Splices > Terminal Housings, Insulation Sleeves & Blocks > Crimp Terminal Housings



Terminal Type: **Receptacle**

Connector & Housing Type: **Receptacle**

Number of Positions: **1**

Terminal Orientation: **Flag**

Primary Product Color: **Black**

Features

Product Type Features

Sealable	No
Connector & Contact Terminates To	Wire & Cable
Connector & Housing Type	Receptacle

Configuration Features

Number of Positions	1
---------------------	---

Body Features

Primary Product Color	Black
-----------------------	-------

Contact Features

Terminal Type	Receptacle
Terminal Orientation	Flag
Contact Mating Retention	Without

Mechanical Attachment

Mating Alignment Type	None
Mating Alignment	Without



Connector Mounting Type	Cable Mount (Free-Hanging)
-------------------------	----------------------------

Housing Features

Housing Material	Nylon
Centerline (Pitch)	9.17 mm [.361 in]

Dimensions

Product Width	9.2 mm
Product Length	22 mm [.866 in]

Usage Conditions

Operating Temperature Range	-40 – 105 °C [-40 – 221 °F]
-----------------------------	-----------------------------

Packaging Features

Packaging Quantity	1500
--------------------	------

Product Compliance

[For compliance documentation, visit the product page on TE.com>](#)

EU RoHS Directive 2011/65/EU	Compliant
EU ELV Directive 2000/53/EC	Compliant
China RoHS 2 Directive MIIT Order No 32, 2016	No Restricted Materials Above Threshold
EU REACH Regulation (EC) No. 1907/2006	Current ECHA Candidate List: JUNE 2023 (235) Candidate List Declared Against: JAN 2023 (233) Does not contain REACH SVHC
Halogen Content	Low Halogen - Br, Cl, F, I < 900 ppm per homogenous material. Also BFR/CFR/PVC Free
Solder Process Capability	Not applicable for solder process capability

Product Compliance Disclaimer

This information is provided based on reasonable inquiry of our suppliers and represents our current actual knowledge based on the information they provided. This information is subject to change. The part numbers that TE has identified as EU RoHS compliant have a maximum concentration of 0.1% by weight in homogenous materials for lead, hexavalent chromium, mercury, PBB, PBDE, DBP, BBP, DEHP, DIBP, and 0.01% for cadmium, or qualify for an exemption to these limits as defined in the Annexes of Directive 2011/65/EU (RoHS2). Finished electrical and electronic equipment products will be CE marked as required by Directive 2011/65/EU. Components may not be CE marked. Additionally, the part numbers that TE has identified as EU ELV compliant have a maximum concentration of 0.1% by weight in homogenous materials for lead, hexavalent chromium, and mercury, and 0.01% for cadmium, or qualify for an exemption to these limits as defined in the Annexes of Directive 2000/53/EC (ELV). Regarding the REACH Regulation, the information TE provides on SVHC in articles for this part number is based on the latest European Chemicals Agency (ECHA) 'Guidance on requirements for substances in articles' posted at this URL: <https://echa.europa.eu/guidance-documents/guidance-on-reach>



Compatible Parts



TE Part # 1-154719-0
PL 250 REC HSG 1P NYLON NAT



TE Part # 154719-4
PL 250 REC HSG 1P NYLON YELLOW



TE Part # 171809-2
POSITIVE LOCK (PL) HOUSING



TE Part # 154719
250 HSG. PL MKI REC. BLACK



TE Part # 154719-1
250 HSG. PL MKI REC. NAT



TE Part # 154719-9
PL 250 REC HSG 1P NYLON BROWN



TE Part # 154719-5
PL 250 REC HSG 1P NYLON GREEN



TE Part # 185010-2
HEADLIGHT HOUSING HOUSING




TE Part # 154719-6
PL 250 REC HSG 1P NYLON BLUE

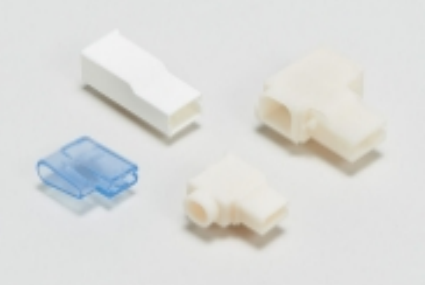


TE Part # 1-154719-1
PL 250 REC HSG 1P NYLON NAT


Also in the Series | Positive Lock 250



Automotive Terminals(1)




Crimp Terminal Housings(193)



Insertion & Extraction Tools(3)



Insulation Boots & Sleeves(4)

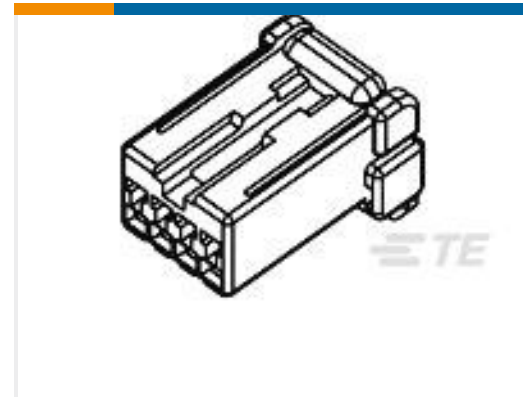


Quick Disconnects(186)

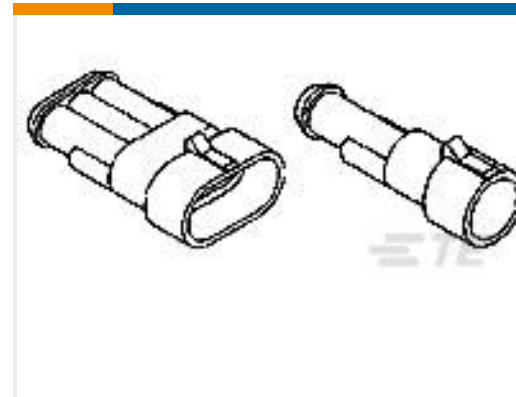
Customers Also Bought



TE Part #963343-1
Timer Connector Housing



TE Part #174966-2
040 MLC PLUG HSG 4P BLACK



TE Part #282104-3
AMP SUPERSEAL 1.5 SERIES 2P CA



TE Part #282349-1
PL 250 FLAG REC 0.5-1.5MM2 0.4 X 44
NISI



TE Part #928909-3
PL 250 RECEPTACLE 0.2-0.5 MM2 NP
CUSN4

Documents

Product Drawings

[R/ANGLE POS.LOK.BOOT](#)

English

CAD Files

[3D PDF](#)

3D

Customer View Model

[ENG_CVM_CVM_344160-1_B.2d_dxf.zip](#)

English

Customer View Model

[ENG_CVM_CVM_344160-1_B.3d_igs.zip](#)

English

Customer View Model

[ENG_CVM_CVM_344160-1_B.3d_stp.zip](#)

English

By downloading the CAD file I accept and agree to the [Terms and Conditions](#) of use.