

THIS DRAWING IS UNPUBLISHED.

RELEASED FOR PUBLICATION

20

© COPYRIGHT 20

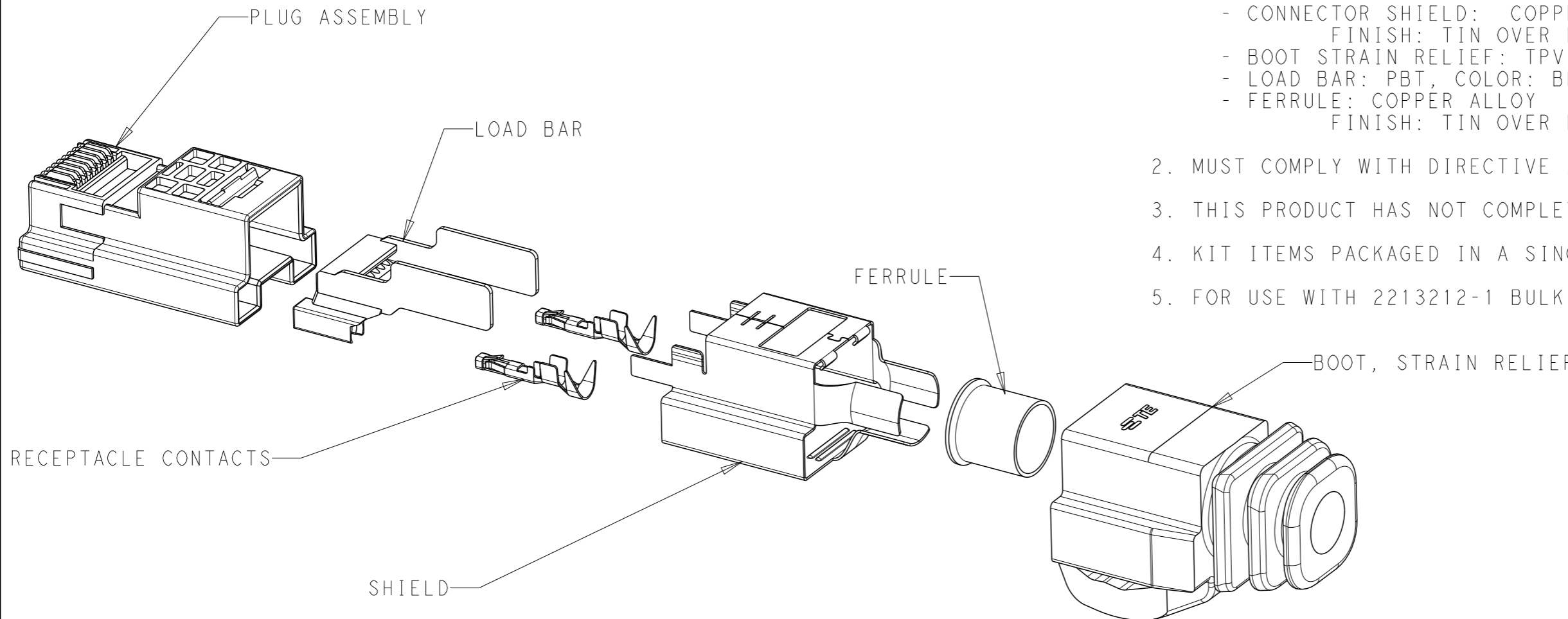
BY -

ALL RIGHTS RESERVED.

LOC	DIST	REVISIONS					
		P	LTR	DESCRIPTION	DATE	DWN	APVD
-	-		1	PROPOSED	15NOV2012	CD	MM
			2	GENERAL UPDATE	19MAR2013	MM	MM
			3	GENERAL UPDATE	20MAR2014	MM	MM
			B1	DRAWING REVISION UPDATE	21JUN2022	SS	JDB

NOTES:

- 1. MATERIALS AND FINISH:
  - HOUSING: PC, COLOR: LIGHT BLUE
  - CONTACTS: COPPER ALLOY  
FINISH: GOLD OVER NICKEL (SIGNAL CONTACTS)  
GOLD OVER NICKEL (POWER CONTACTS)
  - CONNECTOR SHIELD: COPPER-ZINC ALLOY  
FINISH: TIN OVER NICKEL
  - BOOT STRAIN RELIEF: TPV, COLOR: BLACK
  - LOAD BAR: PBT, COLOR: BLACK
  - FERRULE: COPPER ALLOY  
FINISH: TIN OVER NICKEL
- 2. MUST COMPLY WITH DIRECTIVE 2002/95/EC (ROHS)
- 3. THIS PRODUCT HAS NOT COMPLETED VALIDATION TESTING
- 4. KIT ITEMS PACKAGED IN A SINGLE BAG AND LABELED.
- 5. FOR USE WITH 2213212-1 BULK PACKAGED CABLE.



PART NUMBER	DESCRIPTION	MAXIMUM CABLE DIAMETER	MAXIMUM SIGNAL CONDUCTOR DIA
2178148-1	KIT, CLOUDSPLITTER PLUG, NON-SHIELDED CABLE SOLID WIRE SIGNAL COND.	Ø6.50	Ø1.02

THIS DRAWING IS A CONTROLLED DOCUMENT.		DWN C. DAILY 15NOV2012	<b>STE</b> TE Connectivity	
DIMENSIONS: mm		CHK MOSTOLLER 15NOV2012		
TOLERANCES UNLESS OTHERWISE SPECIFIED:		APVD -	NAME KIT, CLOUDSPLITTER CABLE PLUG	
0 PLC ±-		PRODUCT SPEC 108-64022	SIZE A3	
1 PLC ±0.2		APPLICATION SPEC 114-32099	CAGE CODE 00779	DRAWING NO 2178148
2 PLC ±0.13		WEIGHT -	RESTRICTED TO -	
3 PLC ±-		Customer Drawing		
4 PLC ±-		SCALE 2:1		
ANGLES ±2°		SHEET 1 OF 1		
FINISH -		REV B1		