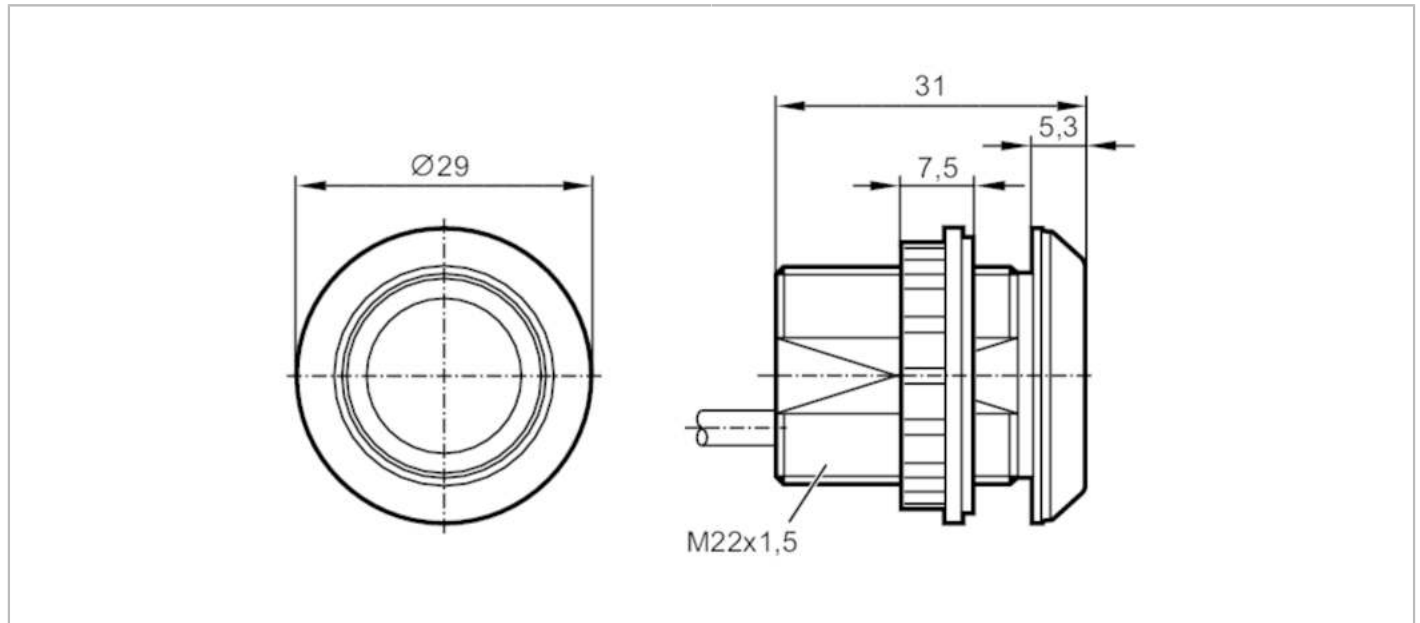


# KT5106



## Capacitive illuminated pushbutton

KTMSF-K-RBPKG/US/0,3M



Product characteristics		
Electrical design		PNP
Output function		normally open
Dimensions	[mm]	Ø 29 / L = 31
Application		
Operating principle		static
Electrical data		
Operating voltage	[V]	12...30 DC
Current consumption	[mA]	30
Protection class		III
Reverse polarity protection		yes
Max. power-on delay time	[ms]	500
Outputs		
Electrical design		PNP
Output function		normally open
Permanent current rating of switching output DC	[mA]	200
Short-circuit protection		yes
Overload protection		yes
Response times		
Response time	[ms]	35
Operating conditions		
Ambient temperature	[°C]	-40...85
Protection		IP 65; IP 67; IP 69K; (on the front)
Tests / approvals		
MTTF	[years]	352

# KT5106



## Capacitive illuminated pushbutton

KTMSF-K-RBPKG/US/0,3M

Mechanical data		
Weight	[g]	55.5
Dimensions	[mm]	Ø 29 / L = 31
Materials		PA 6.6-GF30 black; active face: PA Grilamid TR 90UV
Displays / operating elements		
Display	switching status	1 x LED, red
	operation	1 x LED, green
Accessories		
Items supplied		lock nuts: 1
		Gasket: 1
Accessories (optional)		symbol disc
Remarks		
Pack quantity		1 pcs.

Electrical connection - plug	
Cable: 0.3 m, PUR	

Connector: 1 x M12; coding: A



### Connection

