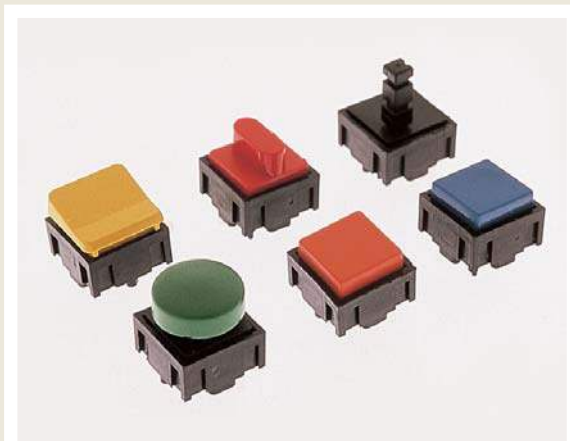




SERIES 320 SWITCHES

TACT SWITCHES



FEATURES & BENEFITS

- ▶ Multiple cap & color options
- ▶ High reliability dome technology
- ▶ Excellent tactile feedback

APPLICATIONS/MARKETS

- ▶ Telecommunications
- ▶ Networking
- ▶ Computers/servers
- ▶ Performance audio
- ▶ Instrumentation
- ▶ Low power on/off designs
- ▶ External hard drives and modems

SPECIFICATIONS

Contact Rating:	25mA @ 50 VDC
Life Expectancy:	1,000,000 cycles min.
Contact Resistance:	50mΩ, max. initial @ 2-4 VDC, 100mA
Insulation Resistance:	1,000MΩ min.
Dielectric Strength:	>500 VAC rms at sea level
Actuation Force:	135 ± 50 gf
Operating Temperature:	-20°C to 70°C
Travel:	.6 mm Typ.

MATERIALS

Housing:	Nylon 4/6
Cover/Cap:	ABS or Polycarbonate
Dome Contact:	Gold over stainless steel
Terminals/Contacts:	Silver plated copper alloy



HOW TO ORDER

CAP STYLE	CIRCUIT	CAP COLOR	ADDITIONAL CAP (Fits over cap styles 320.02 & 320.03 only.)	CAP COLOR
<input type="checkbox"/> <input type="checkbox"/> <input type="checkbox"/> <input type="checkbox"/> <input type="checkbox"/> <input type="checkbox"/>	<input type="checkbox"/> <input type="checkbox"/> <input type="checkbox"/>	<input type="checkbox"/> <input type="checkbox"/> <input type="checkbox"/>	<input type="checkbox"/> <input type="checkbox"/> <input type="checkbox"/> <input type="checkbox"/> <input type="checkbox"/> <input type="checkbox"/> <input type="checkbox"/> <input type="checkbox"/>	<input type="checkbox"/> <input type="checkbox"/> <input type="checkbox"/>
320 320.01 320.02 320.03 320.04 320.22 320.08* 320.09* 320.094* 320.2 320.21	E11 (SPST)	BLK = Black GRY = Grey YEL = Yellow BLU = Blue GRN = Green WHT = White RED = Red	See Cap Section	



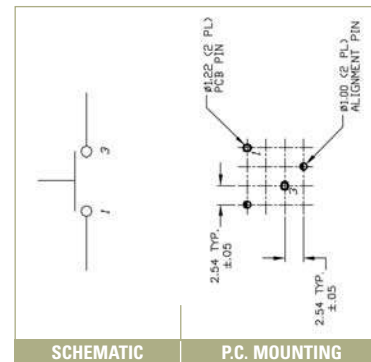
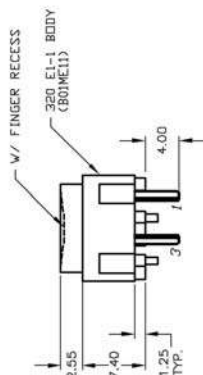
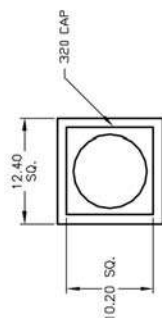
Example Ordering Number

320.08-E1-1-YEL

*Note: Assembled using the 320.02 plungered cap.

Specifications subject to change without notice.

320

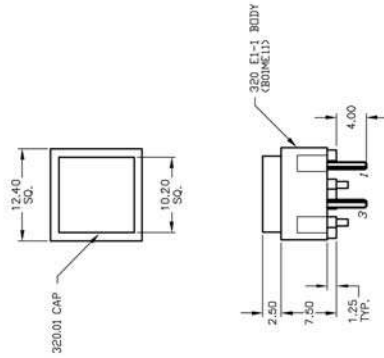


SERIES 320 SWITCHES

TACT SWITCHES

TACT SWITCHES

320.01



SCHEMATIC

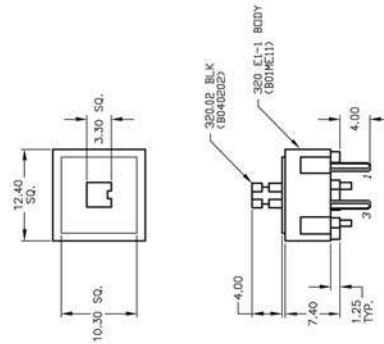
P.C. MOUNTING

NAVIGATION SWITCHES

PUSHBUTTON SWITCHES

TOGGLE SWITCHES

320.02



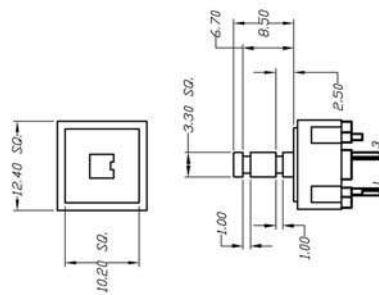
SCHEMATIC

P.C. MOUNTING

ROCKER SWITCHES

SLIDE SWITCHES

320.03



SCHEMATIC

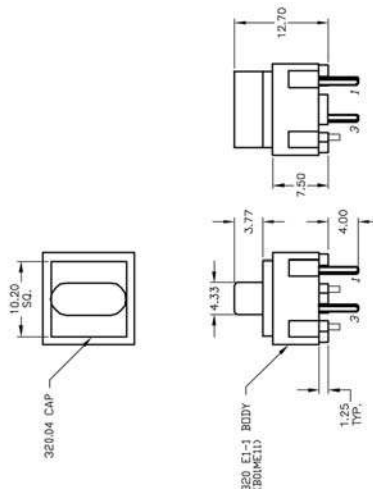
P.C. MOUNTING

SNAP-ACTION SWITCHES

DIP SWITCHES

KEYLOCK SWITCHES

320.04



SCHEMATIC

P.C. MOUNTING

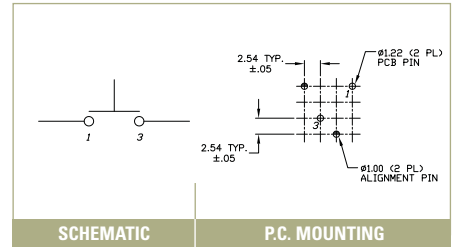
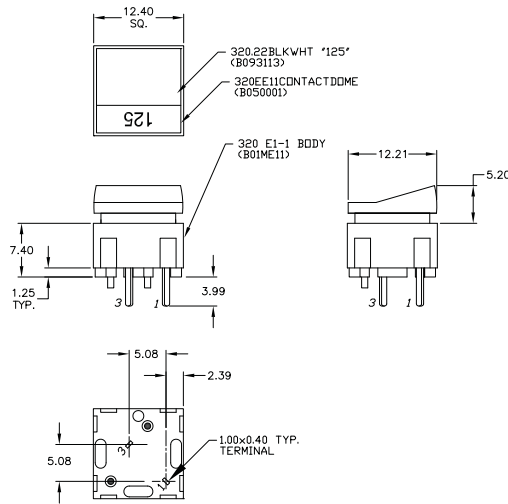
ROTARY SWITCHES

DETECTOR SWITCHES

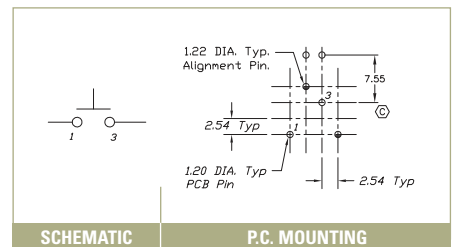
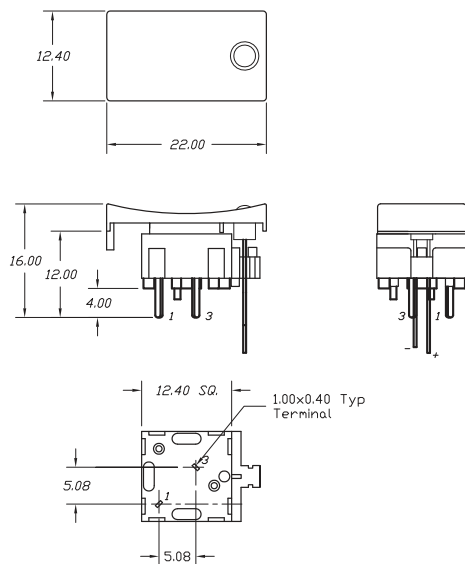
CAP OPTIONS



320.22



320.2



320.21

