

CTCA2012F500B

SPECIFICATIONS

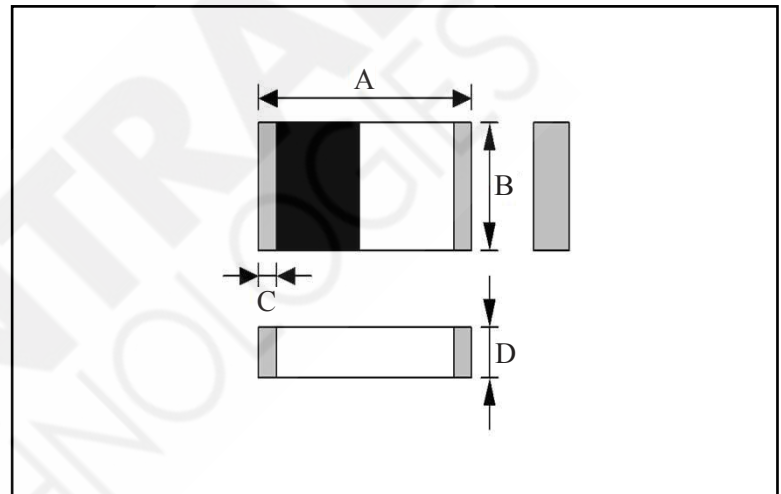
*Depends on PCB layout.

Part Number	Impedance (Ω)	Test Freq. (GHz)	*Bandwidth (MHz)	*Peak Gain (dBi)	VSWR (Max.)	Polarization (Linear)
CTCA2012F500B	50	2.4	100	0-2	2	Linear



PHYSICAL DIMENSIONS

Size	A	B	C	D
mm	2.0±0.2	1.2±0.2	0.5±0.2	0.5±0.2
inches	0.08±0.008	0.05±0.008	0.02±0.008	0.02±0.008



CHARACTERISTICS

Description: Low temperature co-fired ceramics (LTCC) multilayer chip antenna

Applications: WLAN, home RF, bluetooth modules, etc.

Operating Temperature: -25°C to + 125°C

Storage Temperature: 20°C to 25°C; R.H. 65% (for reference)

Marking:

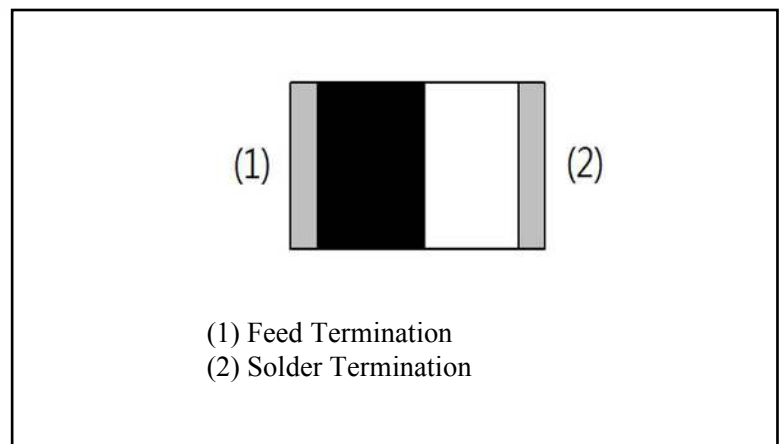


Miscellaneous: RoHS Compliant

Additional Information: Additional electrical & physical information available upon request

Samples available. See website for ordering information.

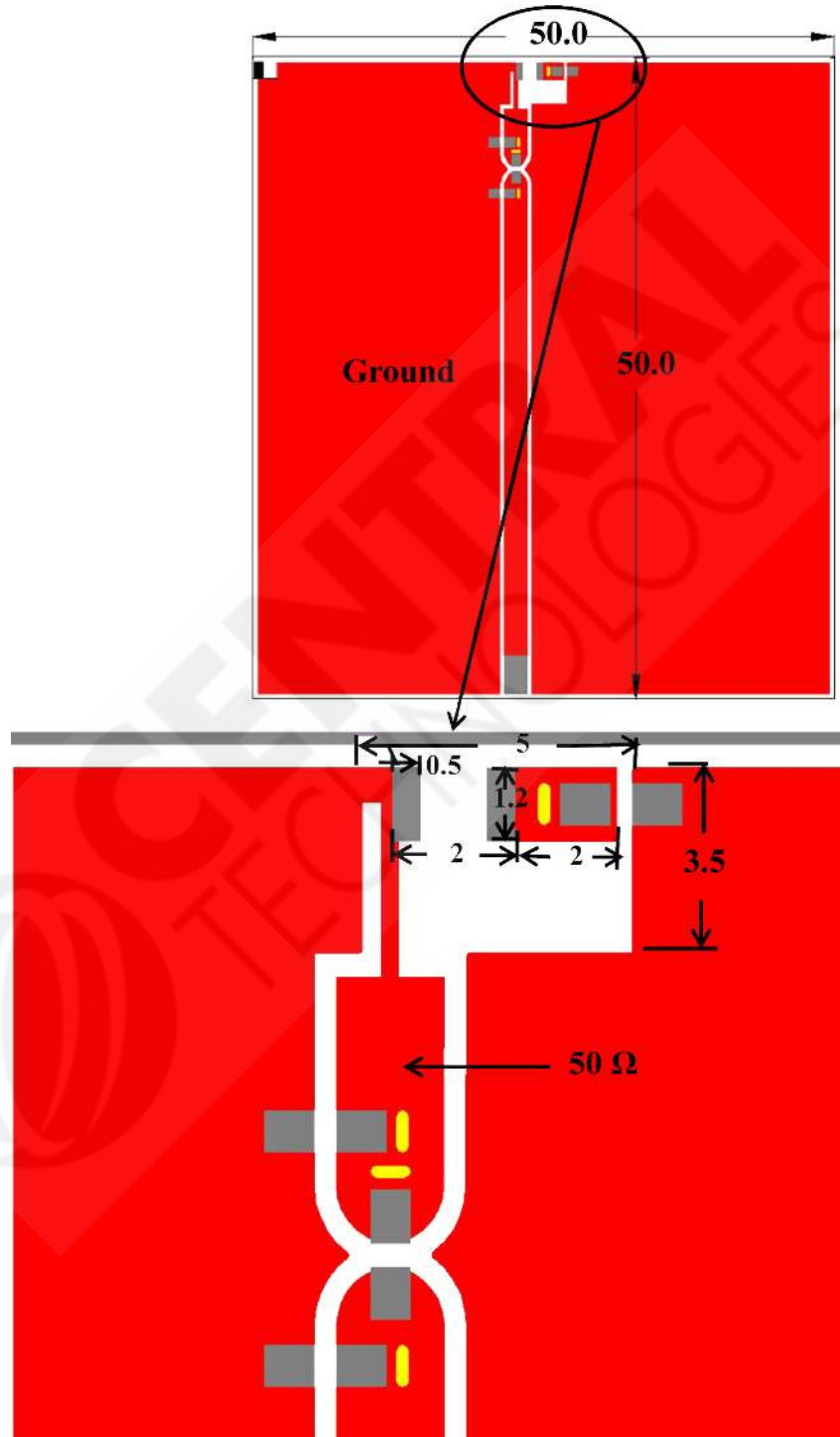
TERMINAL CONFIGURATION



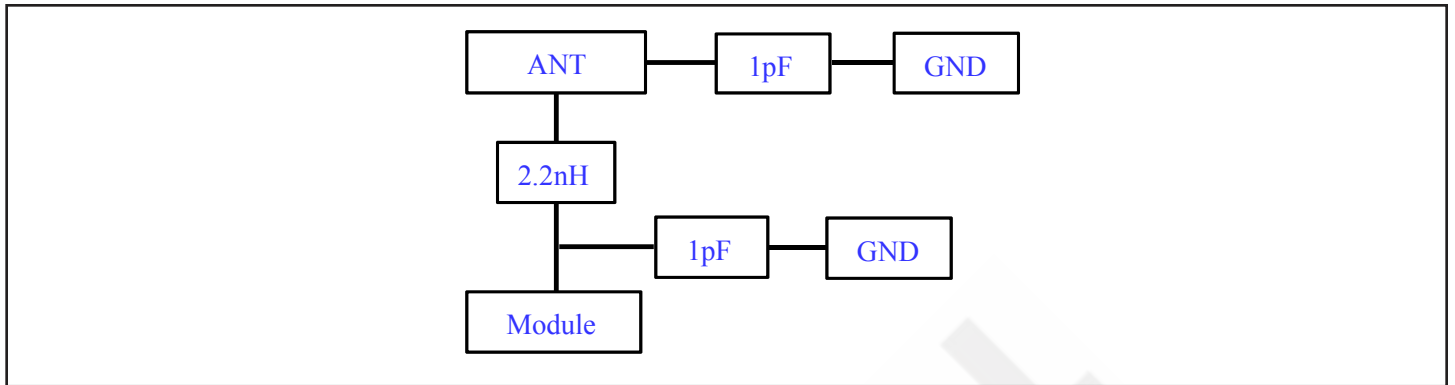
Multilayer Chip Antenna

PC BOARD LAYOUT

Dimensions: mm



MATCHING CIRCUIT



RETURN LOSS

