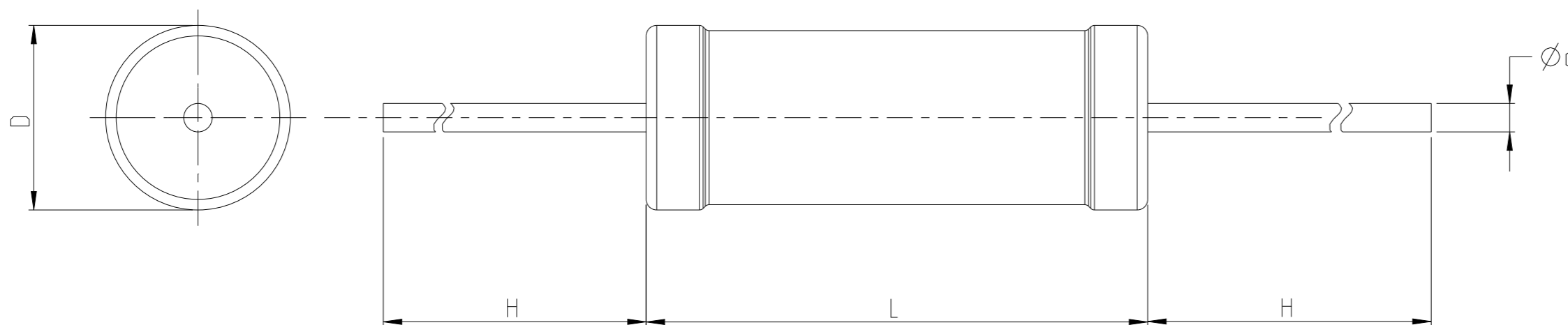


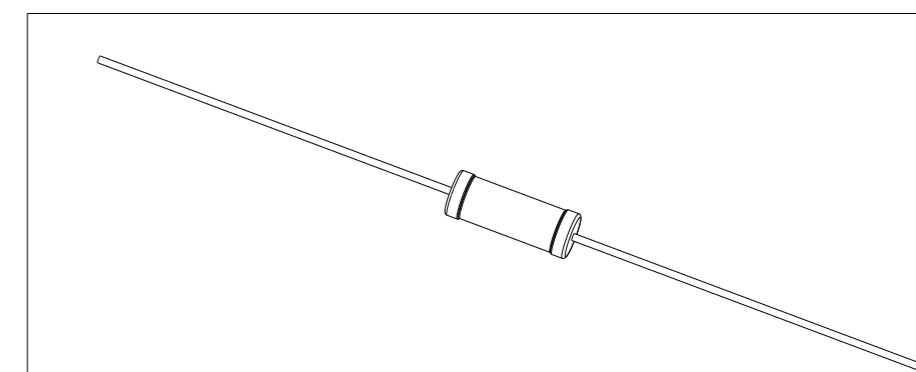
REVISIONS

P	LTR	DESCRIPTION	DATE	DWN	APVD
	BA	NEW DRAWING	21MAR2023	DM	AP

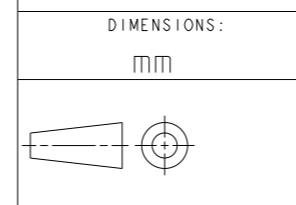
FOR FURTHER INFORMATION SEE DATA SHEET FOR WIREWOUND ANTI-SURGE RESISTOR TYPE EP SERIES



TYPE	POWER RATING	$D \pm 1$ (mm)	$L \pm 1$ (mm)	$d \pm 0.05$ (mm)	$H \pm 3$ (mm)
EP1W SS	1W -SS	3.0	9.0	0.54	28



THIS DRAWING IS A CONTROLLED DOCUMENT.



DIMENSIONS:	TOLERANCES UNLESS OTHERWISE SPECIFIED:
mm	
0 PLC	\pm
1 PLC	\pm
2 PLC	\pm
3 PLC	\pm
4 PLC	\pm
ANGLES	$\pm 1^\circ$
FINISH	-

MATERIAL -

DWN 21MAR2023 DHEERAJ M

CHK 21MAR2023 ALLAN P

APVD 21MAR2023 ALLAN P

PRODUCT SPEC -

APPLICATION SPEC -

WEIGHT -

CUSTOMER DRAWING

21MAR2023

21MAR2023

21MAR2023

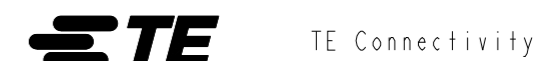
-

-

-

-

NAME WIREWOUND ANTI-SURGE RESISTOR TYPE EP 1W SS SERIES



SIZE	CAGE CODE	DRAWING NO	RESTRICTED TO
A3	00779	C=2176610	-

SCALE	SHEET	OF	REV
1:1	1	2	BA

REVISIONS

P	LTR	DESCRIPTION	DATE	DWN	APVD
	-	SEE SHEET 1	-	-	-

SCHEDULE

TCPN	CATALOGUE NUMBER	PART DESCRIPTION	PART STATUS
2176610-1	EP1W SS1R0J	EP 1W (SS) 1R0 5%	PRODUCTION
2176610-2	EP1W SS1R1J	EP 1W (SS) 1R1 5%	PRODUCTION
2176610-3	EP1W SS1R2J	EP 1W (SS) 1R2 5%	PRODUCTION
2176610-4	EP1W SS1R3J	EP 1W (SS) 1R3 5%	PRODUCTION
2176610-5	EP1W SS1R5J	EP 1W (SS) 1R5 5%	PRODUCTION
2176610-6	EP1W SS1R6J	EP 1W (SS) 1R6 5%	PRODUCTION
2176610-7	EP1W SS1R8J	EP 1W (SS) 1R8 5%	PRODUCTION
2176610-8	EP1W SS2R0J	EP 1W (SS) 2R0 5%	PRODUCTION
2176610-9	EP1W SS2R2J	EP 1W (SS) 2R2 5%	PRODUCTION
1-2176610-0	EP1W SS2R4J	EP 1W (SS) 2R4 5%	PRODUCTION
1-2176610-1	EP1W SS2R7J	EP 1W (SS) 2R7 5%	PRODUCTION
1-2176610-2	EP1W SS3R0J	EP 1W (SS) 3R0 5%	PRODUCTION
1-2176610-3	EP1W SS3R3J	EP 1W (SS) 3R3 5%	PRODUCTION
1-2176610-4	EP1W SS3R6J	EP 1W (SS) 3R6 5%	PRODUCTION
1-2176610-5	EP1W SS3R9J	EP 1W (SS) 3R9 5%	PRODUCTION
1-2176610-6	EP1W SS4R3J	EP 1W (SS) 4R3 5%	PRODUCTION
1-2176610-7	EP1W SS4R7J	EP 1W (SS) 4R7 5%	PRODUCTION
1-2176610-8	EP1W SS5R1J	EP 1W (SS) 5R1 5%	PRODUCTION
1-2176610-9	EP1W SS5R6J	EP 1W (SS) 5R6 5%	PRODUCTION
2-2176610-0	EP1W SS6R2J	EP 1W (SS) 6R2 5%	PRODUCTION
2-2176610-1	EP1W SS6R8J	EP 1W (SS) 6R8 5%	PRODUCTION
2-2176610-2	EP1W SS7R5J	EP 1W (SS) 7R5 5%	PRODUCTION
2-2176610-3	EP1W SS8R2J	EP 1W (SS) 8R2 5%	PRODUCTION
2-2176610-4	EP1W SS9R1J	EP 1W (SS) 9R1 5%	PRODUCTION
2-2176610-5	EP1W SS10RJ	EP 1W (SS) 10R 5%	PRODUCTION
2-2176610-6	EP1W SS11RJ	EP 1W (SS) 11R 5%	PRODUCTION
2-2176610-7	EP1W SS12RJ	EP 1W (SS) 12R 5%	PRODUCTION
2-2176610-8	EP1W SS13RJ	EP 1W (SS) 13R 5%	PRODUCTION
2-2176610-9	EP1W SS15RJ	EP 1W (SS) 15R 5%	PRODUCTION
3-2176610-0	EP1W SS16RJ	EP 1W (SS) 16R 5%	PRODUCTION
3-2176610-1	EP1W SS18RJ	EP 1W (SS) 18R 5%	PRODUCTION
3-2176610-2	EP1W SS20RJ	EP 1W (SS) 20R 5%	PRODUCTION
3-2176610-3	EP1W SS22RJ	EP 1W (SS) 22R 5%	PRODUCTION
3-2176610-4	EP1W SS24RJ	EP 1W (SS) 24R 5%	PRODUCTION
3-2176610-5	EP1W SS27RJ	EP 1W (SS) 27R 5%	PRODUCTION
3-2176610-6	EP1W SS30RJ	EP 1W (SS) 30R 5%	PRODUCTION
3-2176610-7	EP1W SS33RJ	EP 1W (SS) 33R 5%	PRODUCTION
3-2176610-8	EP1W SS36RJ	EP 1W (SS) 36R 5%	PRODUCTION
3-2176610-9	EP1W SS39RJ	EP 1W (SS) 39R 5%	PRODUCTION
4-2176610-0	EP1W SS43RJ	EP 1W (SS) 43R 5%	PRODUCTION

SCHEDULE

TCPN	CATALOGUE NUMBER	PART DESCRIPTION	PART STATUS
4-2176610-1	EP1W SS47RJ	EP 1W (SS) 47R 5%	PRODUCTION
4-2176610-2	EP1W SS51RJ	EP 1W (SS) 51R 5%	PRODUCTION
4-2176610-3	EP1W SS56RJ	EP 1W (SS) 56R 5%	PRODUCTION
4-2176610-4	EP1W SS62RJ	EP 1W (SS) 62R 5%	PRODUCTION
4-2176610-5	EP1W SS68RJ	EP 1W (SS) 68R 5%	PRODUCTION
4-2176610-6	EP1W SS75RJ	EP 1W (SS) 75R 5%	PRODUCTION
4-2176610-7	EP1W SS82RJ	EP 1W (SS) 82R 5%	PRODUCTION
4-2176610-8	EP1W SS91RJ	EP 1W (SS) 91R 5%	PRODUCTION
4-2176610-9	EP1W SS100RJ	EP 1W (SS) 100R 5%	PRODUCTION
5-2176610-0	EP1W SS110RJ	EP 1W (SS) 110R 5%	PRODUCTION
5-2176610-1	EP1W SS120RJ	EP 1W (SS) 120R 5%	PRODUCTION
5-2176610-2	EP1W SS130RJ	EP 1W (SS) 130R 5%	PRODUCTION
5-2176610-3	EP1W SS150RJ	EP 1W (SS) 150R 5%	PRODUCTION
5-2176610-4	EP1W SS160RJ	EP 1W (SS) 160R 5%	PRODUCTION
5-2176610-5	EP1W SS180RJ	EP 1W (SS) 180R 5%	PRODUCTION
5-2176610-6	EP1W SS200RJ	EP 1W (SS) 200R 5%	PRODUCTION
5-2176610-7	EP1W SS220RJ	EP 1W (SS) 220R 5%	PRODUCTION
5-2176610-8	EP1W SS240RJ	EP 1W (SS) 240R 5%	PRODUCTION
5-2176610-9	EP1W SS270RJ	EP 1W (SS) 270R 5%	PRODUCTION
6-2176610-0	EP1W SS300RJ	EP 1W (SS) 300R 5%	PRODUCTION
6-2176610-1	EP1W SS330RJ	EP 1W (SS) 330R 5%	PRODUCTION
6-2176610-2	EP1W SS360RJ	EP 1W (SS) 360R 5%	PRODUCTION
6-2176610-3	EP1W SS390RJ	EP 1W (SS) 390R 5%	PRODUCTION
6-2176610-4	EP1W SS430RJ	EP 1W (SS) 430R 5%	PRODUCTION
6-2176610-5	EP1W SS470RJ	EP 1W (SS) 470R 5%	PRODUCTION
6-2176610-6	EP1W SS510RJ	EP 1W (SS) 510R 5%	PRODUCTION
6-2176610-7	EP1W SS560RJ	EP 1W (SS) 560R 5%	PRODUCTION
6-2176610-8	EP1W SS620RJ	EP 1W (SS) 620R 5%	PRODUCTION
6-2176610-9	EP1W SS680RJ	EP 1W (SS) 680R 5%	PRODUCTION
7-2176610-0	EP1W SS750RJ	EP 1W (SS) 750R 5%	PRODUCTION

THIS DRAWING IS A CONTROLLED DOCUMENT.

DWN DHEERAJ M 21MAR2023

CHK ALLAN P 21MAR2023

APVD ALLAN P 21MAR2023

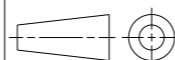
PRODUCT SPEC

APPLICATION SPEC

WEIGHT -

CUSTOMER DRAWING

DIMENSIONS:
mm



TOLERANCES UNLESS OTHERWISE SPECIFIED:

- 0 PLC ±
- 1 PLC ±
- 2 PLC ±
- 3 PLC ±
- 4 PLC ±
- ANGLES ±°

MATERIAL -

FINISH -



TE Connectivity

NAME WIREWOUND ANTI-SURGE RESISTOR
TYPE EP 1W SS SERIES

SIZE CAGE CODE DRAWING NO RESTRICTED TO

A3 00779 C-2176610

SCALE 1:1 SHEET 2 OF 2 REV BA