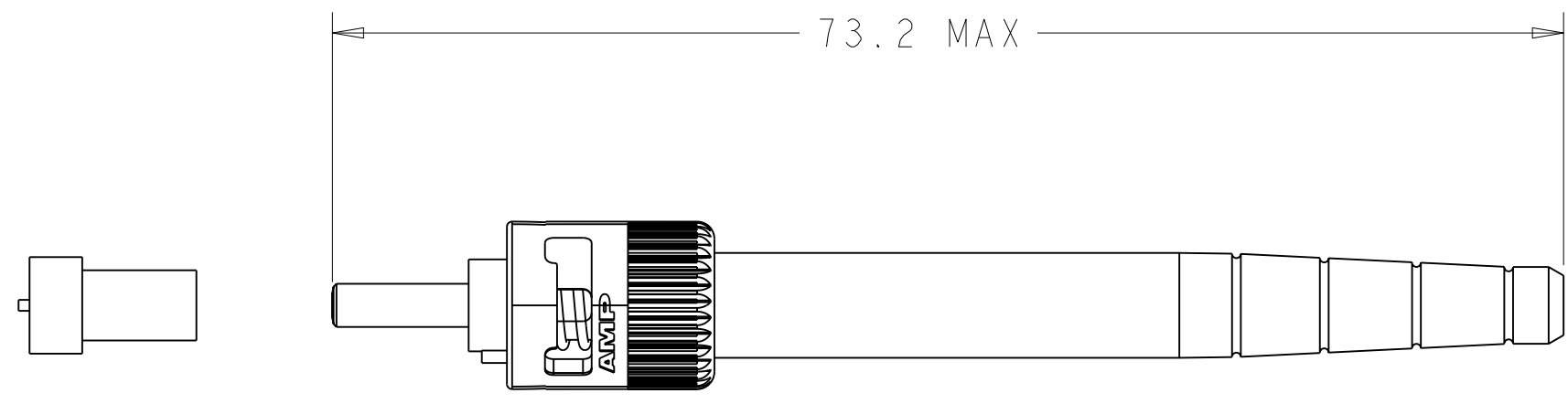
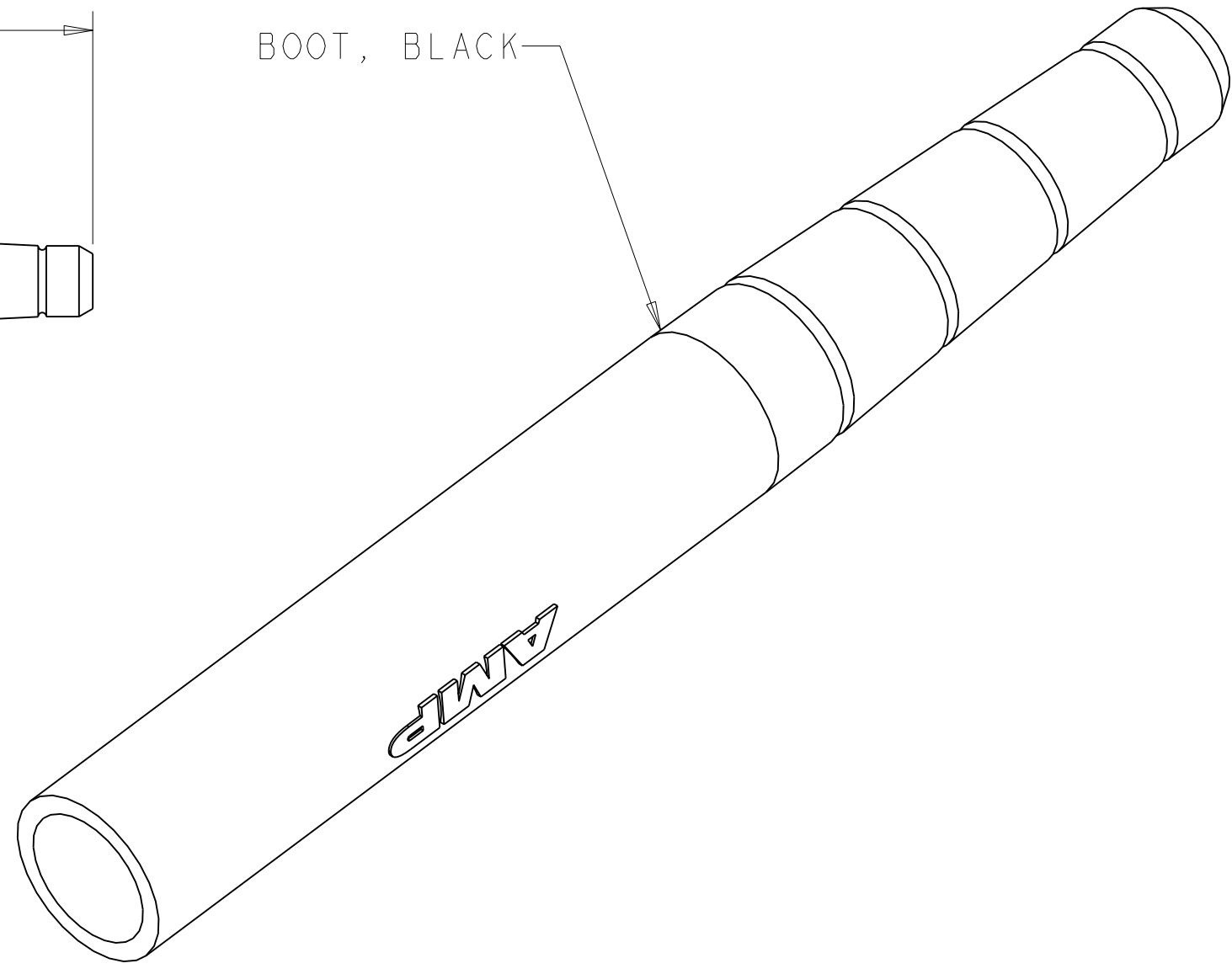


THIS DRAWING IS UNPUBLISHED. RELEASED FOR PUBLICATION 20  
 © COPYRIGHT 20 BY TYCO ELECTRONICS CORPORATION. ALL RIGHTS RESERVED.

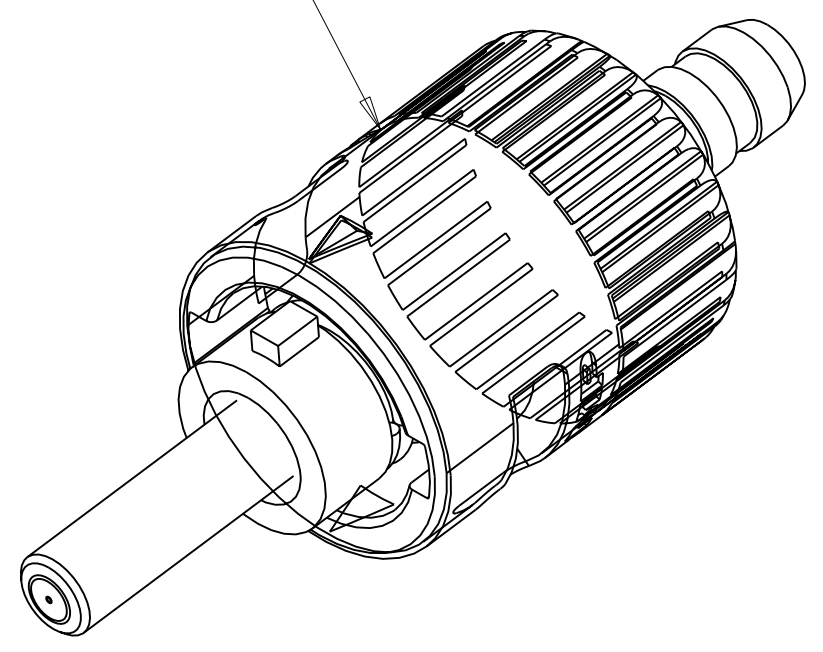
LOC		DIST		REVISIONS			
P	LTR	DESCRIPTION	DATE	DWN	APVD		
CE	00	A	RELEASE PER ECR-06-003053	07FEB2006	BB	SB	



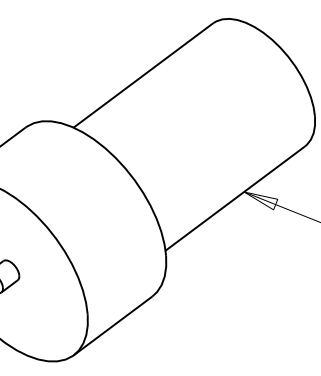
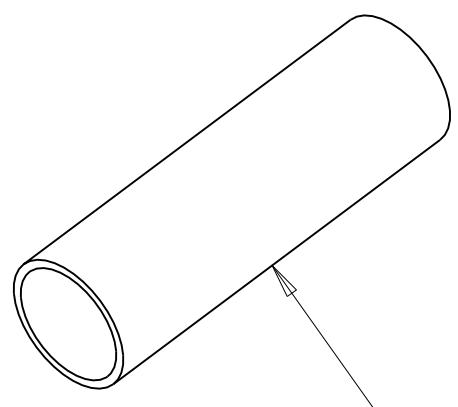
BOOT, BLACK



CONNECTOR ASSEMBLY



CRIMP SLEEVE



PROTECTIVE COVER

5504009-1  
 PART NUMBER

<small>THIS DRAWING IS A CONTROLLED DOCUMENT FOR TYCO ELECTRONICS CORPORATION          IT IS SUBJECT TO CHANGE AND THE CONTROLLING ENGINEERING ORGANIZATION          SHOULD BE CONTACTED FOR THE LATEST REVISION.</small>		DWN <b>B. BRIGGS</b> 20OCT2005 CHK <b>S. BUCHTER</b> 20OCT2005 APVD <b>S. BUCHTER</b> 20OCT2005	<b>tyco</b> Tyco Electronics <b>Electronics</b> Harrisburg, PA 17105-3608
DIMENSIONS: mm 	TOLERANCES UNLESS OTHERWISE SPECIFIED: 0 PLC ± 1 PLC ± 2 PLC ± 3 PLC ± 4 PLC ± ANGLES ±	PRODUCT SPEC - APPLICATION SPEC - WEIGHT -	NAME CONNECTOR KIT, BAYONET, 125um, STAINLESS STEEL, MULTIMODE SIZE CAGE CODE DRAWING NO RESTRICTED TO A200779 C=5504009 -
MATERIAL -		CUSTOMER DRAWING	
		SCALE 5:1	SHEET 1 OF 1 REV A