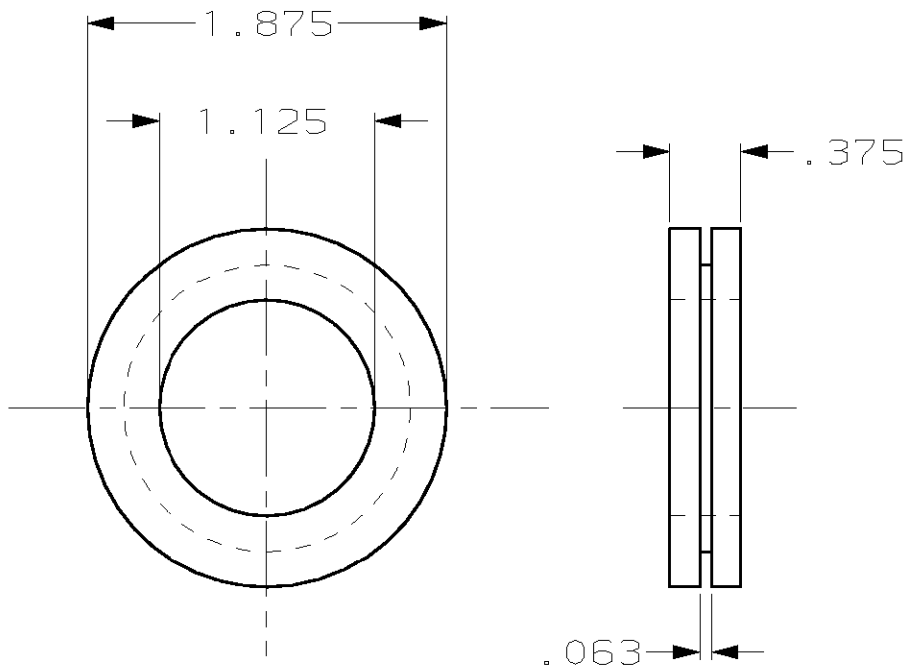


LOC	DIST	REVISIONS					
CE	16	P	LTR	DESCRIPTION	DATE	DWN	APVD
		0		RELEASED PER NPR 00-317	18APR00	TG	DM




1. ALL DIMENSIONS ARE NOMINAL UNLESS OTHERWISE STATED.

AMP PART NO  
1374608-1

RELEASED FOR PUBLICATION

THIS DRAWING IS UNPUBLISHED.

BY AMP INCORPORATED. ALL RIGHTS RESERVED.

DIMENSIONS: INCHES	DWN	T. GREEN	18APR00	MATERIAL	RUBBER	FINISH	-
	CHK	J. HOFFER	18APR00	 AMP Incorporated Harrisburg, PA 17105-3608			
TOLERANCES UNLESS OTHERWISE SPECIFIED:	APVD	D. MCCLURE	18APR00				
0 PLC ±-	PRODUCT SPEC	NAME GROMMET, RUBBER					
1 PLC ±-	APPLICATION SPEC						
2 PLC ±-	WEIGHT	SIZE CAGE CODE DRAWING NO RESTRICTED TO					
3 PLC ±-		A4 00779 C-1374608 -					
4 PLC ±-		CUSTOMER DRAWING SCALE 1:1 SHEET 1 OF 1 REV 0					
ANGLES ±-							