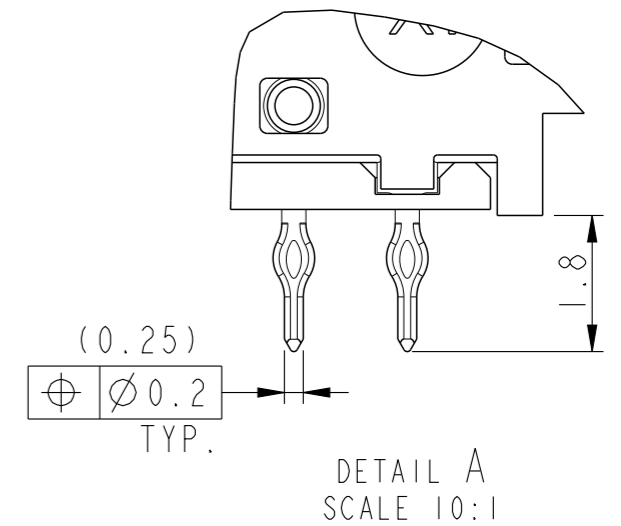
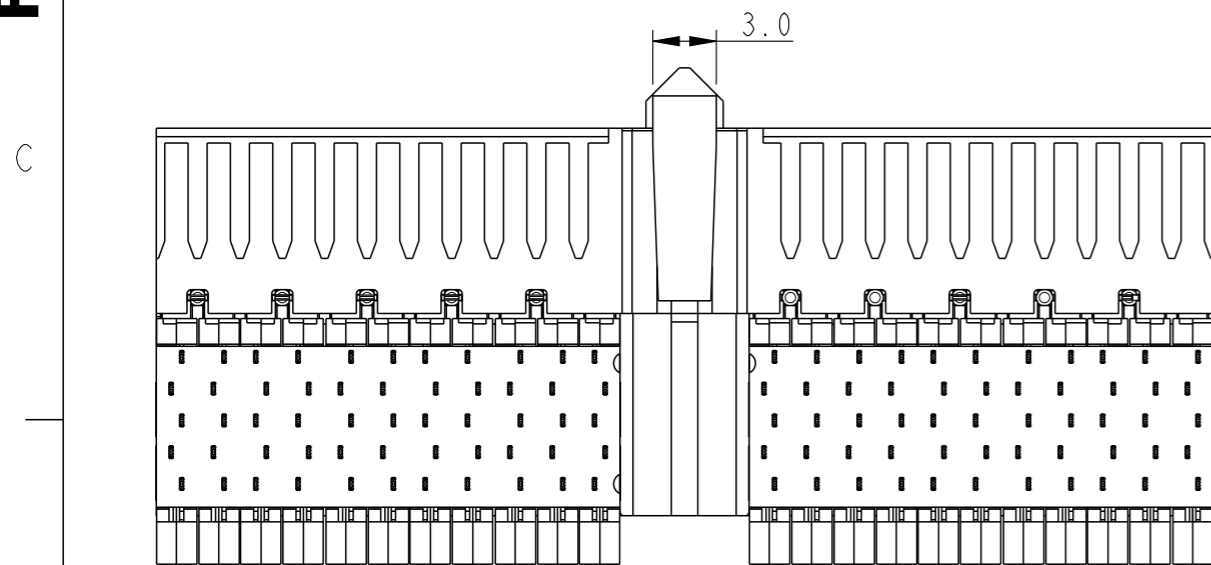
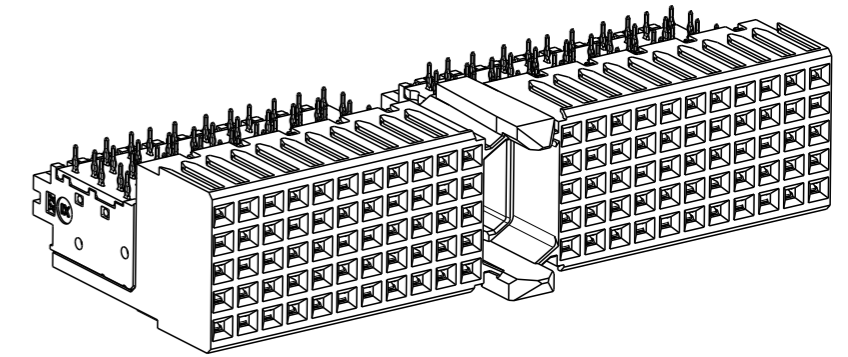
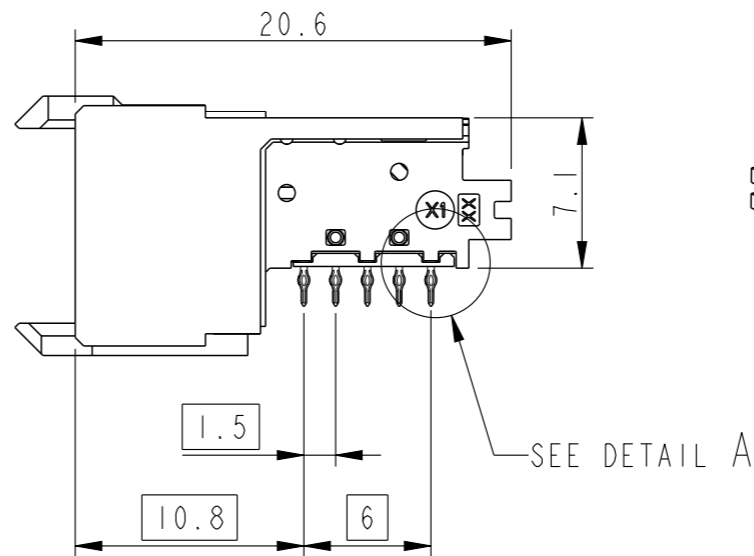
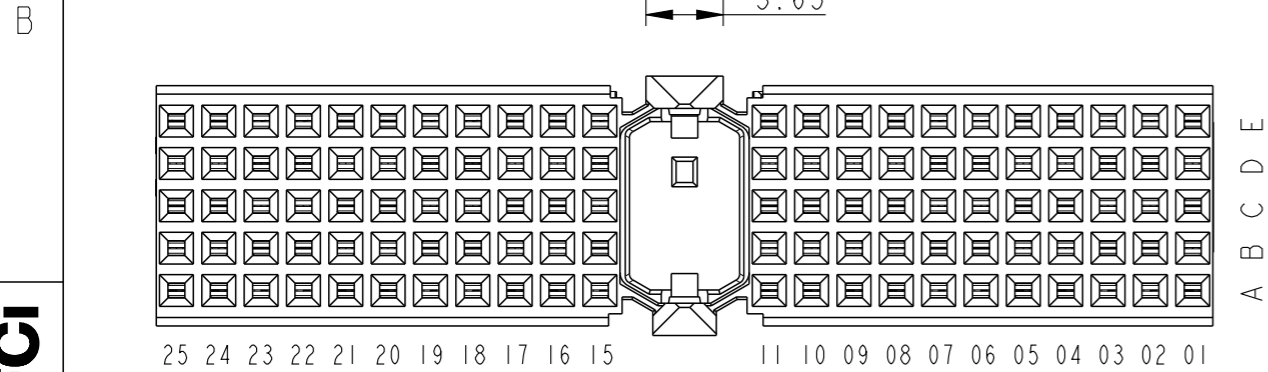
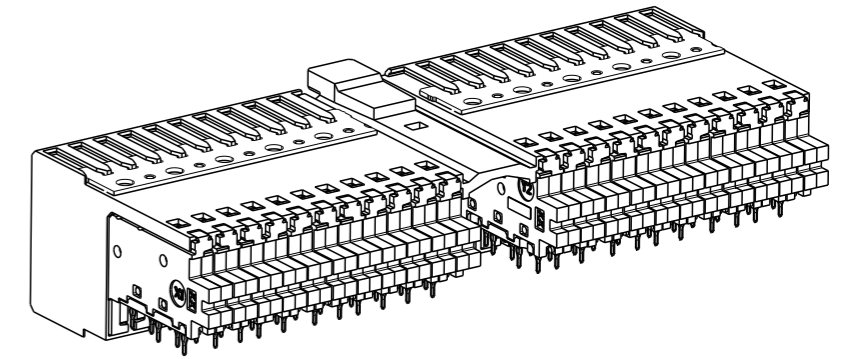
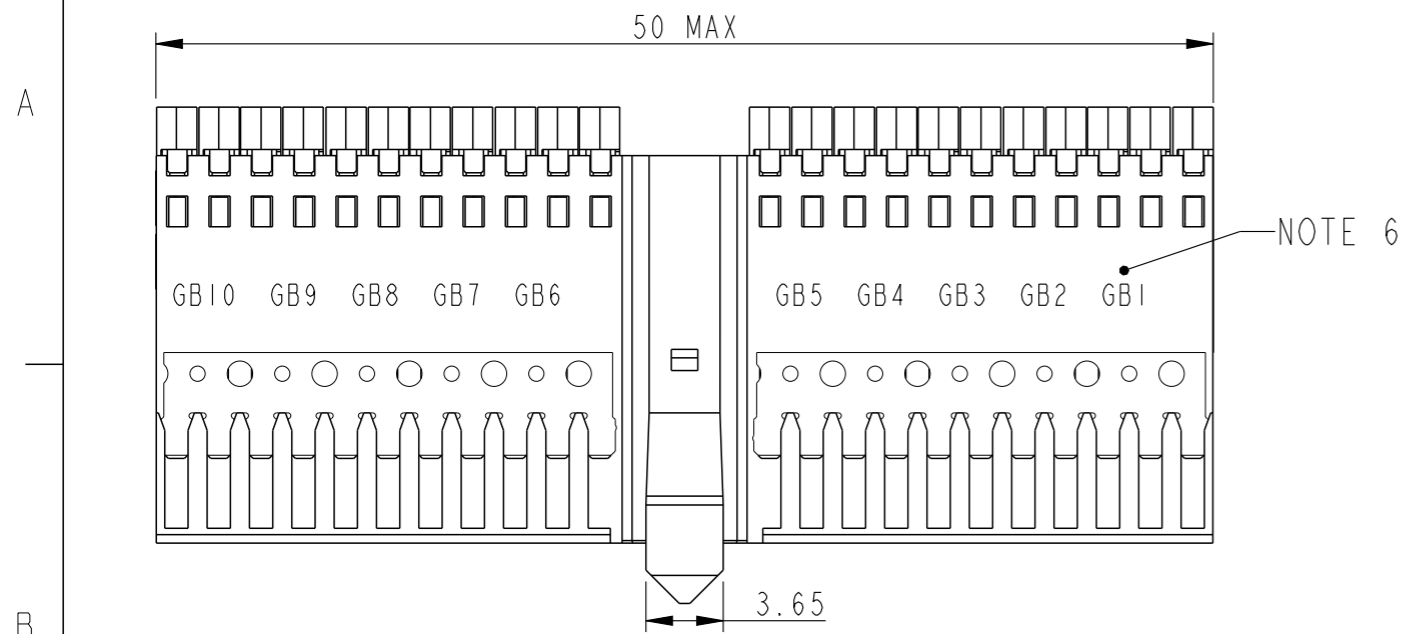


PART NUMBER	GRNDBAR 1 POS	GRNDBAR 2 POS	GRNDBAR 3 POS	GRNDBAR 4 POS	GRNDBAR 5 POS	GRNDBAR 6 POS	GRNDBAR 7 POS	GRNDBAR 8 POS	GRNDBAR 9 POS	GRNDBAR 10 POS
10143147-101LF	3B, 2C, 3D	NIL	6A, 7B, 6C, 7D, 6E	NIL	NIL	17A, 16B, 17C, 16D, 17E	18A, 19B, 18C, 19D, 18E	21A, 20B, 21C, 20D, 21E	22A, 23B, 23D, 22E	25A, 24B, 25C, 24D, 25E

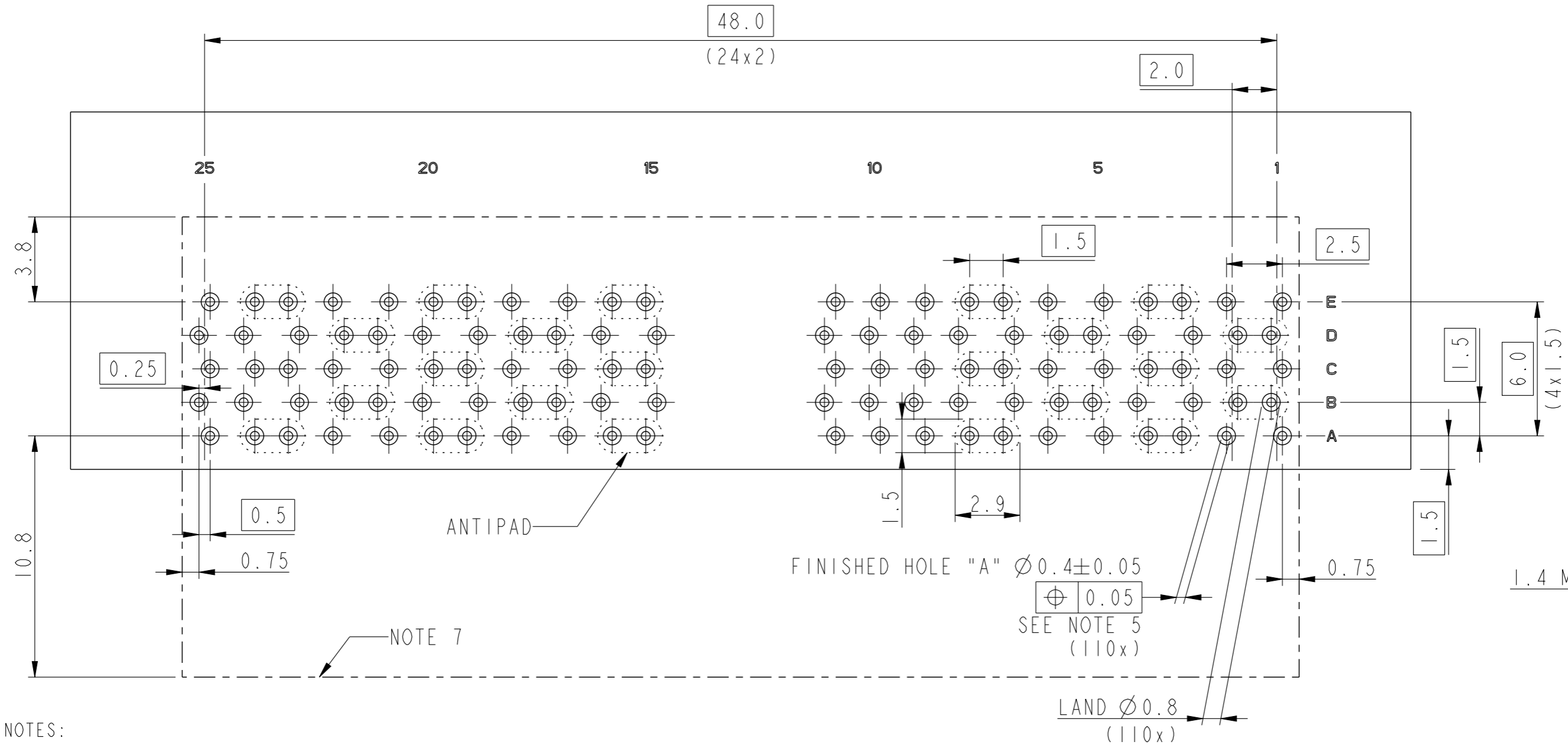
ABOVE TABLE SHOWS CONNECTED GROUND POSITIONS OF INDIVIDUAL GROUNDBARS



spec ref	-	dr	Binesh C	2017/10/16	projection	mm	size	A3	scale	2:1							
tolerance std	ISO 406 ISO 1101	eng	Binesh C	2017/10/16		← →	ecn no	-	rel level	Released							
TOLERANCES UNLESS OTHERWISE SPECIFIED		chr	-	-													
surface	linear	appr	K-Paul Biju	2017/10/16	product family	MILLIPACS	10143147		rev	A							
ISO 1302	angular	<table border="1"> <tr><td>0.X</td><td>±0.30</td></tr> <tr><td>0.XX</td><td>±0.20</td></tr> <tr><td>0.XXX</td><td>±0.15</td></tr> <tr><td>0°</td><td>±3°</td></tr> </table>		0.X	±0.30	0.XX	±0.20	0.XXX	±0.15	0°	±3°	Amphenol FCI TYPE A RECEPTACLE ASSEMBLY MILLIPACS 10Gbps - NON SHIELDED		cat. no.	10143147-101LF	Product - Customer Drw	sheet 1 of 2
0.X	±0.30																
0.XX	±0.20																
0.XXX	±0.15																
0°	±3°																

PART NUMBER:

RECOMMENDED PCB LAYOUT FOR 10143147-101LF



NOTES:

1. Materials
 - Housing & IMLA's: LCP (UL94 V-0)
 - Leadframe: Copper alloy
2. Finish
 - Contact area: Ni underlayer with Au or GXT top layer
 - EON area: Ni underlayer with Sn top layer
3. Mates with IEC 61076-4-101 series 2mm HM headers with contact mating level 1 & 2 in signal rows.
4. Mounting style: Press-fit, flat rock insertion
5. Refer the table for Recommended plated through hole dimensions.
6. Groundbar positions indicated by "GBx".
7. Connector spacing

RECOMMENDED PLATED THROUGH HOLE DIMENSIONS

DIM	FINISHED HOLE DIA	Cu. THICKNESS	Sn THICKNESS	DRILLED HOLE DIA
A	0.35-0.45	0.02-0.05	0.0008-0.0012	0.45-0.49

spec ref	-	dr	Binesh C	2017/10/16	projection	mm	size	A3	scale	5:1
tolerance std	ISO 406 ISO 1101	eng	Binesh C	2017/10/16			ecn no	-	rel level	Released
TOLERANCES UNLESS OTHERWISE SPECIFIED		chr	-	-						
surface	linear	appr	K-Paul Biju	2017/10/16	product family	MILLIPACS	10143147		rev	A
	angular			TYPE A RECEPTACLE ASSEMBLY MILLIPACS 10Gbps - NON SHIELDED		cat. no. 10143147-101LF		Product - Customer Drw		sheet 2 of 2