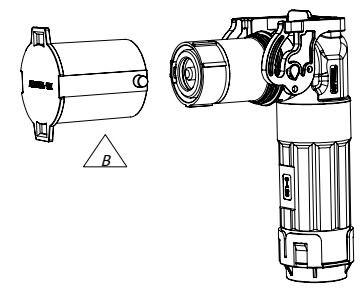
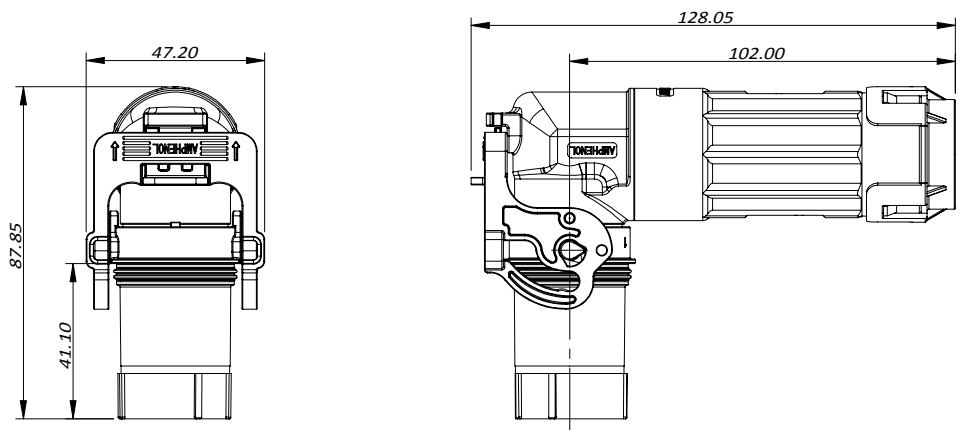


THIS DRAWING IS SUPPLIED FOR INFORMATION ONLY. DESIGN FEATURES, SPECIFICATIONS AND PERFORMANCE DATA SHOWN HEREON ARE THE PROPERTY OF THE AMPHENOL CORPORATION. NO RIGHTS OF REPRODUCTION ARE IMPLIED. ALL DIMENSIONS ARE SUBJECT TO NORMAL MANUFACTURING VARIATIONS.

# CUSTOMER DRAWING



REVISIONS					
REV#	ECN#	REVISION ACTION	REV.BY:	APPR.BY:	DATE
A	--	INITIAL RELEASE	Star	JL	10/26/2020
B	--	Add Dust Cap And Protection Cap	Star	JL	01/13/2021



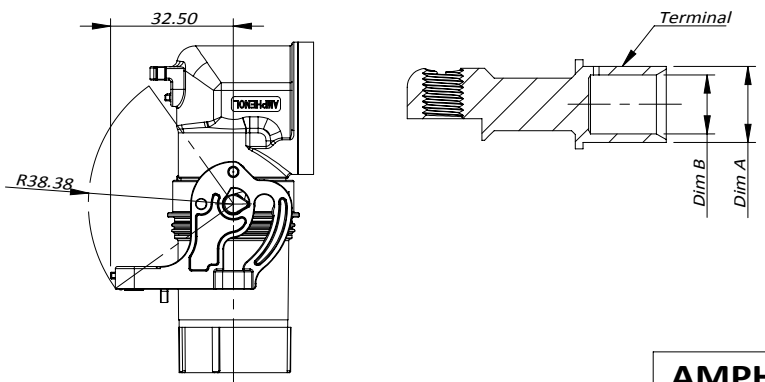
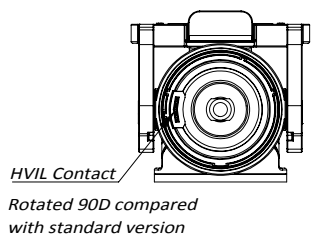
## 订购信息 Ordering Information

PL29 X - 50 1 - 95 - 2 -5

Key and Color	HVIL	Cable size:	Cable Type:
"X", Orange	"0", NO HVIL	"70"=70mm <sup>2</sup>	"-5", Huber+Suhner
"Y", Black	"1", With HVIL	"95"=95mm <sup>2</sup>	
"U", Yellow		"120"=120mm <sup>2</sup>	
"V", Green			
"W", Red			
"T", Blue			

### 规格参数(Spec.):

- 工作温度 Operating temperature: -40°C ~ +125°C.
- 带高压互锁 Electrical interlock (HVIL).
- 额定电流 Current rating:  
Power: 70mm<sup>2</sup>, 250A; 95mm<sup>2</sup>, 300A; 120mm<sup>2</sup>, 400A; HVIL: 5A.
- 额定电压 Operating voltage:  
Power: 1000 VDC; Signal: 60 VDC.
- 耐电压 Dielectric withstanding voltage:  
A. 与插座对插后, Pin与铁壳之间  
When mated, between pin and metal shell: 5000 VDC.  
B. 与插座对插后, Pin与HVIL之间  
When mated, between pin and HVIL: 5000 VDC.  
C. 与插座对插后, HVIL与铁壳之间  
When mated, between HVIL and metal shell: 500 VDC.  
D. 与插座对插前, 两个HVIL端子之间耐压  
Before mating, between two HVIL terminals: 500 VDC.
- 防护等级 Protection class: Mated-IP6k9k & IP67, unmated-IP2X.
- 电磁屏蔽 360° full Shielding.
- 机械寿命 Mating cycle: 100 Min.
- 带CPA的摇杆系统 Latch system with CPA.
- 绝缘材料满足UL94 V-0 Inner insulation material satisfy UL94V-0.
- 镀灰锌/镀锌合金, 符合RoHS, 满足500H中性盐雾实验  
Gray Zinc/Nickel(ZnNi) Plating, RoHS compliant, Rated at 500hours salt spray.
- 对插座型号: Model of mating receptacle: PL00(X)-50(X)-90(XX)-2



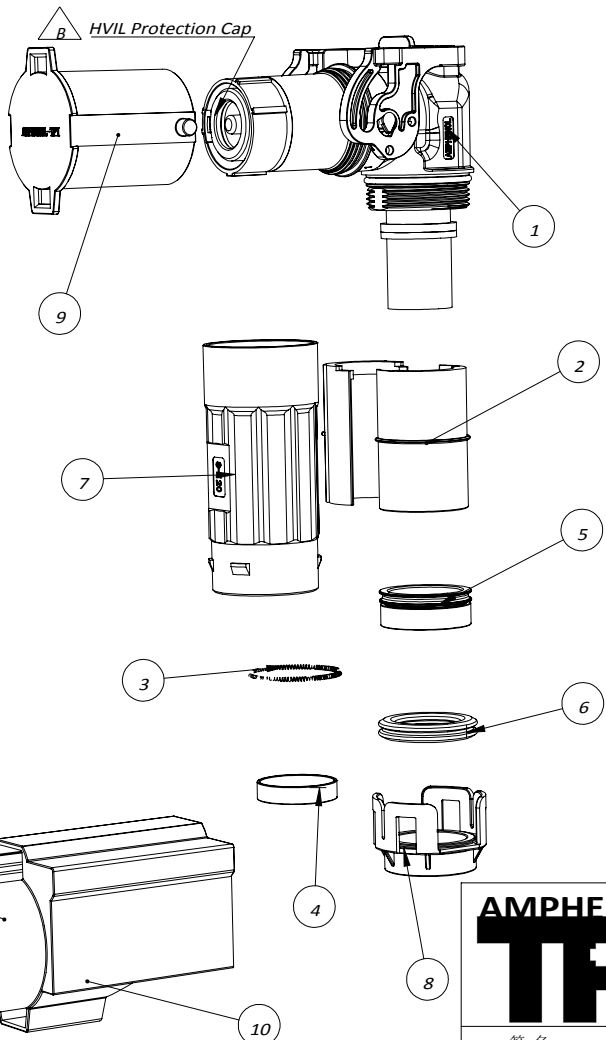
### Standard Part List:

Model No.	Overall-diameter Nominal(mm)	Dia Primary Insulation(mm)	Intside-diameter of terminal(mm): "B"	Outside-diameter of terminal(mm): "A"
PL29(X)-50X-70-2-5	17.00±0.3	13.70±0.3	12.2±0.3	16.7±0.3
PL29(X)-50X-95-2-5	19.90±0.4	16.20±0.3	13.9±0.3	17.9±0.3
PL29(X)-50X-120-2-5	22.60±0.4	18.00±0.3	15.6±0.3	20.1±0.3

		Amphenol Technical Products International Asia.					PART NAME:	
		第三角投影 THIRD ANGLE PROJECTION	页面 SHEET	幅面 SIZE	版次 REV.	比例 SCALE	PL14mm G2 Right Angle Plug 90D	
签名 SIGNATURE		日期 DATE	UNLESS OTHERWISE SPECIFIED			DWG NO:		
制图 DRAWN		Star	01/13/2021	1) All dimensions are in metric(mm). 2) Tolerances are as follows:			PL29X-50X-XX-2-5	
审核 CHECKED				1.PL DEC ± 1.00 2.PL DEC ± 0.50 3.PL DEC ± 0.20			CUST PART #	
批准 APPROVAL				Angles ±1°			CUST REV.	

THIS DRAWING IS SUPPLIED FOR INFORMATION ONLY. DESIGN FEATURES, SPECIFICATIONS AND PERFORMANCE DATA SHOWN HEREON ARE THE PROPERTY OF THE AMPHENOL CORPORATION. NO RIGHTS OF REPRODUCTION ARE IMPLIED. ALL DIMENSIONS ARE SUBJECT TO NORMAL MANUFACTURING VARIATIONS.

1	2	3
型号 Model	Kit Package P/N	Bulk Package P/N
PL29X-500-95-2-5	AC-HA014601	AC-HA014601-2
PL29Y-500-95-2-5	AC-HA014602	AC-HA014602-2
PL29U-500-95-2-5	AC-HA014603	AC-HA014603-2
PL29V-500-95-2-5	AC-HA014604	AC-HA014604-2
PL29W-500-95-2-5	AC-HA014605	AC-HA014605-2
PL29T-500-95-2-5	AC-HA014606	AC-HA014606-2
PL29X-500-120-2-5	AC-HA014607	AC-HA014607-2
PL29Y-500-120-2-5	AC-HA014608	AC-HA014608-2
PL29U-500-120-2-5	AC-HA014609	AC-HA014609-2
PL29V-500-120-2-5	AC-HA014610	AC-HA014610-2
PL29W-500-120-2-5	AC-HA014611	AC-HA014611-2
PL29T-500-120-2-5	AC-HA014612	AC-HA014612-2
PL29X-500-70-2-5	AC-HA014613	AC-HA014613-2
PL29Y-500-70-2-5	AC-HA014614	AC-HA014614-2
PL29U-500-70-2-5	AC-HA014615	AC-HA014615-2
PL29V-500-70-2-5	AC-HA014616	AC-HA014616-2
PL29W-500-70-2-5	AC-HA014617	AC-HA014617-2
PL29T-500-70-2-5	AC-HA014618	AC-HA014618-2
PL29X-501-95-2-5	AC-HA014619	AC-HA014619-2
PL29Y-501-95-2-5	AC-HA014620	AC-HA014620-2
PL29U-501-95-2-5	AC-HA014621	AC-HA014621-2
PL29V-501-95-2-5	AC-HA014622	AC-HA014622-2
PL29W-501-95-2-5	AC-HA014623	AC-HA014623-2
PL29T-501-95-2-5	AC-HA014624	AC-HA014624-2
PL29X-501-120-2-5	AC-HA014625	AC-HA014625-2
PL29Y-501-120-2-5	AC-HA014626	AC-HA014626-2
PL29U-501-120-2-5	AC-HA014627	AC-HA014627-2
PL29V-501-120-2-5	AC-HA014628	AC-HA014628-2
PL29W-501-120-2-5	AC-HA014629	AC-HA014629-2
PL29T-501-120-2-5	AC-HA014630	AC-HA014630-2
PL29X-501-70-2-5	AC-HA014631	AC-HA014631-2
PL29Y-501-70-2-5	AC-HA014632	AC-HA014632-2
PL29U-501-70-2-5	AC-HA014633	AC-HA014633-2
PL29V-501-70-2-5	AC-HA014634	AC-HA014634-2
PL29W-501-70-2-5	AC-HA014635	AC-HA014635-2
PL29T-501-70-2-5	AC-HA014636	AC-HA014636-2



REVISIONS					
REV#	ECN#	REVISION ACTION	REV.BY:	APPR.BY:	DATE
A	--	INITIAL RELEASE	Star	JL	10/26/2020
B	--	Add Dust Cap And Protection Cap	Star	JL	01/13/2021

10	PL500 G2 1 POS plug protection cap	1	Order P/N AC-CP001600
9	PL500 G2 Dust cap for Plug	1	
8	PL500 G2 R/A Tail Cap H+S cable	1	Different P/N are used according to different Cable sizes
7	PL500 G2 Back Shell 14mm-90	1	Different P/N are used according to different Cable sizes
6	PL500 G2 cable sealing	1	Different P/N are used according to different Cable sizes
5	PL500 G2 Outer Copper Ring for R/A Plug	1	Different P/N are used according to different Cable sizes
4	PL500 G2 Inner Copper Ring	1	Different P/N are used according to different Cable sizes
3	PL500 G2 Canted Coil Spring For Plug	1	
2	PL500 G2 Plastic set	2	
1	PL500 G2 Front Shell 14mm-90 Assy	1	Different P/N are used according to different Cable sizes
ITEM	DESCRIPTION	QTY	REMARK

MATERIALS LIST

Note: Optional to be ordered separately

**Amphenol Technical Products International Asia.**

第三角投影  
**THIRD ANGLE PROJECTION**

日期 DATE: 01/13/2021

UNLESS OTHERWISE SPECIFIED  
1) All dimensions are in metric (mm).  
2) Tolerances are as follows:  
1.PL DEC ± 1.00  
2.PL DEC ± 0.50  
3.PL DEC ± 0.20

PART NAME:  
**PL14mm G2 Right Angle Plug 90D**

DWG NO:  
**PL29X-50X-XX-2-5**

CUST PART #

CUST REV.