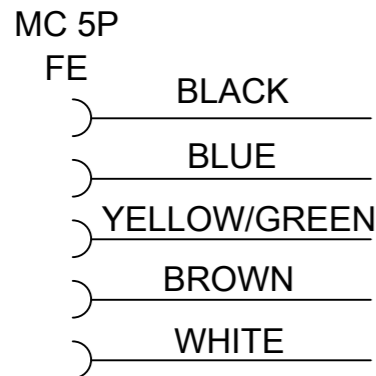
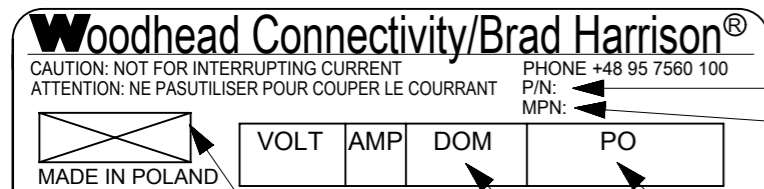


WIRING DIAGRAM



LABEL PRINTING



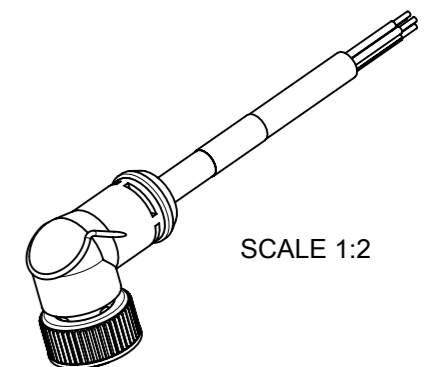
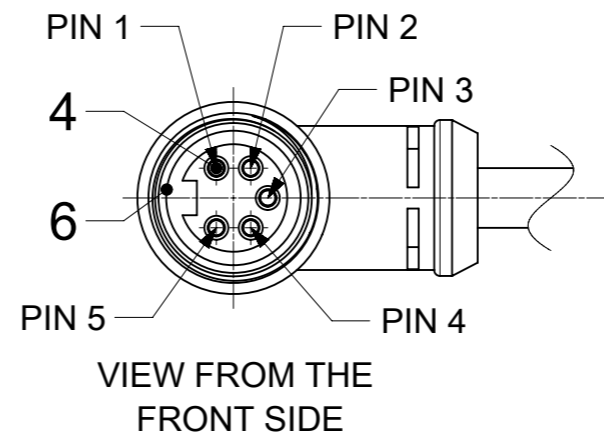
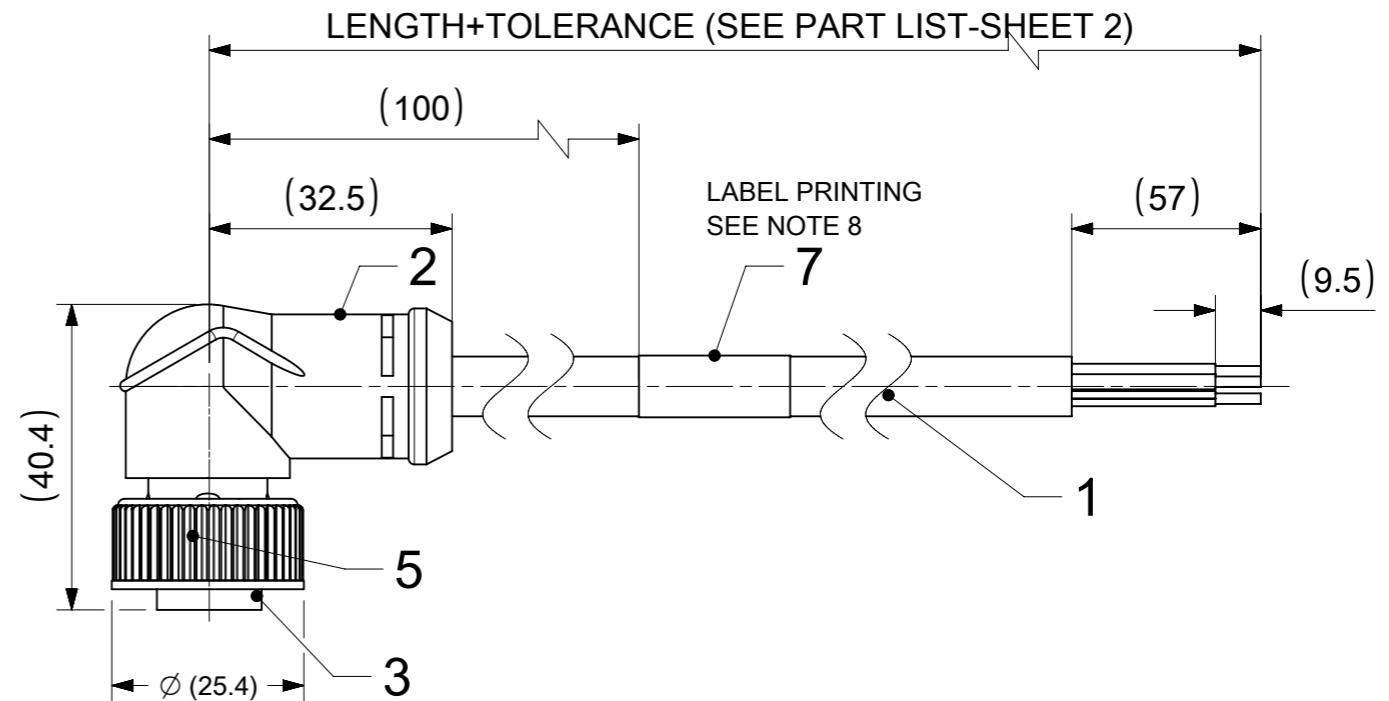
ENGINEERING NO.
MOLEX PN

PO NO.
PRODUCT. DATE

CERTIFICATION SYMBOLS

NOTES:

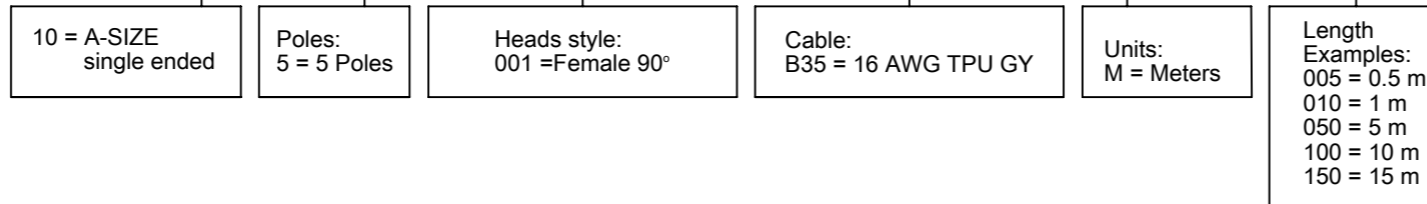
1. MATERIAL: AS NOTED
2. FINISH: AS NOTED
3. ELECTRICAL:
VOLTAGE: 600 V
CURRENT: 10 A
4. TEMPERATURE RATING:
STATIC: -40 °C TO 90 °C
DYNAMIC: -25 °C TO 80 °C
5. PROTECTION: IP67 (WHEN MATED)
6. UL CERTIFICATION: UL LISTED, FILE NO. E152210
7. BOM, PART LIST AND MATRIX - SEE SHEET 2
8. LABEL PRINTING ACC. STANDARD LABEL INSTRUCTION



FUNCTIONAL SYMBOLS	THIS DRAWING CONTAINS INFORMATION THAT IS PROPRIETARY TO MOLEX ELECTRONIC TECHNOLOGIES, LLC AND SHOULD NOT BE USED WITHOUT WRITTEN PERMISSION		CURRENT REV DESC: NOTES UPDATED, LABEL PRINTING ADDED		molex		
	DIMENSION UNITS	SCALE					
$\nabla_A = 0$	mm	1:1	GENERAL TOLERANCES (UNLESS SPECIFIED)		CSE MC 5P A-SIZE FE RA XM PUR SE		
$\nabla_E = 0$	ANGULAR TOL ± 1.0°		4 PLACES ±		PRODUCT CUSTOMER DRAWING		
$\nabla_F = 0$	3 PLACES ±		2 PLACES ± 0.05		DOCUMENT NUMBER		
DIVISIONAL SYMBOLS	1 PLACE ± 0.3		0 PLACES ± 0.5		DOC TYPE		
	DRAFT WHERE APPLICABLE MUST REMAIN WITHIN DIMENSIONS		THIRD ANGLE PROJECTION		DOC PART		
	DRAWING		SERIES		REVISION		
	A3-SIZE		130006		SD-130006-051		
	MATERIAL NUMBER		CUSTOMER		SHEET NUMBER		
	SEE SHEET 2		GENERAL MARKET		1 OF 2		

PART No. MATRIX

1 0 5 0 0 1 B 3 5 M X X X



PART LIST

MOLEX PN	ENGINEERING NO.	L + Tol. [mm]
1300068174	105001B35M020	2000 + 89
1300068175	105001B35M050	5000 + 165
1300068176	105001B35M100	10000 + 317
1300068177	105001B35M200	20000 + 610
1300068178	105001B35M300	30000 + 610
1300068274	105001B35M010	1000 +56

BILL OF MATERIAL

ITEM	QTY	DESCRIPTION	MATERIAL	FINISH/COLOR
7	1	LABEL	VINYL	YELLOW
6	1	FRICTION RING	NYLON	-
5	1	COUPLINGNUT	ZINC DIE-CAST	BLACK E-COAT
4	5	FEMALE CONTACT	Cu ALLOY	GOLD OVER NICKEL
3	1	INSERT	PUR	BLACK
2	-	OVERMOLD	TPE	BLACK
1	-	CABLE 16AWG OD=8.5mm	TPU	GRAY
DOCUMENT STATUS	P1	RELEASE DATE	2023/04/27	12:11:50

FUNCTIONAL SYMBOLS $\nabla/A = 0$ $\nabla/E = 0$ $\nabla/P = 0$	THIS DRAWING CONTAINS INFORMATION THAT IS PROPRIETARY TO MOLEX ELECTRONIC TECHNOLOGIES, LLC AND SHOULD NOT BE USED WITHOUT WRITTEN PERMISSION	CURRENT REV DESC: NOTES UPDATED, LABEL PRINTING ADDED					
	DIMENSION UNITS	SCALE	EC NO: 747270				
	mm	1:1	DRWN: RSCHIEBER 2023/04/20		CSE MC 5P A-SIZE FE RA XM PUR SE		
	GENERAL TOLERANCES (UNLESS SPECIFIED)		CHK'D: RSILLER 2023/04/27		PRODUCT CUSTOMER DRAWING		
ANGULAR TOL $\pm 1.0^\circ$		APPR: RSILLER 2023/04/27		DOCUMENT NUMBER			
4 PLACES \pm		INITIAL REVISION:		SD-130006-051			
3 PLACES \pm		DRWN: RSTONE 2013/12/09		DOC TYPE			
2 PLACES ± 0.05		APPR: JFMURPHY 2013/12/16		PSD			
1 PLACE ± 0.3		MATERIAL NUMBER		001			
0 PLACES ± 0.5		CUSTOMER		A4			
DRAFT WHERE APPLICABLE MUST REMAIN WITHIN DIMENSIONS		THIRD ANGLE PROJECTION	DRAWING	SERIES	SHEET NUMBER		
			A3-SIZE	130006	2 OF 2		