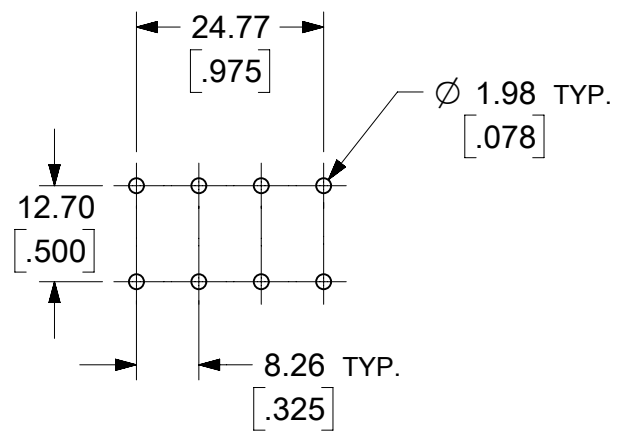
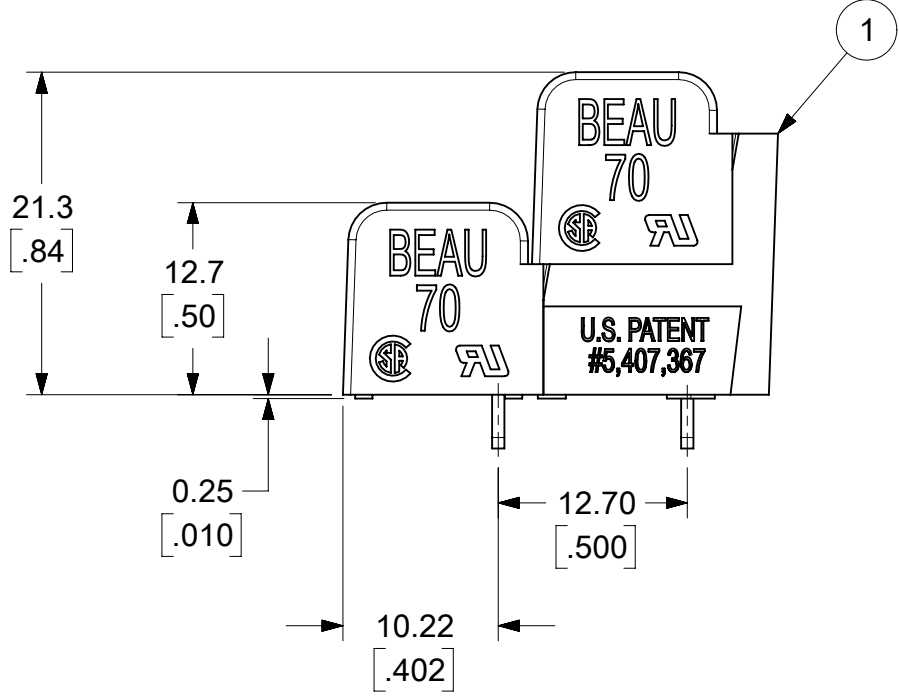
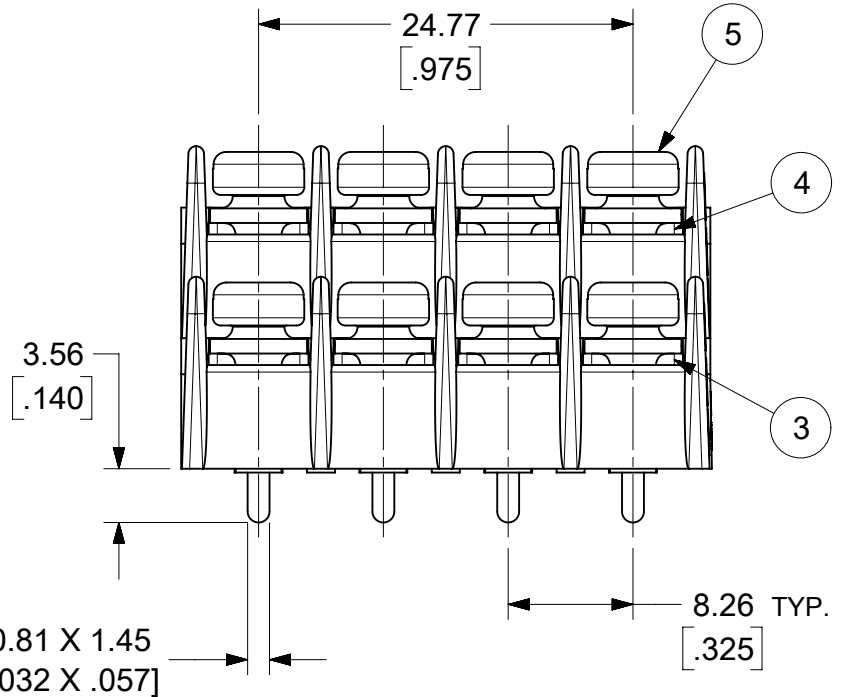


ISO. VIEW



RECOMMENDED PTH PATTERN
SCALE 1:1



- NOTES:
1. MATERIAL: SEE TABLE
2. FINISHES: SEE TABLE

TOLERANCES			
MM	TOL	INCH	TOL
0-6	±0.25	0-.24	±.010
>6-30	±0.40	.24-1.18	±.016
>30-120	±0.50	1.18-4.76	±.020
>120	±0.80	>4.76	±.031

ITEM	QTY.	DESCRIPTION	MATERIAL	FINISH
5	8	SCREW M3.5X0.6 POSI-SLOT WITH CLAMP	STEEL	ZN, CLEAR CHROMATE
4	4	TERMINAL, WW, EXTRA LONG	BRASS	TIN PLATE
3	4	TERMINAL, PC	BRASS	TIN PLATE
2	2	INSULATOR, DOVE	POLYESTER (PBT)	BLACK
1	1	DOUBLE LEVEL BASE	POLYESTER (PBT)	BLACK

THIS DRAWING CONTAINS INFORMATION THAT IS PROPRIETARY TO MOLEX ELECTRONIC TECHNOLOGIES, LLC AND SHOULD NOT BE USED WITHOUT WRITTEN PERMISSION

FUNCTIONAL SYMBOLS
 $\nabla_A = 0$
 $\nabla_E = 0$
 $\nabla_F = 0$

DIVISIONAL SYMBOLS

MM/INCH SCALE 2:1

GENERAL TOLERANCES (UNLESS SPECIFIED)

	MM	INCH
4 PLACES	± .005	± .0002
3 PLACES	± .006	± .0003
2 PLACES	± .008	± .0004
1 PLACE	± .010	± .0005
0 PLACES	± .015	± .0008

ANGULAR TOL ± .005

DRAFT WHERE APPLICABLE MUST REMAIN WITHIN DIMENSIONS

THIRD ANGLE PROJECTION

DRAWING B-SIZE

SERIES 38709

MATERIAL NUMBER 387098328

CUSTOMER GENERAL MARKET

SHEET NUMBER 1 OF 1

EC NO: 700513
 DRWN: ABENJAMINLW 2022/03/22
 CHKD: DACHAMMER 2022/03/22
 APPR: JFMURPHY 2022/03/23

INITIAL REVISION:
 DRWN: ABENJAMINLW 2022/03/22
 APPR: JFMURPHY 2022/03/23

CURRENT REV DESC: NEW RELEASE

molex

8.25 (.325"), DUAL LEVEL BARRIER STRIP WITH M3.5 CLAMPING SCREWS

PRODUCT CUSTOMER DRAWING

DOCUMENT NUMBER 387098328

DOC TYPE PSD

DOC PART 000

REVISION A