

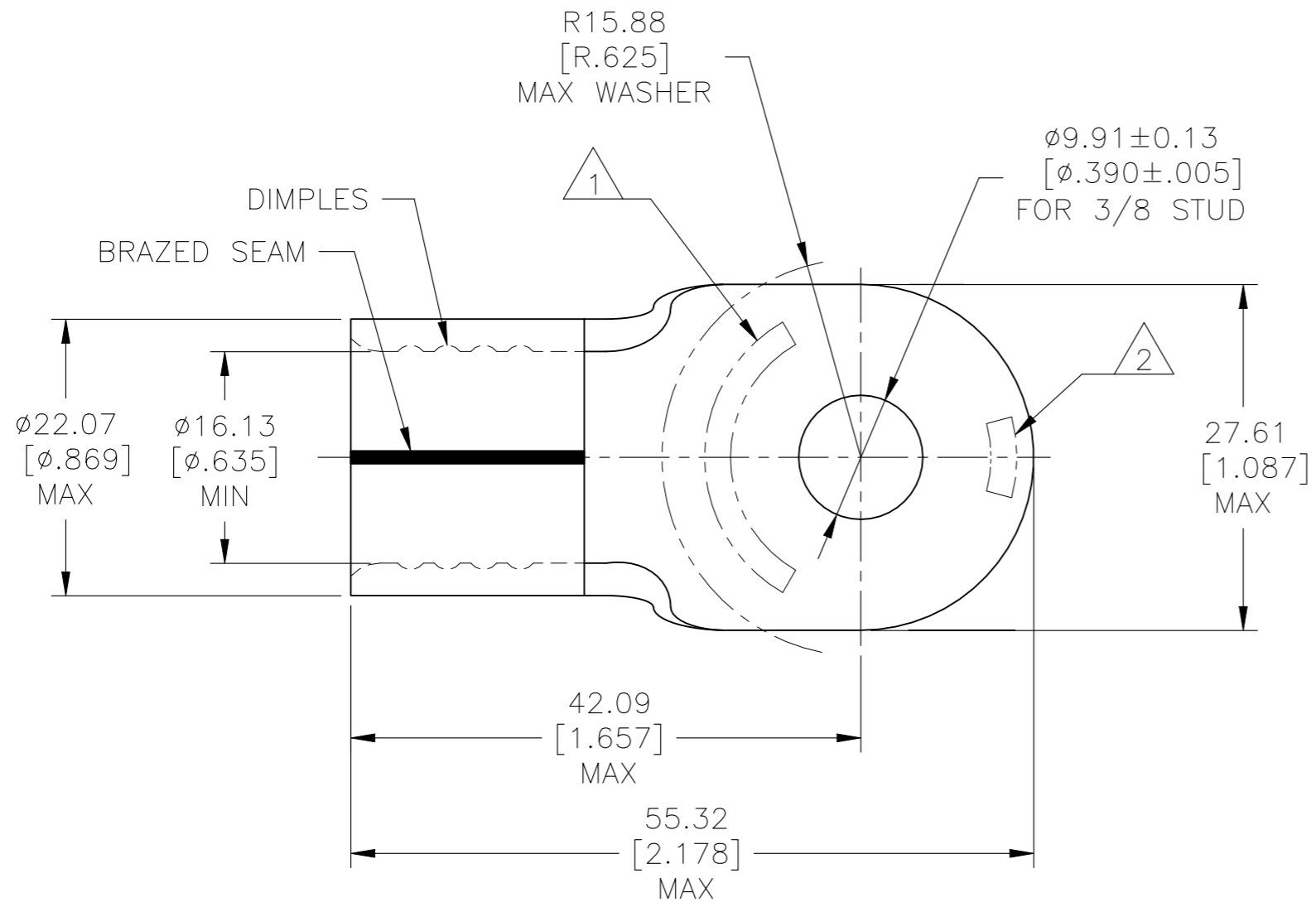


© - TE Connectivity. All Rights Reserved.

REVISIONS				
P	LTR	DESCRIPTION	DATE	APVD
	H4	REVISED PER ECN-22-150900	27APR2022	RK CSD

AMP WIRE RANGE	 E13288 Listed
4/0 AWG SOLID OR STRANDED	4/0 AWG SOLID OR STRANDED

 LR7189 Certified
4/0 AWG SOLID OR STRANDED



- 1 STAMP AMP 4/0W* APPROX AS SHOWN.
- 2 STAMP AMP 200 APPROX AS SHOWN.
- 3 MATERIAL THK: 2.59±0.08 [0.102±0.003].
- 4 TIN PLATE 0.00254[0.000100] MIN
EXT. THK PER ASTM B545.
- 5 NICKEL PLATE 0.00762[0.000300] MIN
EXT THK PER SAE AMS QQ-N-290.
- 6 PART IS NOT UL LISTED OR CSA CERTIFIED
OR MILITARY QUALIFIED.

343°C [650°F]	50	LOOSE PIECE	321878-1
170°C [338°F]			321878
RECOMMENDED OPERATING TEMP.	QTY.	PACKAGE TYPE	PART NUMBER

**AMP INCORPORATED
CUSTOMER SERVICE SYSTEMS**

FOR ADDITIONAL
PRODUCT INFORMATION OR
COPIES OF DRAWINGS
AND TECHNICAL DOCUMENTS

PRODUCT INFORMATION CENTER
1-800-522-6752

FOR APPLICATION
TOOLING INFORMATION

TOOLING ASSISTANCE CENTER
1-800-722-1111

FOR ORDER ENTRY

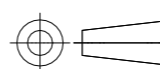

1-800-526-5142

MAX RECOMMENDED OPERATING
TEMPERATURE:
SEE TABLE


VOLTAGE RATING:
NOT APPLICABLE

WIRE CROSS SECTIONAL AREA RANGE:
96.3-117.0mm²[190,000-231,100] CIR MILS
SOLID OR STRANDED

THIS DRAWING IS A CONTROLLED DOCUMENT.

DIMENSIONS: mm [INCHES]	TOLERANCES UNLESS OTHERWISE SPECIFIED:
	0 PLC ± -
	1 PLC ± -
	2 PLC ± 0.20[.008]
	3 PLC ± -
	4 PLC ± -
	ANGLES ± -
MATERIAL COPPER PER ASTM B-152 ANNEALED	FINISH 

DWN DK SCHRUM	5/25/93
CHK RD HEIM	1/27/94
APVD RE ROSER	1/27/94
PRODUCT SPEC	NAME
APPLICATION SPEC	SIZE
WEIGHT	CAGE CODE
CUSTOMER DRAWING	DRAWING NO

 TE Connectivity			
TERMINAL, RING TONGUE, SOLISTRAND, STRATO-THERM, 4/0 AWG			
A3	00779	C-321878	RESTRICTED TO
SCALE	SHEET	REV	
2:1	1 OF 1	H4	