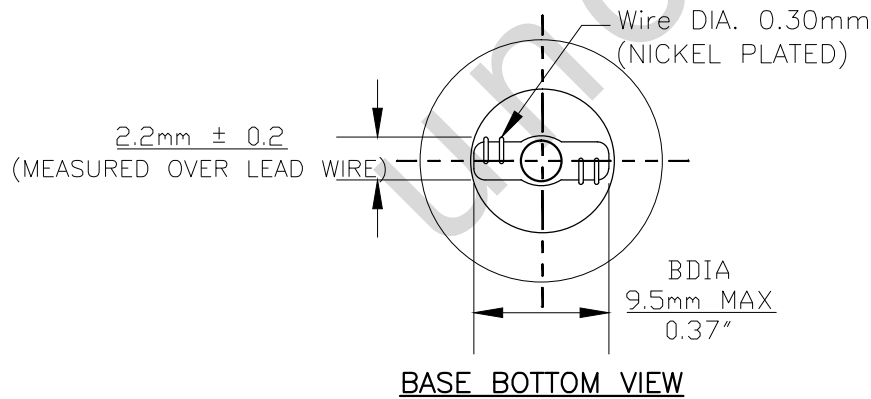
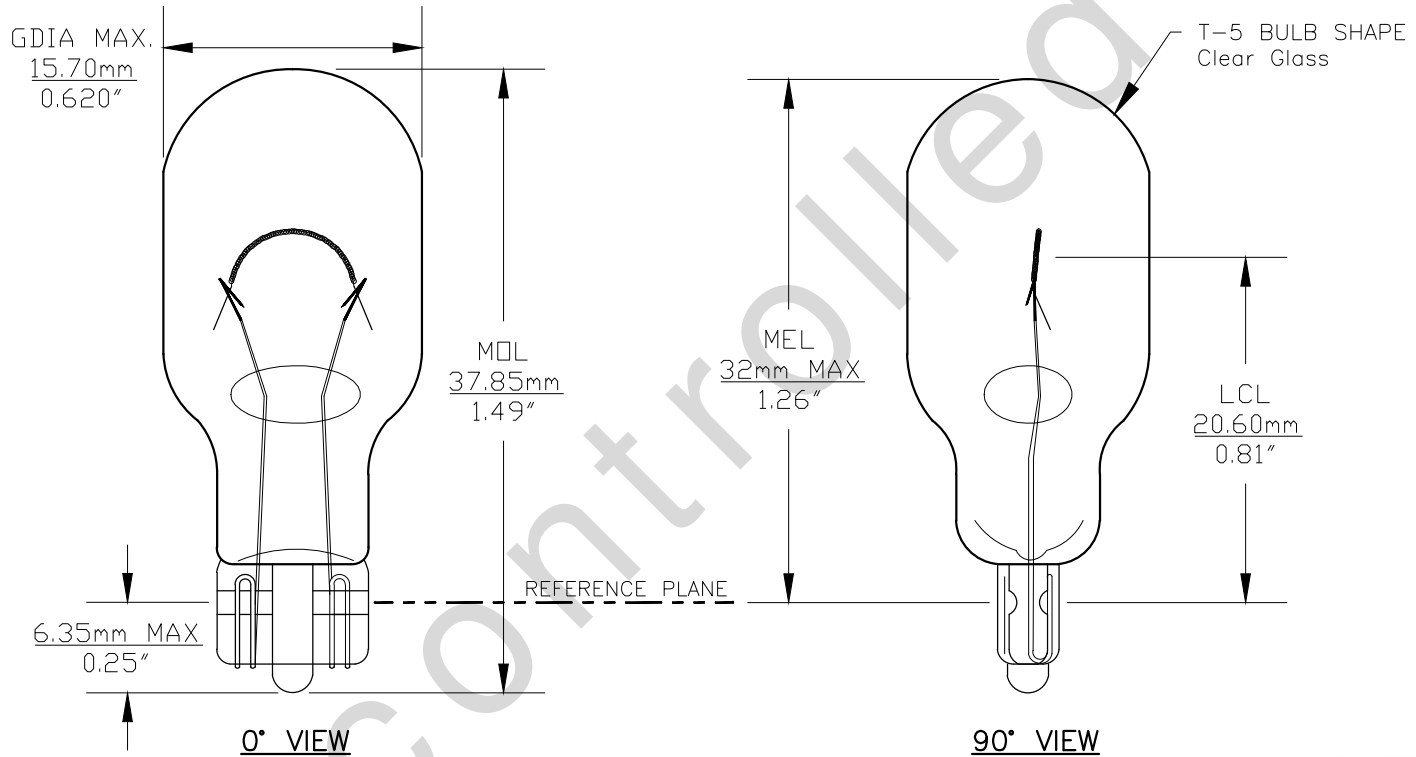




PART NO.	BASE TYPE	DESIGN VOLTS	DESIGN AMPS	MSCD	FILAMENT TYPE	AVERAGE LIFE HOURS	REVISIONS			
							REV #	DESCRIPTION	DATE	APPROVED
921LL	Glass Wedge (T-5)	13.5V	1.44±10%	24.7±20%	C-2R	1000	1	ISSUED	03/08/2014	S.L.
							2	REDRAWN	06/26/2014	R.M.



Note: Made according to SAE specifications



UNLESS OTHERWISE SPECIFIED: DIMENSIONS ARE IN INCHES TOLERANCES		CEC INDUSTRIES LTD	
DECIMALS	ANGULAR	599 BOND STREET LINCOLNSHIRE, IL 60069	
.XX ± .05	± 0.5°		
.XXX ± .010			
FRACTIONAL	± 1/64		
DRAWN SIDNEY LIU	DATE 03/08/2014	TITLE LIGHT BULB NO. 921LL	
CHECKED	SIZE A	FSCM NO.	DWG NO. 921LL
DESIGN	SCALE	PLOT SCALE	SHEET 1 OF 1
MATERIAL	FILE 921LL.pdf	DRAWING NOT TO SCALE	