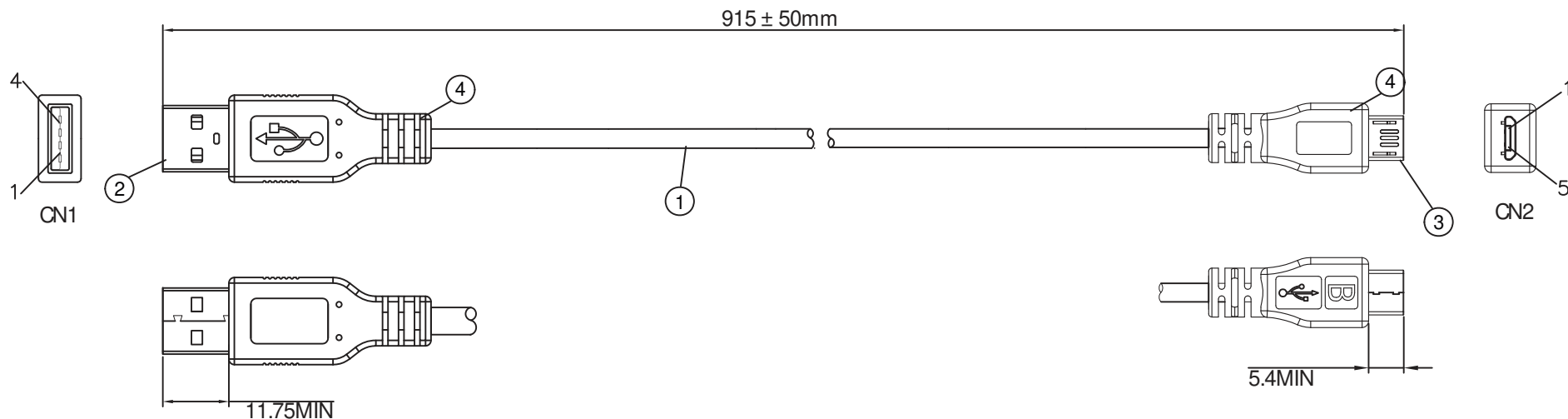
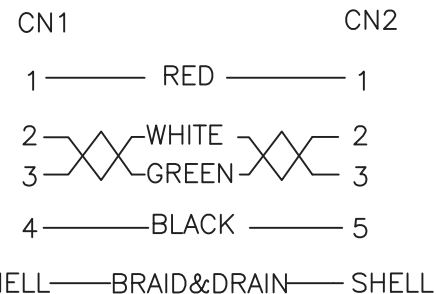


THESE DRAWINGS ARE THE PROPERTY OF QUALTEK ELECTRONICS AND NOT TO BE REPRODUCED FOR OR COMMUNICATED TO A THIRD PARTY WITHOUT THE EXPRESS WRITTEN PERMISSION OF AN OFFICER OF QUALTEK ELECTRONICS.

REVISION			
REV.	DESCRIPTION	DATE	APPROVED
B	Updated Tolerance	05-08-19	LY



CONNECTION



NOTES:

1. CABLE: UL2725
28AWG*1PR+28AWG*2C+AEB(AL) 65%
OUTER JACKET: WHITE, OD: 4.0 ± 0.2mm
2. CONNECTOR: USB A TYPE MALE
INSULATOR: WHITE PBT
PIN G/F
NICKEL PLATED SHELL
3. CONNECTOR: MICRO USB B TYPE MALE
INSULATOR: BLACK
PIN G/F
NICKEL PLATED SHELL
4. PVC MOLDED: 45P WHITE
5. ELECTRICAL TEST:
<1>.100% OPEN SHORT & MISS WIRE TEST
<2>.INSULATION RESISTANCE: DC300V 10M ohm MIN.
<3>.CONDUCTOR RESISTANCE: 2 ohm MAX.

CONTROLLED

Dim range (mm)	Tolerance +/- (mm)	Qualtek Electronics Corp. WCI DIVISION		
		Part Number: 3025010-03	RoHS Compliant	
0-1	0.15	Description: USB 4P(A)/M - MICRO USB 5P(B)/M		
1-6	0.20	RFQ# 2505D	UNIT: mm	REV. B
6-18	0.30		Drawn / Date	Checked / Date
18-50	0.50	R Nuti 06-13-13	06-13-13	LY / 06-13-13
50-120	0.70			
120-250	0.90			
250-500	1.20			