

4

3

2

1

THIS DRAWING IS UNPUBLISHED.

RELEASED FOR PUBLICATION

20

© COPYRIGHT 20

BY TYCO ELECTRONICS CORPORATION. ALL RIGHTS RESERVED.

LOC

DIST

REVISIONS

F

00

P

LTR

DESCRIPTION

DATE

DWN

APVD

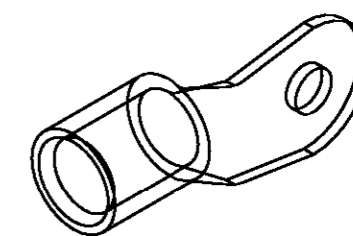
C

P/N REACTIVATED

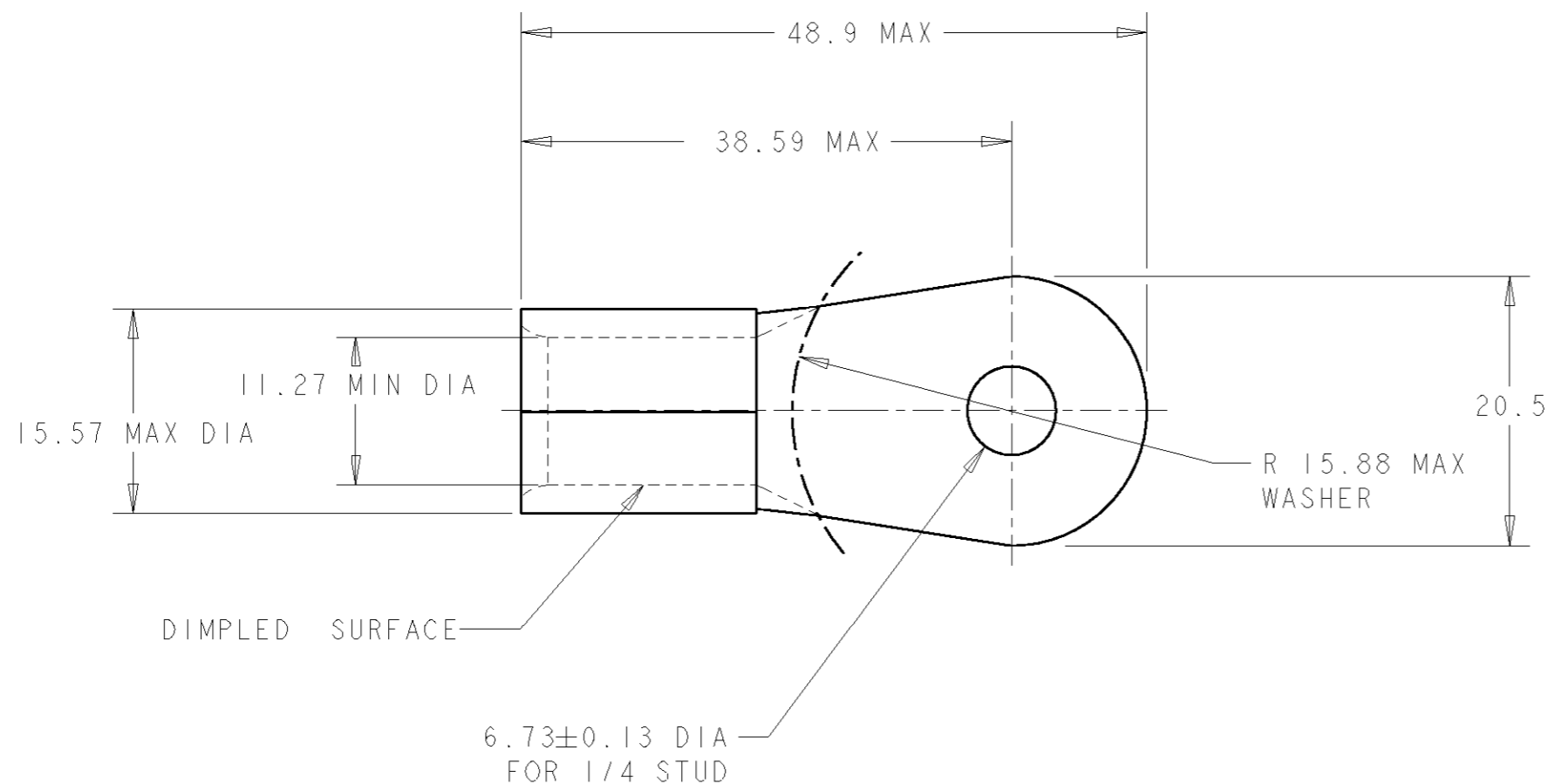
03OCT2003

JJD

-

TONGUE MATERIAL THICKNESS  $1.78 \pm 0.08$  mm

SCALE 1:1



PART NUMBER : 323179-0

THIS DRAWING IS A CONTROLLED DOCUMENT FOR TYCO ELECTRONICS CORPORATION IT IS SUBJECT TO CHANGE AND THE CONTROLLING ENGINEERING ORGANIZATION SHOULD BE CONTACTED FOR THE LATEST REVISION.		DWN JJ. DESPRETZ	03OCT2003			TYCO ELECTRONICS France SAS BP 39, 95301 CERGY-PONTOISE Cedex				
DIMENSIONS: mm		CHK G-ROBERT	-			NAME WIRE TERMINAL, SOLISTRAND STRATO-THERM, RING TONGUE WIRE SIZE : 1/0				
TOLERANCES UNLESS OTHERWISE SPECIFIED:		APVD Y-PETRONIN	-		PRODUCT SPEC -					
0 PLC ±- 1 PLC ±0.5 2 PLC ±0.13 3 PLC ±0.013 4 PLC ±0.0001 ANGLES ±-		APPLICATION SPEC -		SIZE A3		CAGE CODE 00779	DRAWING NO C-323179	RESTRICTED TO -		
MATERIAL COPPER (QQ-C-576)		FINISH NICKEL PL (QQ-N-290)		WEIGHT -		SCALE 2:1		SHEET 1	OF 1	REV C