

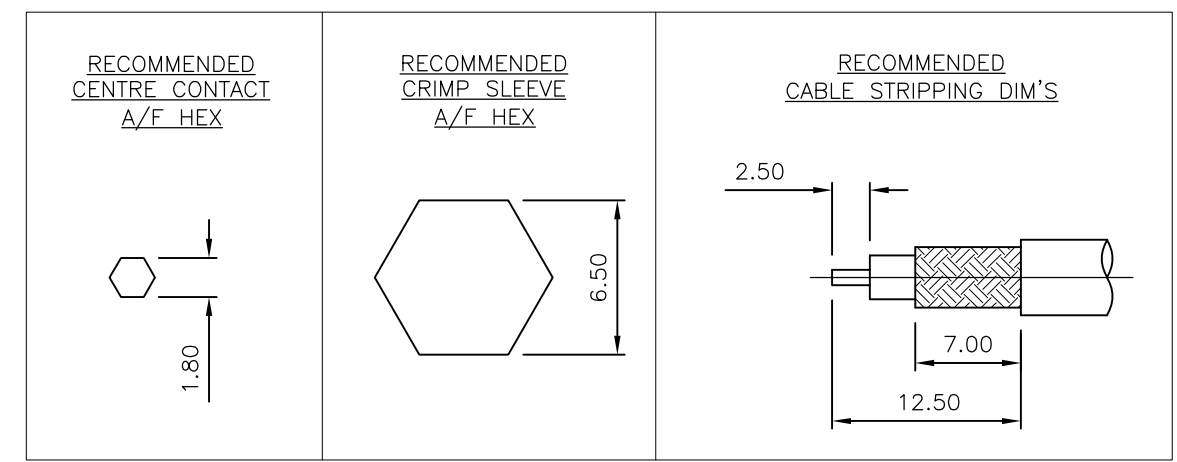
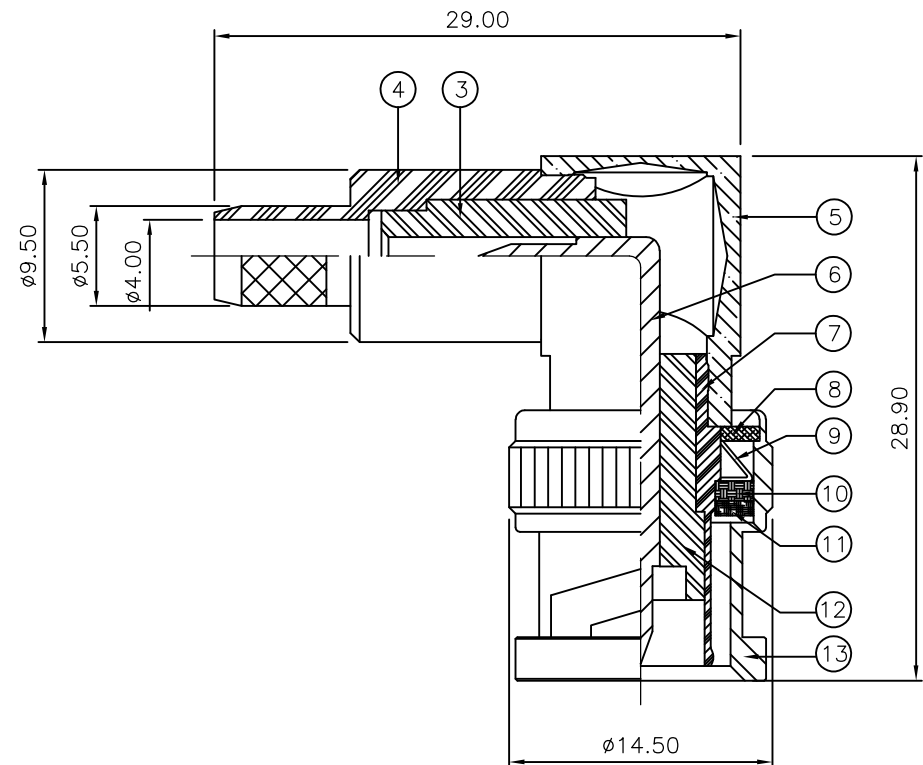
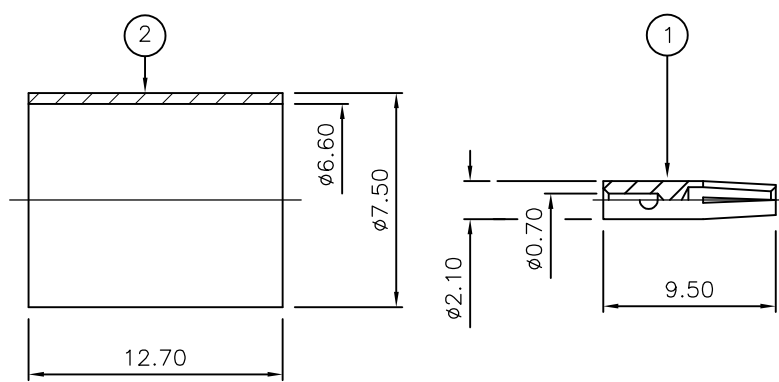
THIS DRAWING IS UNPUBLISHED. RELEASED FOR PUBLICATION JAN ,2006.

© COPYRIGHT 2006 BY TYCO ELECTRONICS CORPORATION. ALL RIGHTS RESERVED.

LOC	DIST	REVISIONS					
E	B	P	LTR	DESCRIPTION	DATE	DWN	APVD
		D		ECO-09-016840	10AUG2009	AM	BOB

NOTES:

- 1 PACK IN ACCORDANCE WITH AMP SPEC 107-3275
- 2 100 TRAY PACK IN ACCORDANCE WITH AMP SPEC 107-3275
- 3 Au PLATING
- 4 Ni PLATING
- 5 THIS ITEM MUST BE WHITE
- 6 HAND TOOL : 9-1478240-0
- 7 DIE SET : 9-1478242-0
- 8 ELECTRICAL CHARACTERISTICS
 FREQUENCY RANGE: DC - 2 GHz
 NOMINAL IMPEDANCE: 75 Ohm
 INSULATION RESISTANCE: 5000 MOhm
 WORKING VOLTAGE: 500 Volts RMS at Sea Level
 DIELECTRIC WITHSTAND VOLTAGE: 1500 Volts RMS Max
 CONTACT RESISTANCE:
 CENTRE CONTACT: 1.50 mOhm Max
 OUTER CONTACT: 0.20 mOhm Max
 VSWR @ 2GHz: 1.25:1 Max
 INSERTION LOSS dB @ x 2 GHz: 0.30 Max
- 9 MECHANICAL CHARACTERISTICS
 COUPLING RETENTION FORCE: 445N Min
 CABLE RETENTION FORCE: 170N Min
 DURABILITY: 500 Cycles Min
- 10 ENVIRONMENTAL CHARACTERISTICS
 OPERATING TEMPERATURE: -65 to +165 DegC



OBSOLETE

QTY	QTY PER ASSY	MATERIAL	DESCRIPTION	ITEM
1		BRASS	SHELL	13
1		PTFE	INSULATION	12
1		SILICONE RUBBER	GASKET	11
1		BRASS	RETAINING RING	10
1		SPRING STEEL	SPRING	9
1		BRASS	WASHER	8
1		BRASS	BODY II	7
1		BRASS	CONTACT II	6
1		BRASS	BODY I	5
1		BRASS	CHASSIS	4
1		PTFE	INSULATION	3
1		BRASS	FERRULE	2
1		BRASS	CONTACT I	1
6	1	MATERIAL	DESCRIPTION	ITEM

THIS DRAWING IS A CONTROLLED DOCUMENT.		DWN J.SANDWELL 25JAN06	Tyco Electronics Corporation Kunshan, Jiangsu, RPC 215321	
DIMENSIONS: mm		CHK S.PARLOW 25JAN06		
TOLERANCES UNLESS OTHERWISE SPECIFIED:		APVD F.WHEELER-KING 25JAN06	NAME	
0 PLC ± -		PRODUCT SPEC	BNC ELBOW PLUG CRIMP 75 OHM	
1 PLC ± -		APPLICATION SPEC	RG59B/U, 62A/U, 140/U, 210/U, URM90,	
2 PLC ± -		411-3247	SIZE	CAGE CODE
3 PLC ± -		WEIGHT -	A3	00779
4 PLC ± -		CUSTOMER DRAWING	DRAWING NO C-1337525	
ANGLES ± -		SCALE NTS	SHEET 1 OF 1	REV D
FINISH -		RESTRICTED TO -		