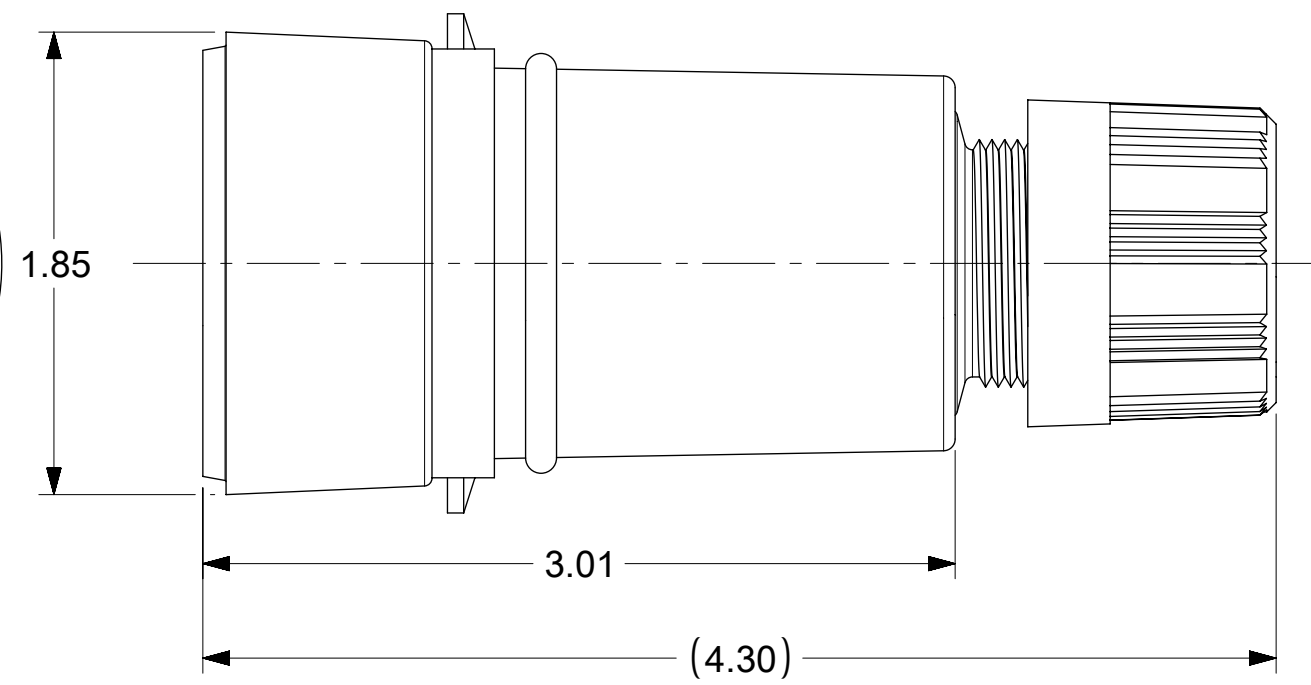
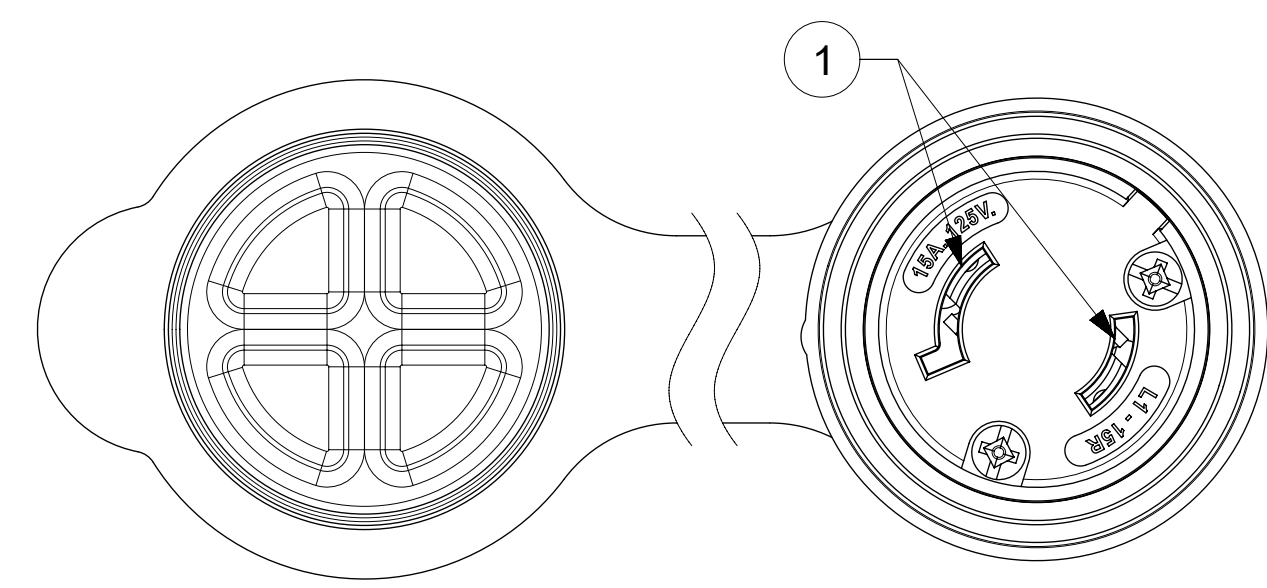
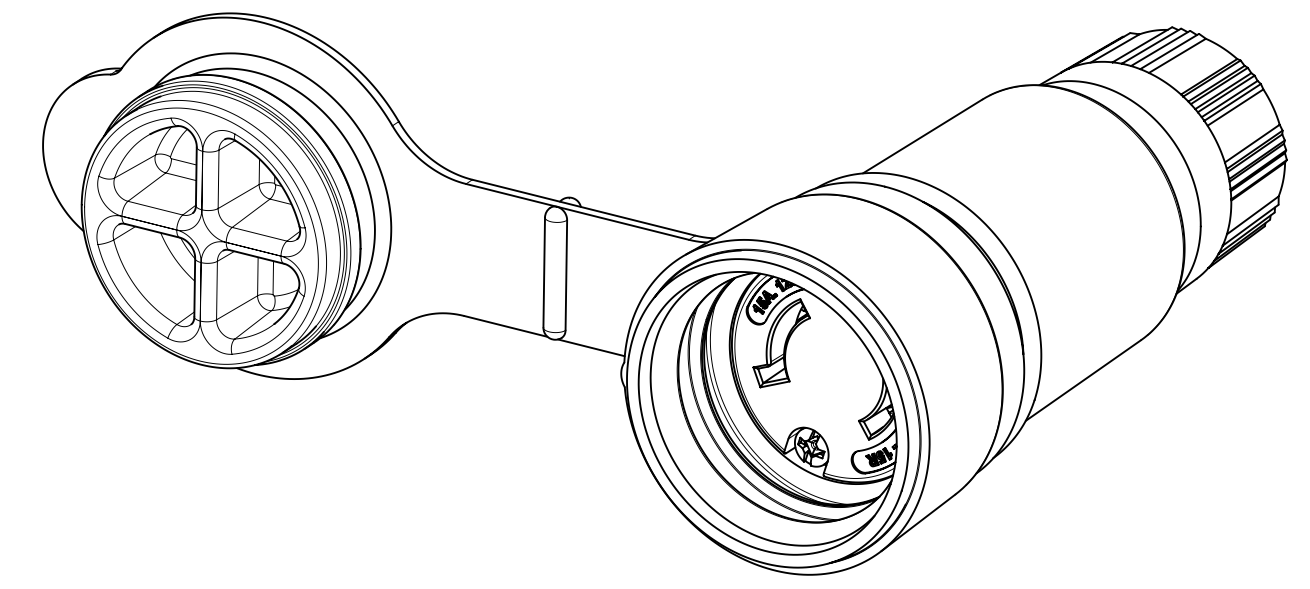
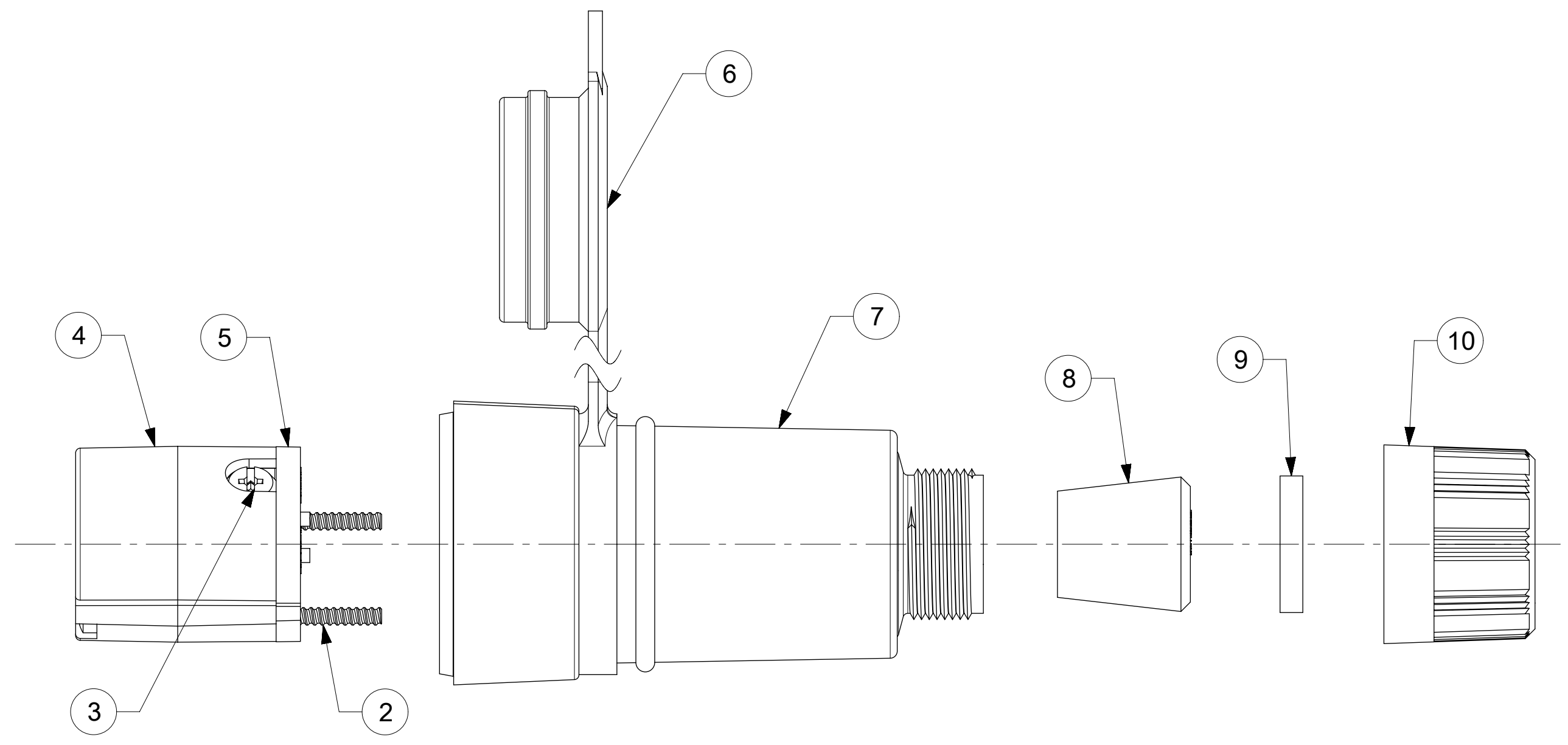


ORDER NO.	WOODHEAD NO.	COLOR
130146-0212	25W04-P	YELLOW



ITEM NO.	DESCRIPTIONS	MATERIAL	QTY.
1	BLADES	BRASS	2
2	RETAINING SCREWS	STAINLESS STEEL	2
3	TERMINAL SCREWS	BRASS, ZINC PLATED	2
4	INSERT	NYLON	1
5	TERMINAL COVER	POLYCARBONATE	1
6	FLIP COVER	SILICON	1
7	HOUSING	RUBBER WITH NYLON THREAD	1
8	GROMMETS	RUBBER	5
9	FRICTION RING	NYLON	1
10	COMPRESSION NUT	NYLON	1

NOTES:
 1. SEE INSTRUCTION SHEET NUMBER 1301414770 FOR PRODUCT SPECIFICATION.
 2. CABLE RANGE FROM 0.375" TO 0.625"

SYMBOLS		THIS DRAWING CONTAINS INFORMATION THAT IS PROPRIETARY TO MOLEX ELECTRONIC TECHNOLOGIES, LLC AND SHOULD NOT BE USED WITHOUT WRITTEN PERMISSION		CURRENT REV DESC: RELEASED		molex		
▽ = 0	INCH	NTS	GENERAL TOLERANCES (UNLESS SPECIFIED)		EC NO: 614930			
▽ = 0	ANGULAR TOL ± 0.5°		4 PLACES ±		DRWN: VASUTHKARP 2019/04/04		WATERTITE CONNECTOR, L1-15R	
▽ = 0	3 PLACES ± 0.005		2 PLACES ± 0.01		CHK'D: DNGUYEN62 2019/04/04		PRODUCT CUSTOMER DRAWING	
▽ = 0	2 PLACES ± 0.02		1 PLACE ± 0.02		APPR: HKNEELAND 2019/04/04		DOCUMENT NUMBER	
□ = 0	DRAFT WHERE APPLICABLE MUST REMAIN WITHIN DIMENSIONS		THIRD ANGLE PROJECTION		INITIAL REVISION:		DOC TYPE DOC PART REVISION	
▽ = 0	DRAFT WHERE APPLICABLE MUST REMAIN WITHIN DIMENSIONS		DRAWING		DRWN: ABABU01 2018/11/27		1301460212	
SERIES		MATERIAL NUMBER		CUSTOMER		SHEET NUMBER		
C-SIZE		SEE TABLE		GENERAL MARKET		1 OF 1		
130146								