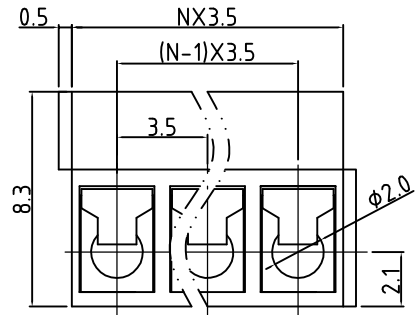
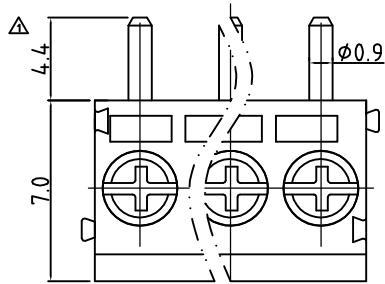
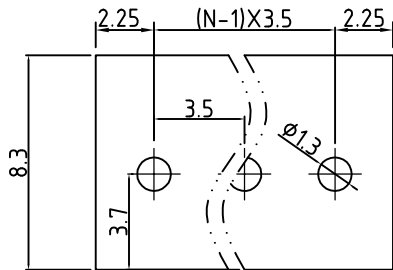


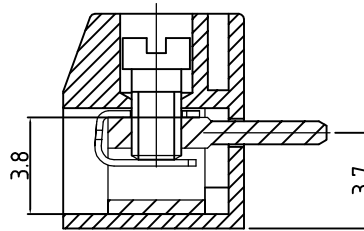
Transfer or duplication of this document as well as the utilisation or communication of its content are not permitted unless express consent is granted. Violations give rise to claims for damages. All rights reserved in case of patent, utility model or design patent registrations.



N=Number of contacts



P.C.B. LAYOUT



**Technical Data:**

**Electrical**

Pitch: 3.5mm  
 Voltage rating: 150V  
 Current rating: 10 Amps  
 Contact resistance: 20mΩ(max)  
 Withstanding Voltage: 2500VAC(1min) Test time=60sec/1pcs  
 Wire range: 16-30AWG  
 Wire strip length: 5-6mm

**Mechanical:**

Torque: 2.0kgf.cm/M2  
 Operating temperature: -40°C to +105°C  
 Soldering temperature:  
 Temperature= 250°C±10°C /5 seconds max  
 Safety approval:   
 RoHS Compliance

Part No.:

**OSTTFXX0161**

No. of Poles  
 02 2 Poles  
 03 3 Poles  
 ... ..  
 24 24 Poles

COLOR  
 0: Black  
 2: Red  
 3: Orange  
 4: Yellow  
 5: Green  
 6: Blue (Standard)  
 8: Grey

Nonstandard colors  
 Mins could apply

4	Screw	Steel / M2.0	Cr3+ plated	1xN	
3	Wire guard	Stainless steel		1xN	
2	Terminal	Copper Alloy	Tin plated	1xN	
1	Body	PA66 UL94V-0		1	
ITEM	NAME OF PART	MATERIAL	NOTES	Q"TY	
DWG.	DATE	UNITS:	MM	SHEET: 1 OF 1	Tolerance
CHK.	DATE	SCALE:	NONE 5:1 ( : )	REV.: A	X. ±0.50
APP.	DATE	TITLE:	OSTTF SERIES 3.5MM		X.XX ±0.30
		PART NO.	OSTTFXX0161		X* ±0.10
		DWG NO.	OSTTFXX0161.DWG		X* ±1°

20.04.08		Updated pin length			
REV	SIGN	DESCRIPTION	CHK.	DATE	



ON-SHORE TECHNOLOGY, INC.