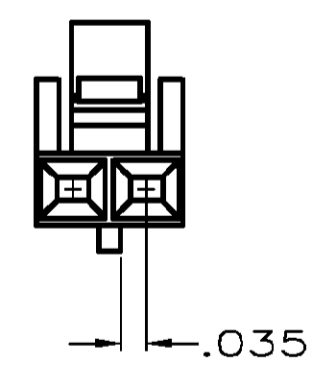
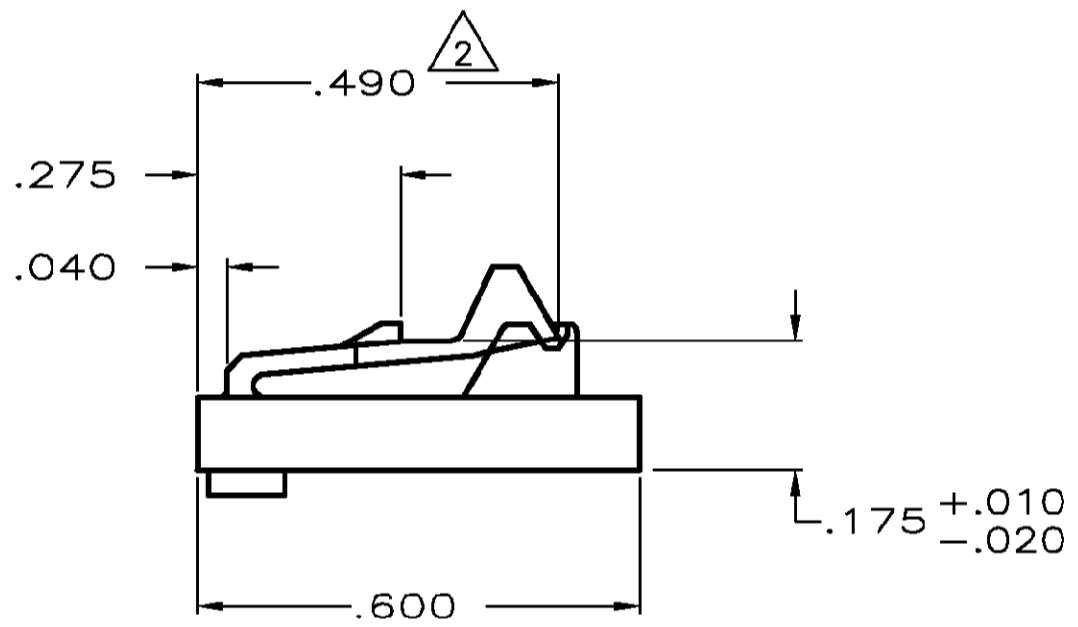
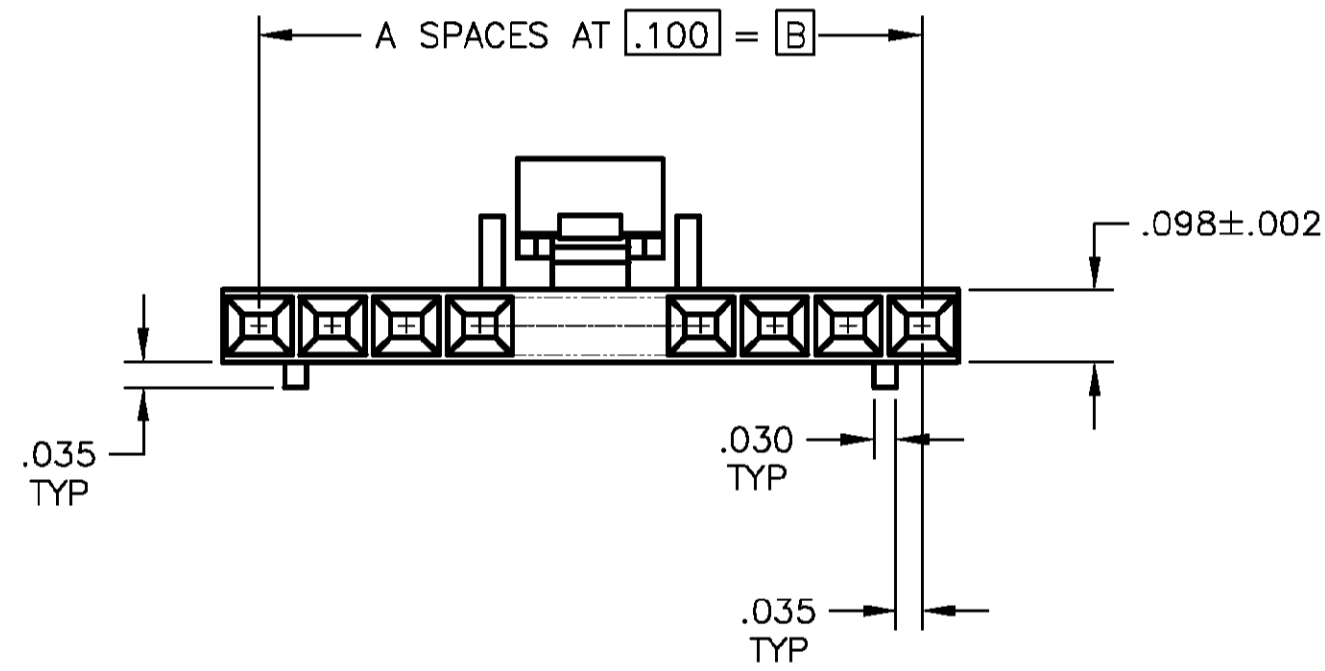
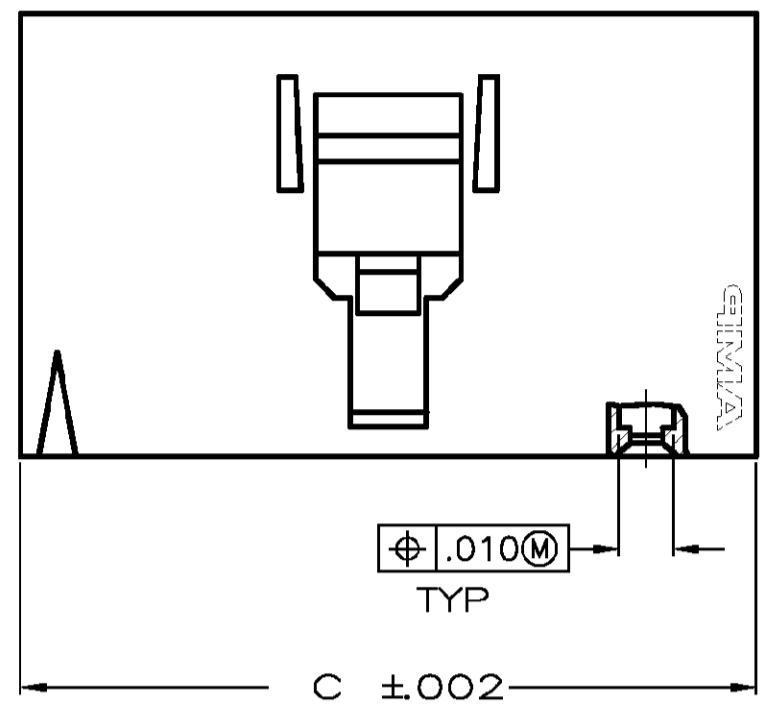


THIS DRAWING IS UNPUBLISHED. RELEASED FOR PUBLICATION
 © COPYRIGHT BY TYCO ELECTRONICS CORPORATION. ALL RIGHTS RESERVED.

| LOC | DIST | REVISIONS | | | |
|-----|------|-------------|-------------------------|---------|-------|
| P | LTR | DESCRIPTION | DATE | DWN | APVD |
| AD | 39 | B | REV PER EC 0G3C-0174-02 | 18JUL02 | MB JG |



DETAIL FOR -5 ONLY
(2 POSITION)

- 1 THERMOPLASTIC, FLAME RETARDANT, COLOR SEE TABLE
- 2 THIS DIMENSION .480 FOR 2 POSITION ONLY.
- 2 PRELIMINARY PART - NOT RELEASED FOR PRODUCTION.

| | | | | | | |
|---|------|------|---|------------|--------|-------------|
| 1 | .198 | .100 | 1 | 2 | BEIGE | 147047-6 |
| 2 | .198 | .100 | 1 | 2 | YELLOW | 147047-5 |
| 3 | .398 | .300 | 3 | 4 | YELLOW | 147047-4 |
| | .398 | .300 | 3 | 4 | BLUE | 147047-3 |
| | .398 | .300 | 3 | 4 | GREEN | 147047-2 |
| | .398 | .300 | 3 | 4 | BEIGE | 147047-1 |
| | C | B | A | NO OF POSN | COLOR | PART NUMBER |

| | | | | |
|--|--|-------------------------------|--|--------------------|
| THIS DRAWING IS A CONTROLLED DOCUMENT. | | DWN G.VINSON 25SEP2001 | AMP Tyco Electronics Corporation Harrisburg, PA 17105 | |
| DIMENSIONS: INCHES | TOLERANCES UNLESS OTHERWISE SPECIFIED: | CHK J.GESFORD 20 MAR 98 | NAME J.GESFORD 20 MAR 98 | |
| | 0 PLC ± - | PRODUCT SPEC 108-25034 | | RESTRICTED TO - |
| | 1 PLC ± - | APPLICATION SPEC 114-25026 | | |
| MATERIAL 1 | FINISH - | WEIGHT - | SIZE A2 | CAGE CODE 00779 |
| CUSTOMER DRAWING | | | DRAWING NO 147047 | SCALE 4:1 |
| | | | SHEET 1 OF 1 | REV B |

147047