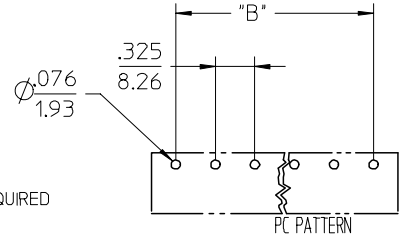
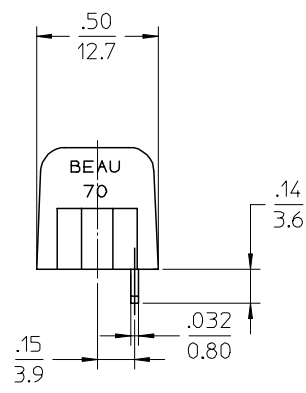
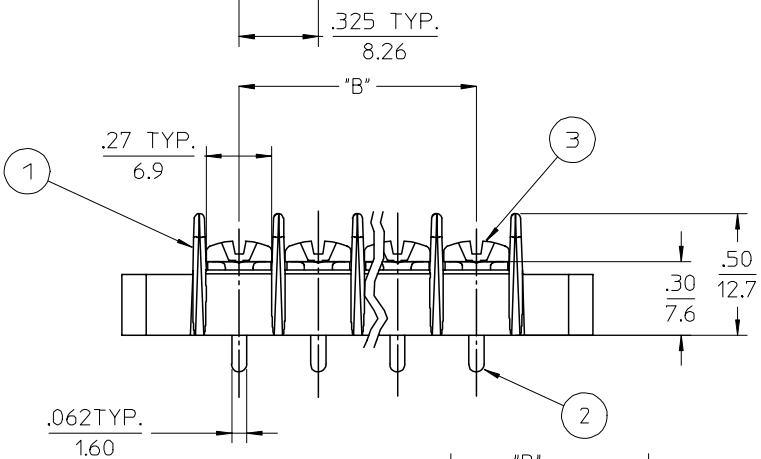
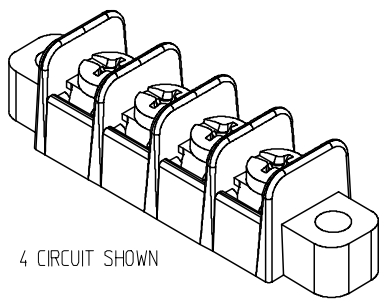
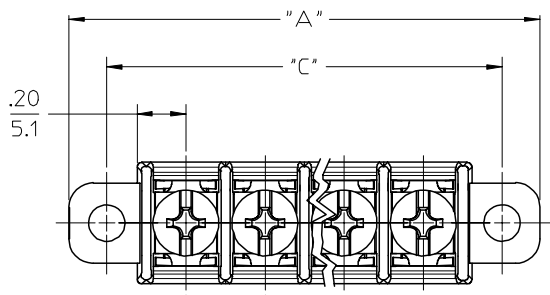


NUMBER OF CIRCUITS "XX"	DIM "A"	DIM "B"	DIM "C"	MATERIAL NUMBER (STD)	MATERIAL NO. FOR BARRIER
02	32.7 [1.29]	8.26 [.325]	24.78 [.976]	387006702	387080002
03	40.9 [1.61]	16.52 [.650]	33.04 [1.301]	387006703	387080003
04	49.2 [1.94]	24.78 (.976)	41.30 [1.626]	387006704	387080004
05	57.4 [2.26]	33.04 (1.301)	49.56 [1.951]	387006705	387080005
07	74.0 [2.91]	49.56 (1.951)	66.08 [2.602]	387006707	387080007
10	98.7 [3.89]	74.34 (2.927)	90.86 [3.577]	387006710	387080010
12	115.3 [4.54]	90.86 (3.577)	107.38 [4.228]	387006712	387080012
13	123.5 [4.86]	99.12 (3.902)	115.64 [4.553]	387006713	387080013
15	140.0 [5.51]	115.64 (4.553)	132.16 [5.203]	387006715	387080015
20	181.3 [7.14]	156.94 (6.179)	173.46 [6.829]	387006720	387080020
30	263.9 [10.39]	239.54 [9.431]	256.06 [10.081]	387006730	387080030



- NOTES:
1. MATERIAL: SEE TABLE
 2. FINISHES: SEE TABLE
 3. PRODUCT SPECIFICATION: NOT REQUIRED
 4. PACKAGING: NOT REQUIRED
 5. MATES WITH: NONE
 6. "XX" REFERS TO THE NUMBER OF CIRCUITS

ITEM	QTY.	DESCRIPTION	MATERIAL	FINISH
3	"XX"	SCREW #6-32 PAN PHS/NI/ BRASS LUBE	BRASS	NICKEL
2	"XX"	TERMINAL	BRASS	TIN
1	1	BARRIER	THERMOPLASTIC	BLACK

EC NO: ETC2006-0088	2005/12/06	DRWN:ASAYDEH	2005/12/06	CHKD:	2005/12/06	APPR:RDEROSS	2005/12/07
DESCRIPTION	REV						

QUALITY SYMBOLS 	GENERAL TOLERANCES (UNLESS SPECIFIED)	
	mm	INCH
	4 PLACES ± ---	±.0002
	3 PLACES ± 0.005	±.005
	2 PLACES ± 0.13	±.01
	1 PLACE ± 0.25	± ---
ANGULAR ±1/2°		

DRAWN BY ASAYDEH		DATE 10/21/05
CHECKED BY RDEROSS		DATE
APPROVED BY		DATE

DIMENSION STYLE	SCALE	DESIGN UNITS	THIRD ANGLE PROJECTION
IN/MM	2:1	INCH	
TITLE: SINGLE ROW BARRIER TERMINAL STRIP ASSY PC TAIL			
MATERIAL NO. SEE CHART			SHEET NO. 1 OF 1
DOCUMENT NO. SD-38700-004			
DRAFT WHERE APPLICABLE MUST REMAIN WITHIN DIMENSIONS			
THIS DRAWING CONTAINS INFORMATION THAT IS PROPRIETARY TO MOLEX INCORPORATED AND SHOULD NOT BE USED WITHOUT WRITTEN PERMISSION			