

626035-2 ✓ ACTIVE

TE Internal #: 626035-2

Ring Terminals & Spade Terminals, Ring Tongue, 11 – 10 AWG

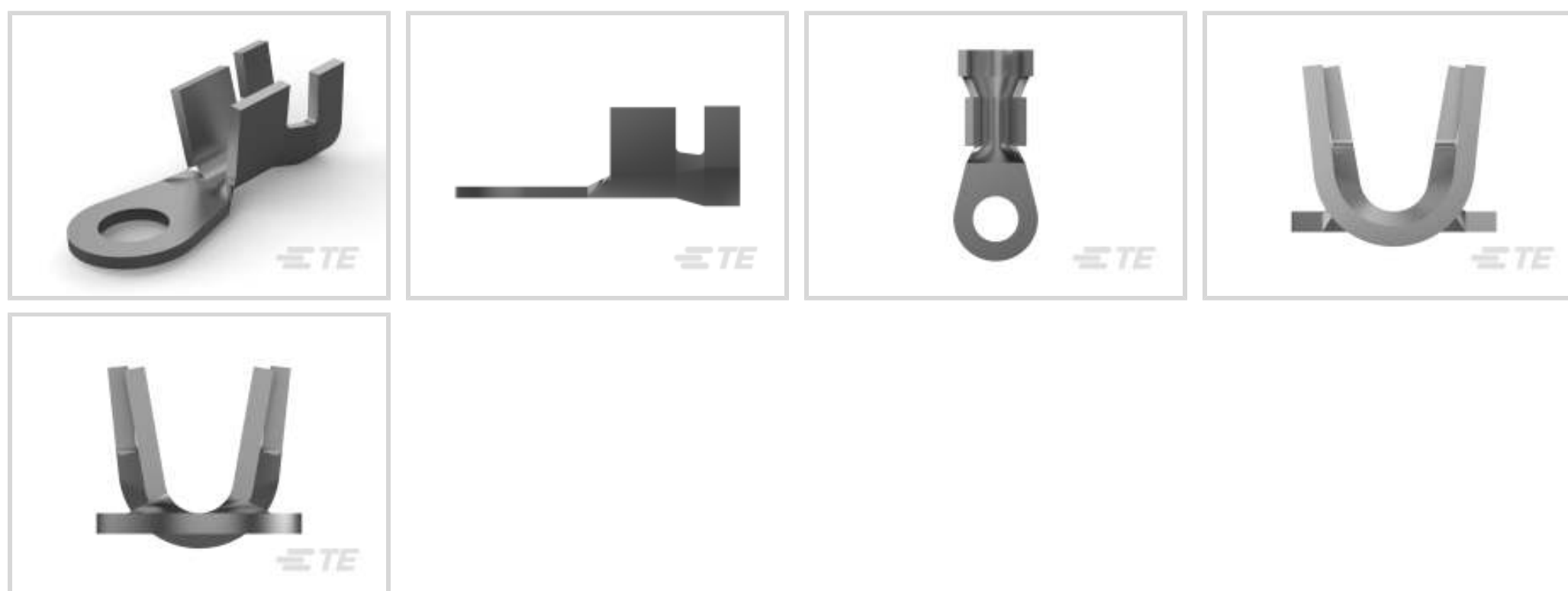
Wire Size, 4 – 6 mm² Wire Size, 8233 – 10382 CMA Wire Size, Stud

Size #8 / M4

[View on TE.com >](#)



Terminals & Splices > Ring Terminals & Spade Terminals



Ring & Spade Terminal Type: **Ring Tongue**

Wire Size: **8233 – 10382 CMA**

Stud Size: **#8, M4**

Features

Product Type Features

Terminal Features	Sheared
Shape Description	RING-001
Stud Size	#8, M4
Sealable	No
Compatible With Discrete Wire Type	Stranded
Wire Insulation Support Retention Type	Insulation Support

Configuration Features

Number of Holes	1
-----------------	---

Body Features

Product Weight	1.205 g
----------------	---------

Contact Features

Ring & Spade Terminal Type	Ring Tongue
Barrel Type	Open
Terminal Orientation	Straight
Terminal Plating Material	Tin

Mechanical Attachment



Wire Insulation Support	With
-------------------------	------

Dimensions

Wire Size	8233 – 10382 CMA
Stud Diameter	4.3 mm[.169 in]
Tongue Thickness	.8 mm[.031 in]
Product Length	19.8 mm[.779 in]
Barrel Inside Diameter	2.67 mm, 4.7 mm[.105 in][.185 in]
Compatible Insulation Diameter (Max)	5.31 mm[.209 in]
Compatible Insulation Diameter Range	3.2 – 5.3 mm[.15 – .209 in]

Usage Conditions

Insulation Option	Uninsulated
Operating Temperature Range	-40 – 105 °C[-40 – 221 °F]

Operation/Application

Compatible With Wire Base Material	Copper
------------------------------------	--------

Industry Standards

Government Qualified Terminal	No
-------------------------------	----

Packaging Features

Packaging Quantity	5000
Packaging Method	Strip/Reel

Other

Terminals & Splices Comment	Similar to DIN 46225.
-----------------------------	-----------------------

Product Compliance

[For compliance documentation, visit the product page on TE.com>](#)

EU RoHS Directive 2011/65/EU	Compliant
EU ELV Directive 2000/53/EC	Compliant
China RoHS 2 Directive MIIT Order No 32, 2016	No Restricted Materials Above Threshold
EU REACH Regulation (EC) No. 1907/2006	Current ECHA Candidate List: JUNE 2023 (235) Candidate List Declared Against: JAN 2023 (233) Does not contain REACH SVHC
Halogen Content	Low Halogen - Br, Cl, F, I < 900 ppm per homogenous material. Also BFR/CFR/PVC

Free

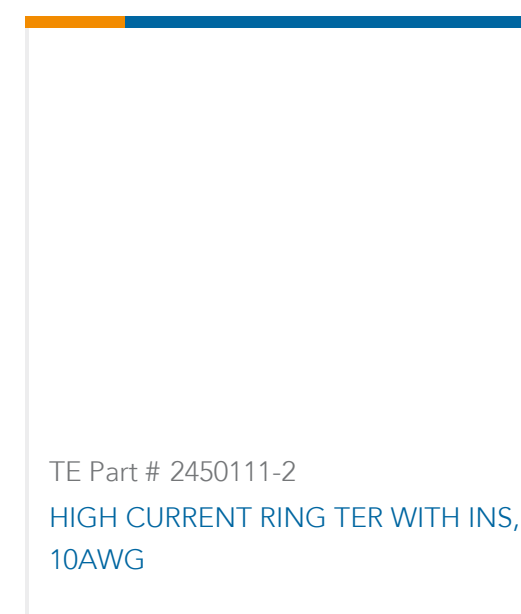
Solder Process Capability

Not applicable for solder process capability

Product Compliance Disclaimer

This information is provided based on reasonable inquiry of our suppliers and represents our current actual knowledge based on the information they provided. This information is subject to change. The part numbers that TE has identified as EU RoHS compliant have a maximum concentration of 0.1% by weight in homogenous materials for lead, hexavalent chromium, mercury, PBB, PBDE, DBP, BBP, DEHP, DIBP, and 0.01% for cadmium, or qualify for an exemption to these limits as defined in the Annexes of Directive 2011/65/EU (RoHS2). Finished electrical and electronic equipment products will be CE marked as required by Directive 2011/65/EU. Components may not be CE marked. Additionally, the part numbers that TE has identified as EU ELV compliant have a maximum concentration of 0.1% by weight in homogenous materials for lead, hexavalent chromium, and mercury, and 0.01% for cadmium, or qualify for an exemption to these limits as defined in the Annexes of Directive 2000/53/EC (ELV). Regarding the REACH Regulation, the information TE provides on SVHC in articles for this part number is based on the latest European Chemicals Agency (ECHA) 'Guidance on requirements for substances in articles' posted at this URL: <https://echa.europa.eu/guidance-documents/guidance-on-reach>

Compatible Parts



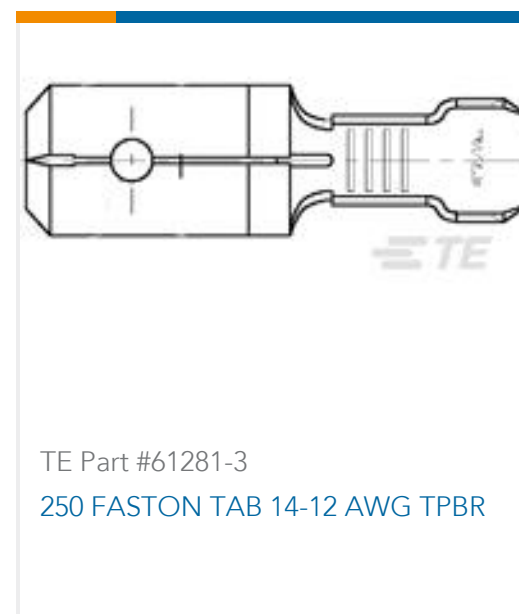
Customers Also Bought



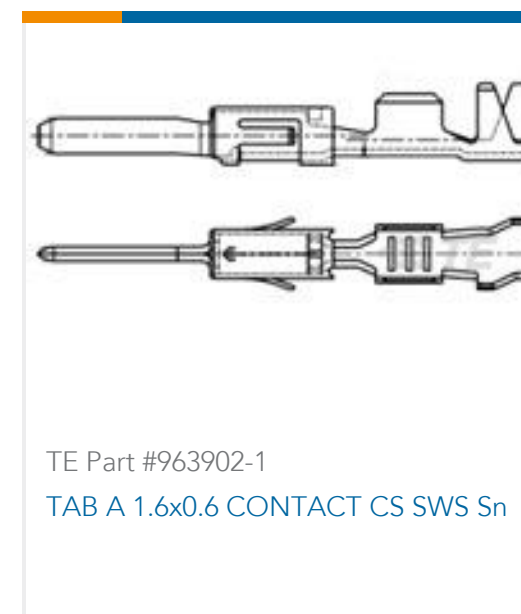
TE Part #1-487545-7
020 HOUSING FFC RCPT 050CL SR



TE Part #770988-3
MINI UMNL SOK 22-18AWG AU LP



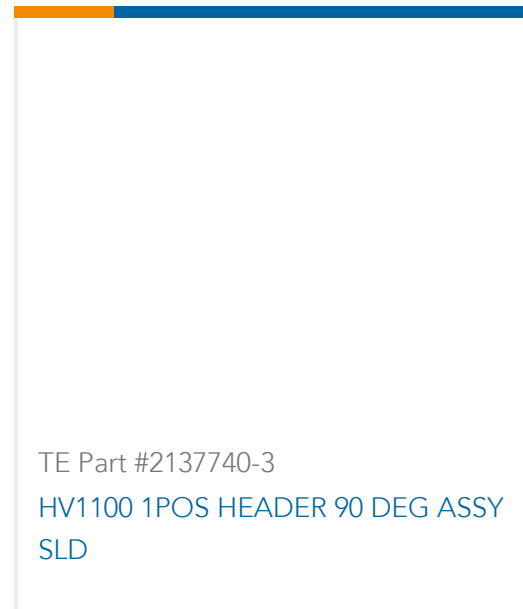
TE Part #61281-3
250 FASTON TAB 14-12 AWG TPBR



TE Part #963902-1
TAB A 1.6x0.6 CONTACT CS SWS Sn



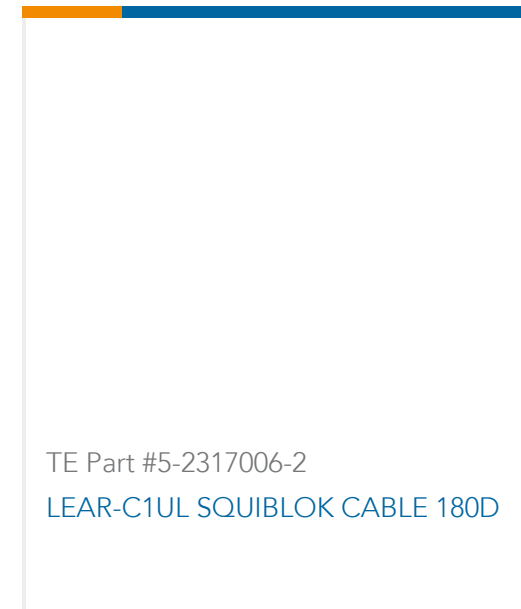
TE Part #1-1801468-1
COVER, ROTATIVE, 3 WAY HP
CONNECTOR



TE Part #2137740-3
HV1100 1POS HEADER 90 DEG ASSY
SLD



TE Part #1976458-1
SPRING, EXT, RATCHET PAWL



TE Part #5-2317006-2
LEAR-C1UL SQUIBLOK CABLE 180D



TE Part #6646860-1
CONN,PIN,RT<,SLDR,FLATPAQ

Documents

Product Drawings

[RING TONGUE 4.0-6.0 MM2 0.81 X 16.25 BR](#)

English

CAD Files

[3D PDF](#)

3D

Customer View Model

[ENG_CVM_CVM_626035-2_E.2d_dxf.zip](#)

English

Customer View Model

[ENG_CVM_CVM_626035-2_E.3d_igs.zip](#)

English

Customer View Model

[ENG_CVM_CVM_626035-2_E.3d_stp.zip](#)

English

By downloading the CAD file I accept and agree to the [Terms and Conditions](#) of use.

Product Specifications



EBGeneral Application Specification for Open Barrel Terminals**

English

Application Specification

English