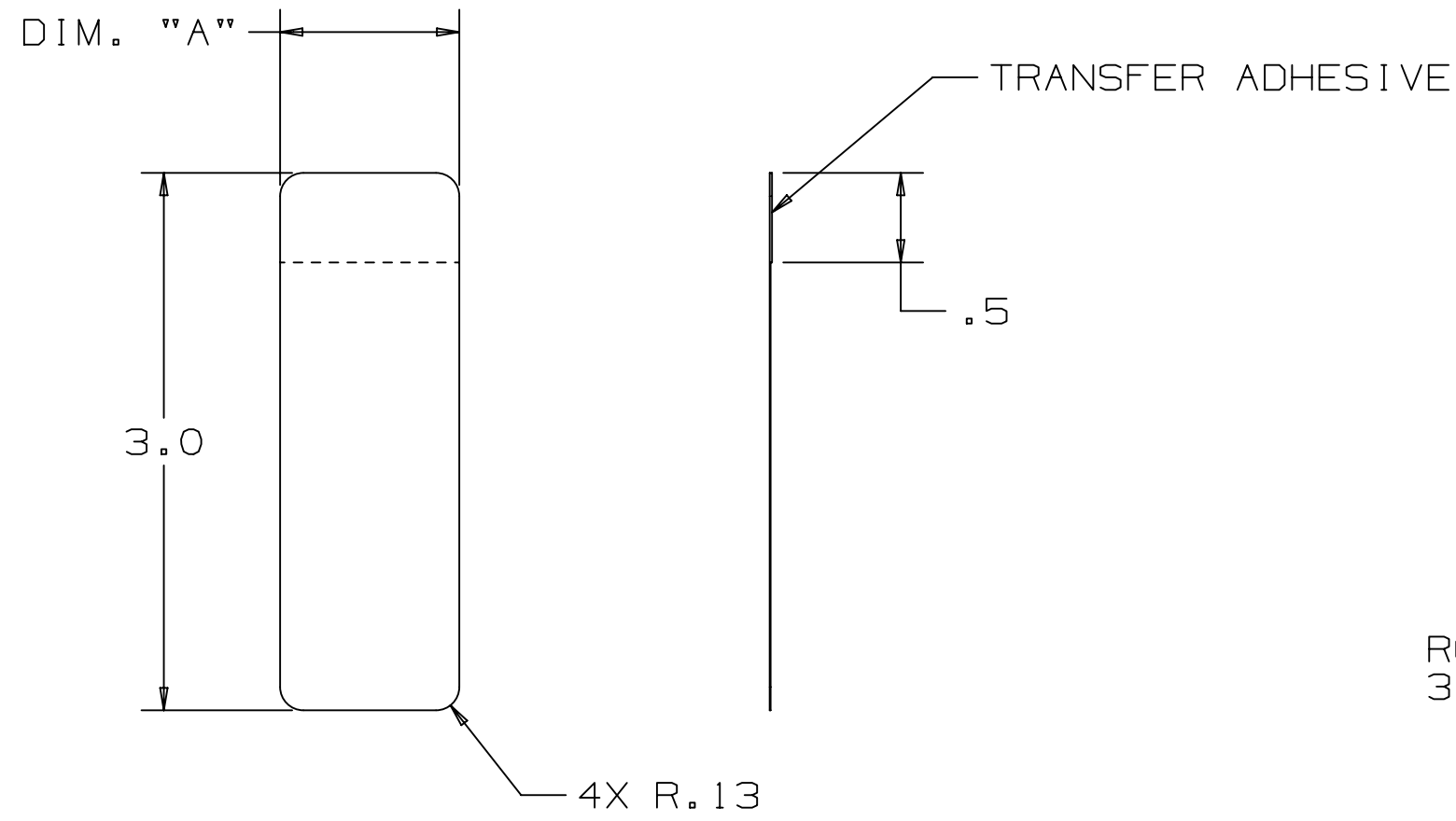


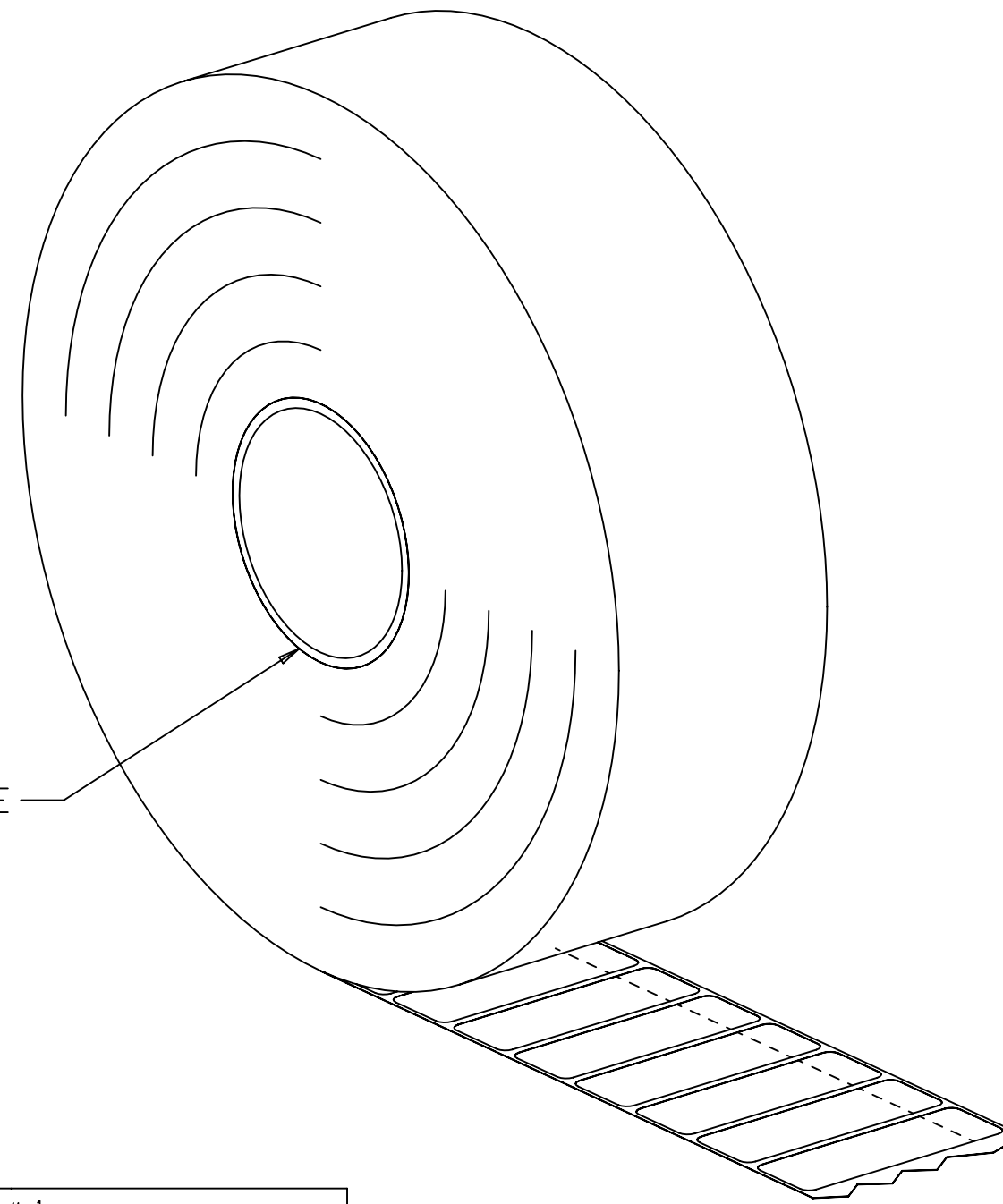
3M™ PULL TAB, 891 SERIES  
SINGLE STRIP ON A ROLL

NOTES

1. 1000 PULL TABS PER ROLL.

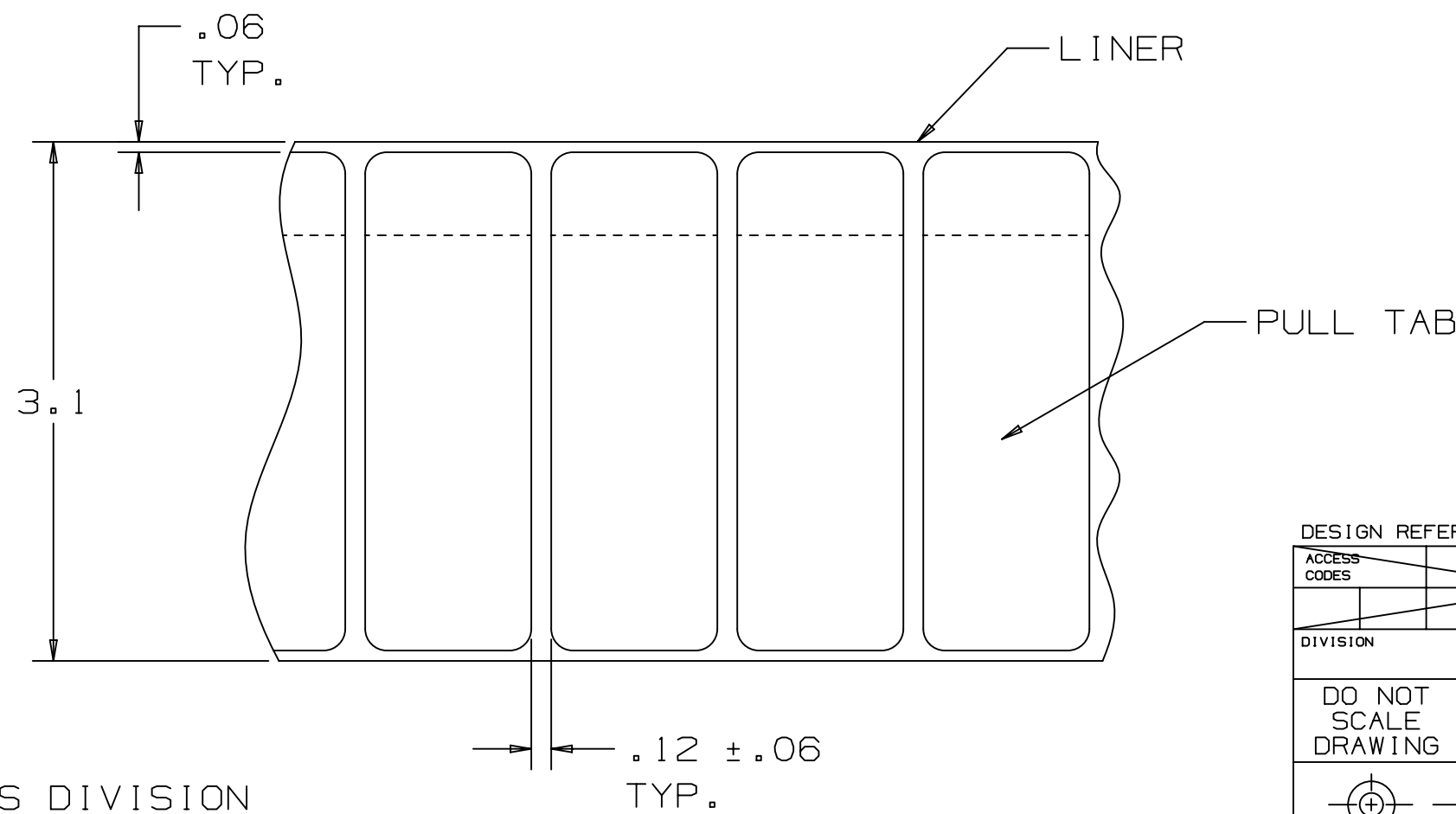


ROLL CORE  
3" DIA.



SINGLE PULL TAB  
WHITE POLYESTER,  
COMPUTER IMPRINTABLE,  
.003" THICK

TABLE #1		
POSITION	DIM. "A"	ORDERING No.
10 - 20	.50	3490-89110
24 - 36	1.00	3490-89124
40 - 60	1.25	3490-89140



STRIP LAYOUT

REV	ECO	ISSUE DATE AND DESCRIPTION	DRFT	CHKD
A	AT1699	APR 01, 2005 PRODUCT RELEASE TO REV A		
B	106239	AUG 10, 2022 REDRAWN TO CURRENT STANDARDS	JNC	FJR
DRFT	CASTIGLIONE	DATE AUG 02, 2022	MFG	DATE
CHKD		DATE	APPVL F. RODRIGUEZ	DATE AUG 02, 2022

DESIGN REFERENCE	NEXT ASSEMBLY
ACCESS CODES	
DIVISION	DIVISION CODE EMSD
DO NOT SCALE DRAWING	SCALE 1/1
THIRD ANGLE PROJECTION	TOLERANCES EXCEPT AS NOTED
INTERPRET PER ASME Y14.5 - 2018	INCHES .0 ± .1 .00 ± .01 .000 ± .005 .0000 ± .0002
MAX SURFACE ROUGHNESS □ ALL SURFACES □ MARKED ONLY	MILLIMETERS 0 ± .0 ± .00 ± .000 ±
	ANGLES ±

		© 3M COPYRIGHT 2022 This document and the information it contains are 3M property and may not be reproduced or further distributed without 3M permission, or used or disclosed other than for 3M authorized purposes. All rights reserved.	
TITLE PULL TAB, SINGLE, STRIP ON A ROLL, 891 SERIES			
CAGE NUMBER	SIZE	DRAWING NO.	REV.
	C	78-5100-0496-9	B
MODEL	DET. LISTS		SHT 1 OF 2
891	<input type="checkbox"/> YES <input checked="" type="checkbox"/> NO		

3M ELECTRONICS MATERIALS SOLUTIONS DIVISION  
INTERCONNECT SOLUTIONS  
<http://www.3M.com/interconnect>

3M IS A TRADEMARK OF 3M COMPANY.  
FOR TECHNICAL, SALES OR ORDERING  
INFORMATION CALL 800-225-5373

78-5100-0496-9  
DRAWING NUMBER

A

# 3M™ PULL TAB, 891 SERIES

## SINGLE STRIP ON A ROLL

**Regulatory:** For regulatory information about this product, visit [3M.com/regs](http://3M.com/regs) or contact your 3M representative.

**Technical Information:** The technical information, guidance, and other statements contained in this document or otherwise provided by 3M are based upon records, tests, or experience that 3M believes to be reliable, but the accuracy, completeness, and representative nature of such information is not guaranteed. Such information is intended for people with knowledge and technical skills sufficient to assess and apply their own informed judgment to the information. No license under any 3M or third party intellectual property rights is granted or implied with this information.

**Product Use:** Many factors beyond 3M's control and uniquely within user's knowledge and control can affect the use and performance of a 3M product in a particular application. As a result, customer is solely responsible for evaluating the product and determining whether it is appropriate and suitable for customer's application, including conducting a workplace hazard assessment and reviewing all applicable regulations and standards (e.g., OSHA, ANSI, etc.). Failure to properly evaluate, select, and use a 3M product in accordance with all applicable instructions and with appropriate safety equipment, or to meet all applicable safety regulations, may result in injury, sickness, death, and/or harm to property.

**Warranty, Limited Remedy, and Disclaimer:** Unless a different warranty is specifically stated on the applicable 3M product packaging or product literature (in which case such warranty governs), 3M warrants that each 3M product meets the applicable 3M product specification at the time 3M ships the product. 3M MAKES NO OTHER WARRANTIES OR CONDITIONS, EXPRESS OR IMPLIED, INCLUDING, BUT NOT LIMITED TO, ANY IMPLIED WARRANTY OR CONDITION OF MERCHANTABILITY, FITNESS FOR A PARTICULAR PURPOSE, OR ANY IMPLIED WARRANTY OR CONDITION ARISING OUT OF A COURSE OF DEALING, CUSTOM, OR USAGE OF TRADE. If a 3M product does not conform to this warranty, then the sole and exclusive remedy is, at 3M's option, replacement or repair of the 3M product or refund of the purchase price.

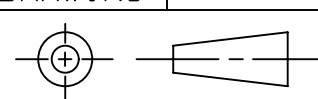
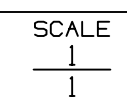
**Limitation of Liability:** Except for the limited remedy stated above, and except to the extent prohibited by applicable law, 3M will not be liable for any loss or damage arising from or related to the 3M product, whether direct, indirect, special, incidental, or consequential (including, but not limited to, lost profits or business opportunity), regardless of the legal or equitable theory asserted, including, but not limited to, warranty, contract, negligence, or strict liability.

**Disclaimer:** For industrial use only. Not intended, labeled or packaged for consumer sale or use.

3M Company  
 Electronics Materials Solutions Division  
 13011 McCallen Pass, Bldg. C  
 Austin, TX 78753-5380  
 1-800-225-5373  
[www.3M.com/interconnect](http://www.3M.com/interconnect)

3M ELECTRONICS MATERIALS SOLUTIONS DIVISION  
 INTERCONNECT SOLUTIONS  
<http://www.3M.com/interconnect>

3M IS A TRADEMARK OF 3M COMPANY.  
 FOR TECHNICAL, SALES OR ORDERING  
 INFORMATION CALL 800-225-5373

DESIGN REFERENCE		NEXT ASSEMBLY		REV	ECO	ISSUE DATE AND DESCRIPTION		DRFT	CHKD
ACCESS CODES				DRFT	CATIGLIONE	DATE	AUG 02, 2022	MFG	DATE
DIVISION		DIVISION CODE		CHKD		DATE		APPVL	DATE
DO NOT SCALE DRAWING		SCALE 1/1		TOLERANCES EXCEPT AS NOTED		INCHES		MILLIMETERS	
THIRD ANGLE PROJECTION		INTERPRET PER ASME Y14.5 - 2018		MAX SURFACE ROUGHNESS		ALL SURFACES		MARKED ONLY	
				.0 ± .1 .00 ± .01 .000 ± .005 .0000 ± .0002		0 ± .0 ± .00 ± .000 ±		ANGLES ±	
© 3M COPYRIGHT 2022 This document and the information it contains are 3M property and may not be reproduced or further distributed without 3M permission, or used or disclosed other than for 3M authorized purposes. All rights reserved.		TITLE PULL TAB, SINGLE, STRIP ON A ROLL, 891 SERIES		CAGE NUMBER	SIZE	DRAWING NO.		REV.	
				MODEL	891	78-5100-0496-9		B	
				DET. LISTS		YES NO		SHT 2 OF 2	

78-5100-0496-9  
DRAWING NUMBER

A