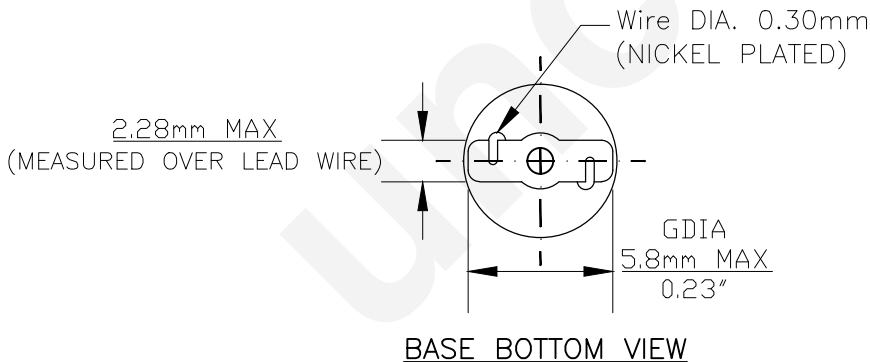
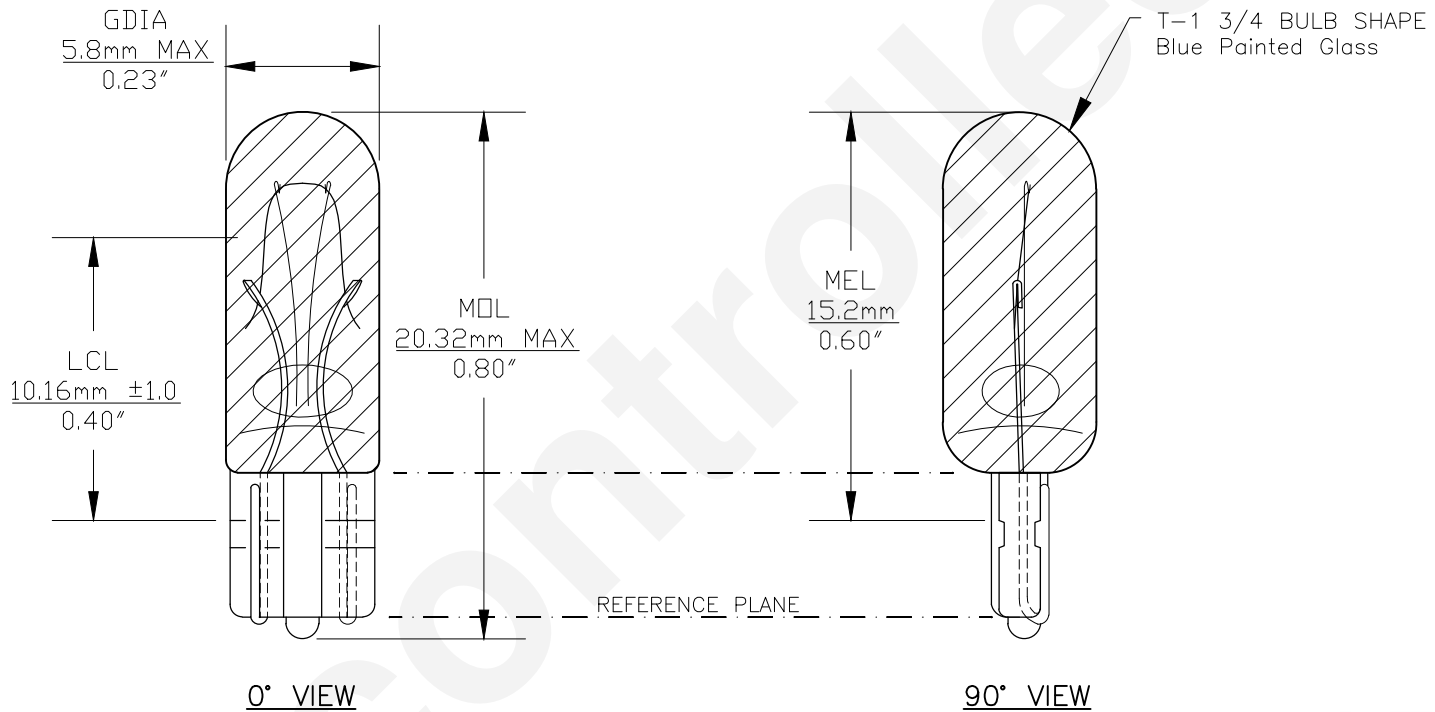




| PART NO. | BASE TYPE | DESIGN VOLTS | DESIGN AMPS | MSCD | FILAMENT TYPE | AVERAGE LIFE HOURS | REVISIONS | | | |
|----------|-------------------------------------|--------------|-------------|---------|---------------|--------------------|-----------|-------------|------------|----------|
| | | | | | | | REV # | DESCRIPTION | DATE | APPROVED |
| 73B | Sub-miniature Glass Wedge (T-1 3/4) | 14.0V | 0.08±15% | 0.3±30% | C-2F | 15,000 | 1 | ISSUED | 06/05/2014 | R.M. |
| | | | | | | | | | | |
| | | | | | | | | | | |



Note: Made according to SAE specifications



| | | | | | |
|---|---------|--------------------------|----------|------------------------|--------------|
| UNLESS OTHERWISE SPECIFIED: DIMENSIONS ARE IN INCHES TOLERANCES | | CEC INDUSTRIES LTD | | | |
| DECIMALS | ANGULAR | 599 BOND STREET | | LINCOLNSHIRE, IL 60069 | |
| .XX ± .05 | ± 0.5° | TITLE LIGHT BULB NO. 73B | | | |
| .XXX ± .010 | | SIZE A | FSCM NO. | DWG NO. 73B | REV 1 |
| FRACTIONAL | ± 1/64 | SCALE | | PLOT SCALE | SHEET 1 OF 1 |
| DRAWN ROSE MEDINA | | DATE 06/05/2014 | | MATERIAL | |
| CHECKED | | FILE 73B.pdf | | DRAWING NOT TO SCALE | |