



LAYOUT SHOWN AS EXAMPLE

Keying Shown as example

**CHARACTERISTICS**

- Standard : Based on MIL-DTL-38999 Series III
- Shell Material : Stainless Steel
- Shell Plating : Passivated
- Insulator : Thermoplastic
- Contacts : Copper Alloy
- Seals & Grommet : Silicon Elastomer
- Contact Plating : Gold over copper Alloy 0.8µm minimum
- Durability : 500 Mating cycles
- Delivered with Souriau contacts and Accessories
- Temperature Range : -65°C to +200°C
- Salt Spray : 500 hours
- Mass : 55.57 g ± 10%

| Connector dimension |               |
|---------------------|---------------|
| Dim                 | Nominal       |
| P                   | 3.25±0.2      |
| PP                  | 4.39±0.2      |
| R1                  | 24.61         |
| R2                  | 23.01         |
| S                   | 31±0.3        |
| V                   | 20.83+0/-1.25 |
| W                   | 2.1/2.5       |
| Z                   | 31.5 Max      |
| VV THREAD           | M22x1-6g      |

SOURIAU shall not be liable for any non-conformity or damage due to a use of the Products which does not comply with the Specifications issued by either of the Parties or by a third party (professional recommendation, technical notice.)

|         |                             |
|---------|-----------------------------|
| Country | Jurisdiction & Control List |
| FR      | Not Listed                  |

**PN: 8D015K35SC**

|                |   |                                |   |
|----------------|---|--------------------------------|---|
| A              | 12-10-2016                                  | First Release                  |   |
| ISS            | DATE  | Latest modification - by       | MOD N°  |
| Designed By:   |   | Date:                          | <b>CUSTOMER DRAWING</b>   |
| <b>TITLE</b>   | <b>Stainless Steel Receptacle 8D series</b> |                                |   |
| SCALE          | NA  | General linear Tolerances: ±-- | NPRDS / PROJECT<br><b>859</b>   |
| <b>SOURIAU</b> | <b>WWW.SOURIAU.COM</b>                      |                                | This document is the property of SOURIAU it must not be reproduced or communicated without permission |
| FORMAT         | <b>SOURIAU DRG N° 8D015K35SC-C</b>          |                                | SHEET<br>1/2  |

BASIC SERIES: 8D 0 - 15 K 35 S C

SHELL TYPE : Square Flange Receptacle

CONTACT TYPE : Standard Crimp Contact

SHELL SIZE : 15

PLATING : K = Passivated

ORIENTATION : C

CONTACT TYPE : SOCKET(500 Matings)

CONTACT LAYOUT : 15-35

Contact Layout

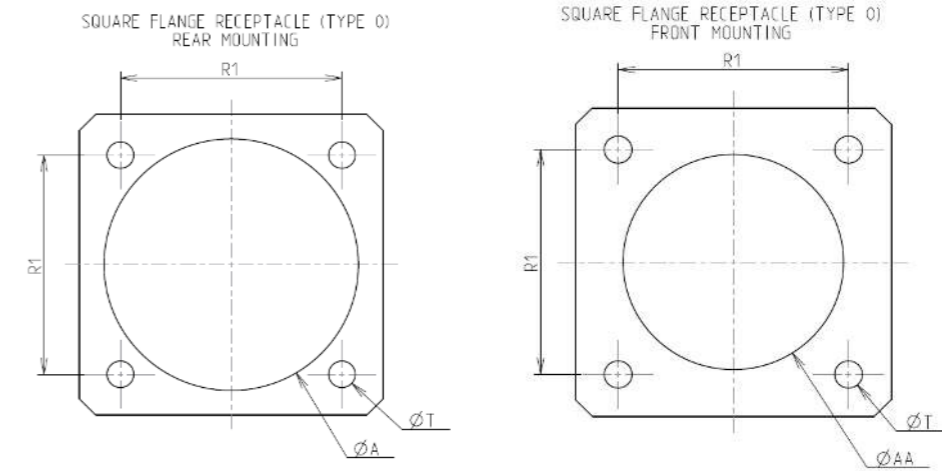


| Contacts<br>(Insert arrangement 15-35) |             |             |                     |             |             |
|--|-------------|-------------|---------------------|-------------|-------------|
| Contact position ID                    | Location    |             | Contact position ID | Location    |             |
|  | X-axis (mm) | Y-axis (mm) |                     | X-axis (mm) | Y-axis (mm) |
| 1                                      | +045 (1.14) | +262 (6.65) | 20                  | +123 (3.12) | +119 (3.02) |
| 2                                      | +123 (3.12) | +217 (5.51) | 21                  | +170 (4.32) | +040 (1.02) |
| 3                                      | +211 (5.36) | +160 (4.06) | 22                  | +170 (4.32) | -050 (1.27) |
| 4                                      | +254 (6.45) | +080 (2.03) | 23                  | +123 (3.12) | -127 (3.23) |
| 5                                      | -200 (0.70) | -010 (2.5)  | 24                  | -045 (1.14) | -172 (4.37) |
| 6                                      | +247 (6.27) | -098 (2.49) | 25                  | -045 (1.14) | -127 (4.37) |
| 7                                      | +200 (5.08) | -175 (4.45) | 26                  | -123 (3.12) | -127 (3.23) |
| 8                                      | +130 (3.30) | -232 (5.89) | 27                  | -170 (4.32) | -050 (1.27) |
| 9                                      | +045 (1.14) | -262 (6.65) | 28                  | -170 (4.32) | +040 (1.02) |
| 10                                     | -045 (1.14) | -262 (6.65) | 29                  | -123 (3.12) | +119 (3.02) |
| 11                                     | -130 (3.30) | -232 (5.89) | 30                  | -045 (1.14) | +172 (4.37) |
| 12                                     | -200 (5.08) | -175 (4.45) | 31                  | +045 (1.14) | +074 (1.88) |
| 13                                     | -247 (6.27) | -098 (2.49) | 32                  | +090 (2.29) | -004 (0.10) |
| 14                                     | -266 (6.76) | -010 (2.5)  | 33                  | +045 (1.14) | -082 (2.08) |
| 15                                     | -254 (6.45) | +080 (2.03) | 34                  | -045 (1.14) | -082 (2.08) |
| 16                                     | -211 (5.36) | +160 (4.06) | 35                  | -090 (2.29) | -004 (0.10) |
| 17                                     | -123 (3.12) | +217 (5.51) | 36                  | -045 (1.14) | +074 (1.88) |
| 18                                     | -045 (1.14) | +262 (6.65) | 37                  | +000 (0.00) | -004 (0.10) |
| 19                                     | +045 (1.14) | +172 (4.37) |                     |             |             |

(Applicable to MIL-DTL-38999 only)

| Shell size | Arrangement no. | Number of contacts | Size contacts | Service rating | Contact location | Supersedes |
|------------|-----------------|--------------------|---------------|----------------|------------------|------------|
| 15         | -35             | 37                 | 22D           | M              | All              | MS27528-35 |

Panel Cutout



| Dim | Nominal    |
|-----|------------|
| ØA  | 26.59 min  |
| ØAA | 23.01 min  |
| R1  | 24.61      |
| ØT  | 3.25 ±0.13 |

SOURIAU shall not be liable for any non-conformity or damage due to a use of the Products which does not comply with the Specifications issued by either of the Parties or by a third party (professional recommendation, technical notice.)

| Country | Jurisdiction & Control List |
|---------|-----------------------------|
| FR      | Not Listed                  |

PN: 8D015K35SC

|                |   |                            |   |
|----------------|---|----------------------------|---|
| A              | 12-10-2016                                  | First Release              |   |
| ISS            | DATE  | Latest modification - by   | MOD N°  |
| Designed By:   |   | Date:                      | <b>CUSTOMER DRAWING</b>   |
| <b>TITLE</b>   | <b>Stainless Steel Receptacle 8D series</b> |                            |   |
| SCALE          |   | General linear Tolerances: | NPRDS / PROJECT   |
| NA             |   | ±--                        | <b>859</b>  |
| <b>SOURIAU</b> | <b>WWW.SOURIAU.COM</b>                      |                            | This document is the property of SOURIAU it must not be reproduced or communicated without permission |
| FORMAT         | <b>SOURIAU DRG N° 8D015K35SC-C</b>          |                            | SHEET 2/2   |