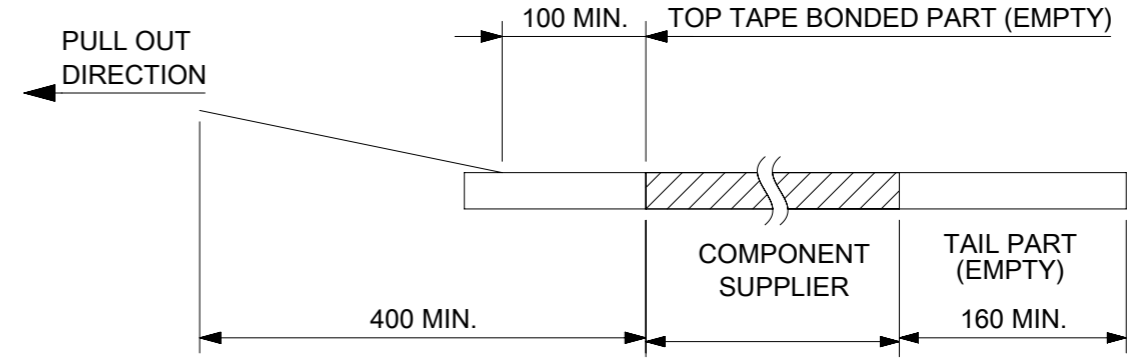
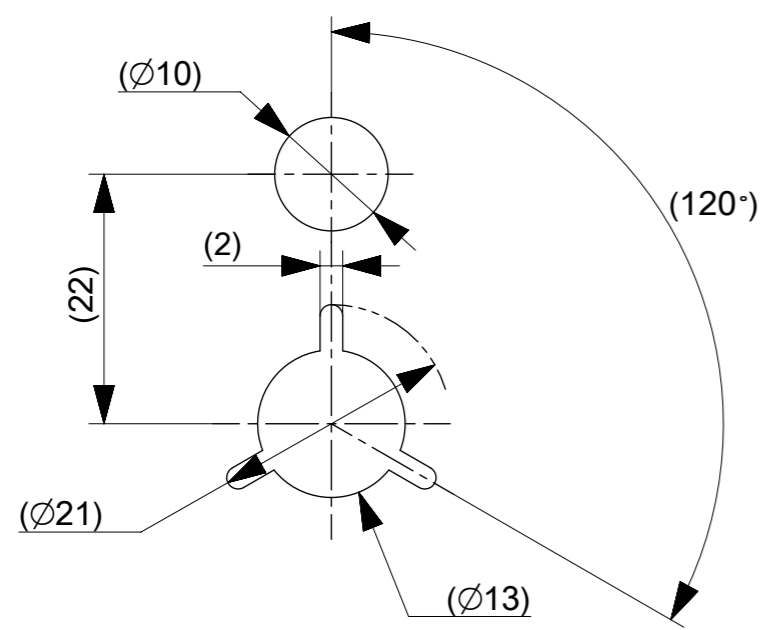


NOTES

1. FOR DIMENSION OF PRODUCT, REFER TO PRODUCT DRAWING.
2. NUMBER OF CONNECTORS : 7000PCS/REEL
3. LEAD TAPE LENGTH



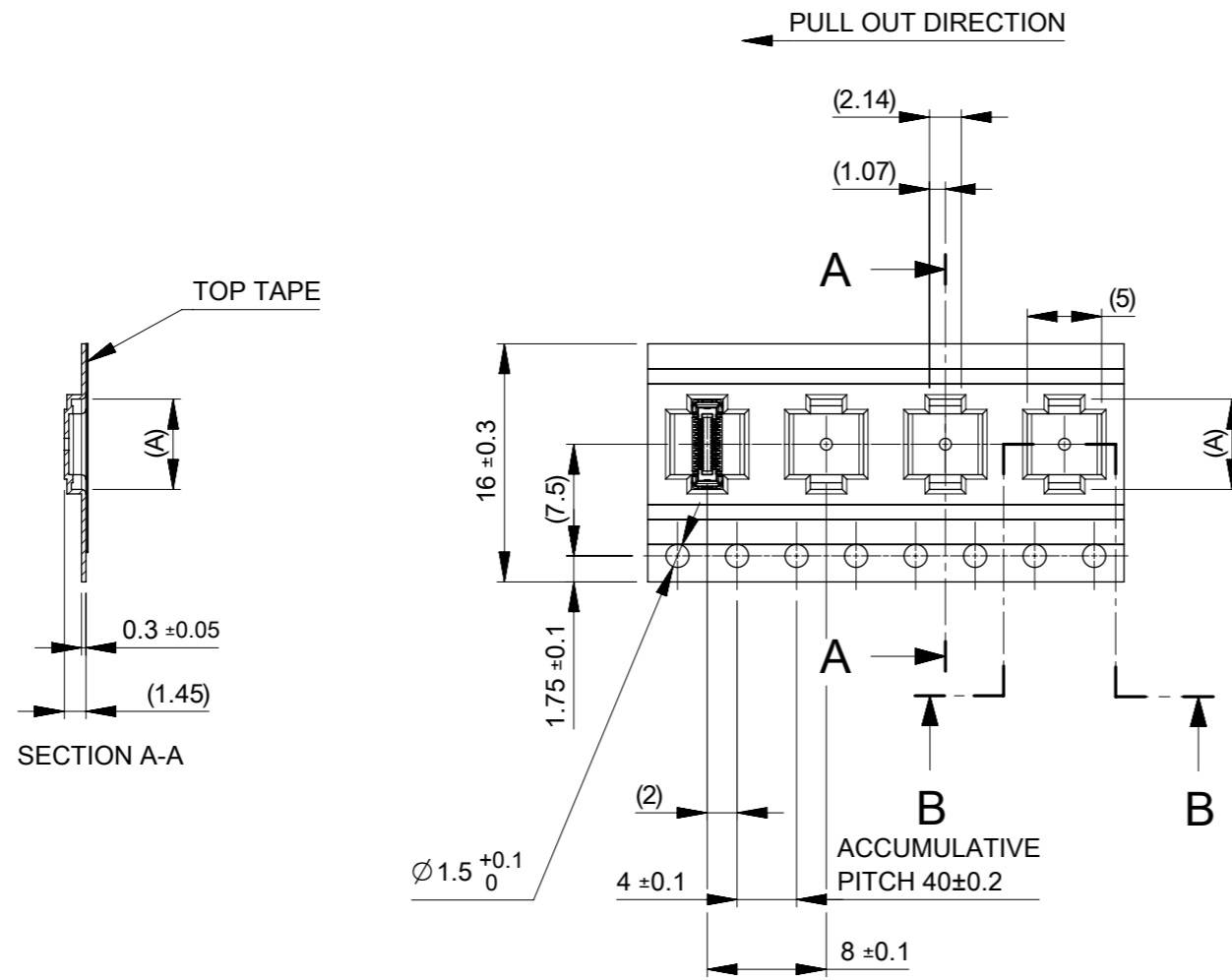
4. TOP TAPE PEEL FORCE IS DEFINED BY IEC60286-3.
5. MATERIAL  
 CARRIER TAPE : POLYSTYRENE  
 TOP TAPE : PET , OTHER  
 REEL : POLYSTYRENE (PS) < RECYCLE MATERIAL CONTAINED >



DETAIL "D"

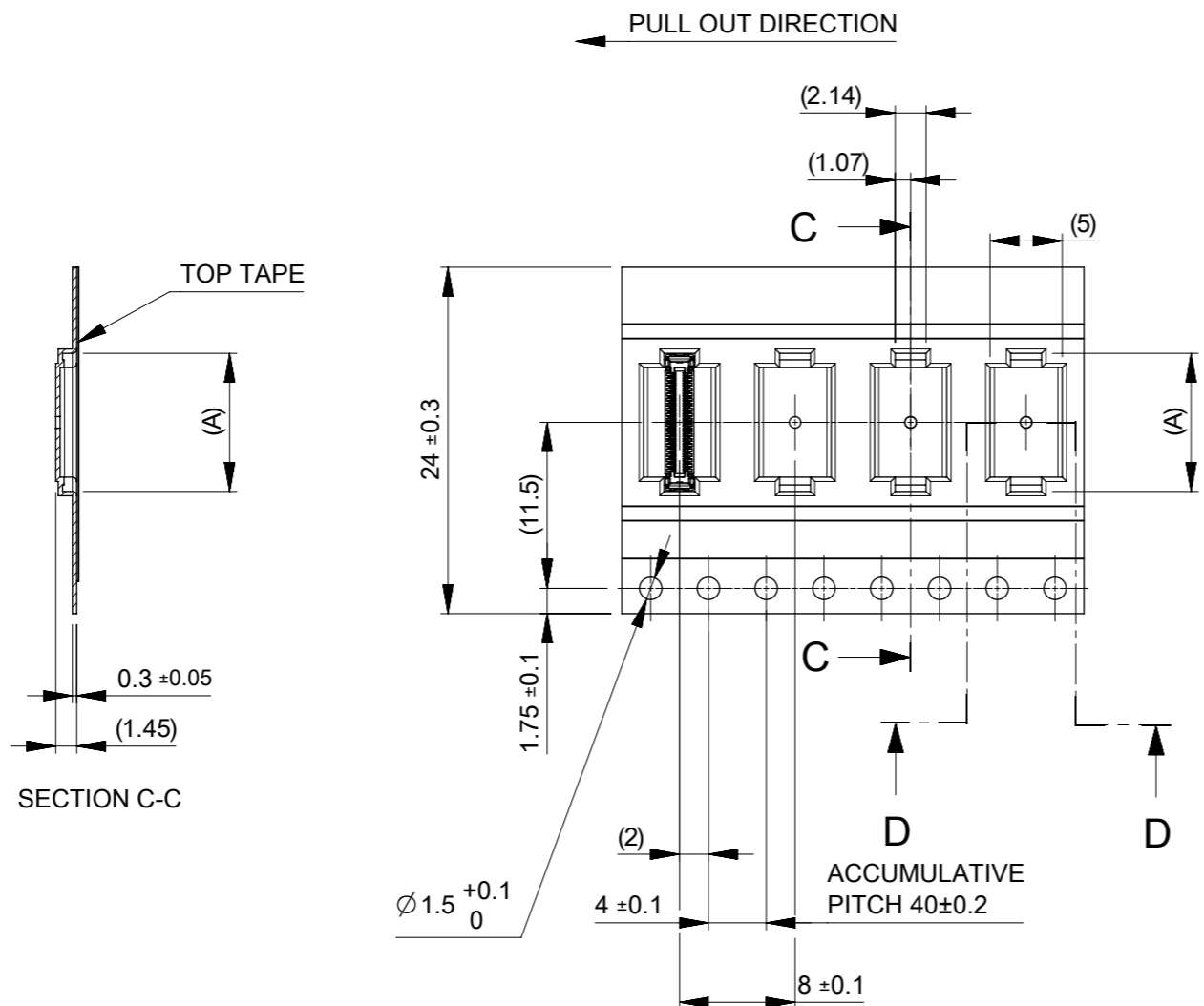
CONNECTOR SERIES NO. 505270\*\*09

THIS DRAWING CONTAINS INFORMATION THAT IS PROPRIETARY TO MOLEX ELECTRONIC TECHNOLOGIES, LLC AND SHOULD NOT BE USED WITHOUT WRITTEN PERMISSION									
DIMENSION UNITS	SCALE	CURRENT REV DESC: REMOVED OBSOLETE PART NUMBER AS PER PCN#509450.							
mm	NTS	<b>molex</b>  0.35 BB H=0.8 SSB8RP REC EMBSTP PKG  PRODUCT CUSTOMER DRAWING							
GENERAL TOLERANCES (UNLESS SPECIFIED)									
ANGULAR TOL	± 3.0 °								
4 PLACES	± 0.03								
3 PLACES	± 0.03								
2 PLACES	± 0.05	EC NO: 694111	2022/02/02		DOCUMENT NUMBER: 5052700001-SD DOC TYPE: PSD DOC PART: 000 REVISION: A1				
1 PLACE	± 0.1	DRWN: FSATO	2017/10/18						
0 PLACES	± 0.2	CHK'D: GGA	2022/03/31						
		APPR: MSASAO	2022/03/31						
		INITIAL REVISION:							
DRAFT WHERE APPLICABLE MUST REMAIN WITHIN DIMENSIONS		THIRD ANGLE PROJECTION	DRAWING	SERIES	MATERIAL NUMBER	CUSTOMER	SHEET NUMBER		
			A3-SIZE	505270	SEE CHART	GENERAL	1 OF 3		



16	21.4	17.4	7.82	5052703012	○	---	30
			6.77	5052702412	○	---	24
			6.07	5052702012	○	---	20
			5.37	5052701612	○	---	16
			4.32	5052701012	○	---	10
			3.62	5052700612	○	---	6
キャリアテープ幅 CARRIER TAPE WIDTH	C	B	(A)	EMBOSSSED TAPE PACKAGE	HIGH VOL. TOOL	LOW VOL. TOOL	CIRCUIT
ORDER NO.	SAMPLE PREPARATION ○:TOOLED △:WOOK IN PROCESS ---:TOOLING TO BE CONFIRMED						

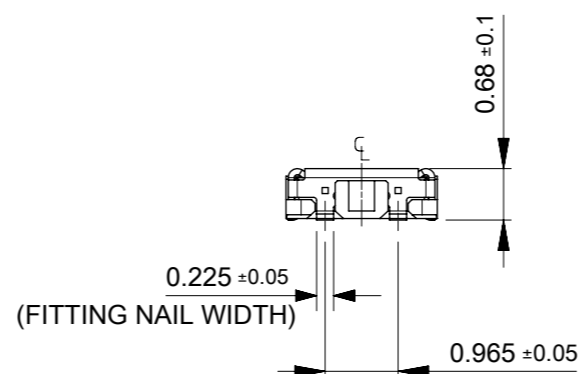
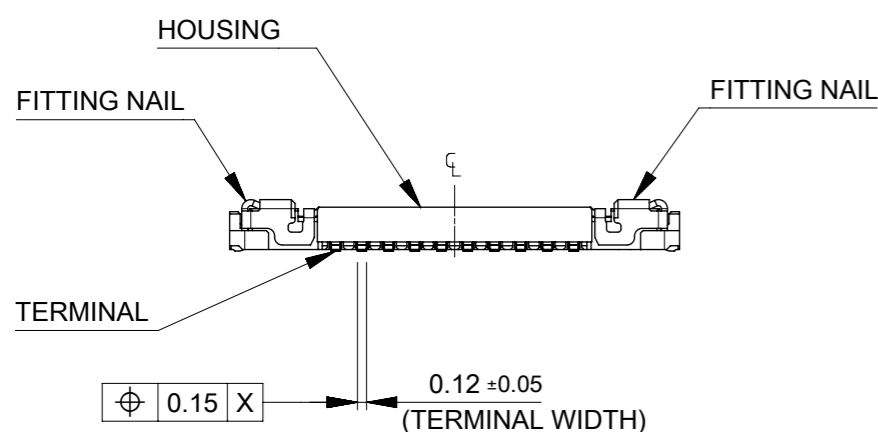
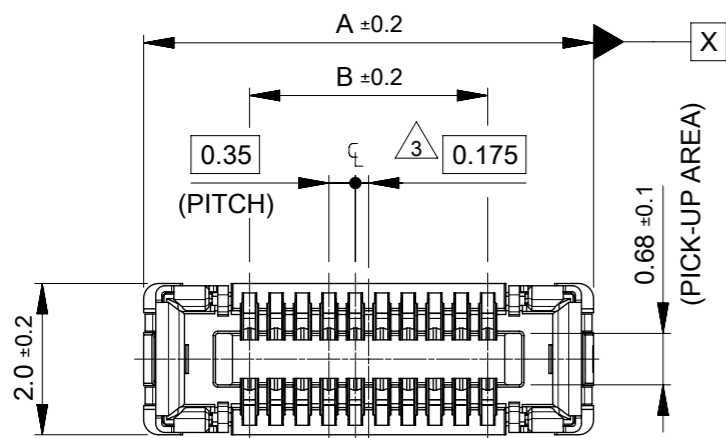
THIS DRAWING CONTAINS INFORMATION THAT IS PROPRIETARY TO MOLEX ELECTRONIC TECHNOLOGIES, LLC AND SHOULD NOT BE USED WITHOUT WRITTEN PERMISSION												
DIMENSION UNITS	SCALE	CURRENT REV DESC: REMOVED OBSOLETE PART NUMBER AS PER PCN#509450.										
mm	NTS											
GENERAL TOLERANCES (UNLESS SPECIFIED)												
ANGULAR TOL	± 3.0 °	<b>0.35 BB H=0.8 SSB8RP REC EMBSTP PKG</b>  <b>PRODUCT CUSTOMER DRAWING</b>										
4 PLACES	± 0.03											
3 PLACES	± 0.03											
2 PLACES	± 0.05											
1 PLACE	± 0.1											
0 PLACES	± 0.2	EC NO: 694111 DRWN: FSATO APPR: MSASAO 2017/10/18 2017/11/02			2022/02/02 2022/03/31 2022/03/31		DOCUMENT NUMBER <b>5052700001-SD</b>			DOC TYPE PSD	DOC PART 000	REVISION A1
DRAFT WHERE APPLICABLE MUST REMAIN WITHIN DIMENSIONS	THIRD ANGLE PROJECTION	DRAWING	SERIES	MATERIAL NUMBER	CUSTOMER		SHEET NUMBER					
		A3-SIZE	505270	SEE CHART	GENERAL		2 OF 3					



24	29.4	25.4	12.02	5052705412	○	---	54
			9.57	5052704012	○	---	40
			8.52	5052703412	○	---	34
キャリアテープ幅 CARRIER TAPE WIDTH	C	B	(A)	EMBOSSED TAPE PACKAGE ----- ORDER NO.	HIGH VOL. TOOL	LOW VOL. TOOL	CIRCUIT
				SAMPLE PREPARATION ○:TOOLED △:WORK IN PROCESS ---:TOOLING TO BE CONFIRMED			

THIS DRAWING CONTAINS INFORMATION THAT IS PROPRIETARY TO MOLEX ELECTRONIC TECHNOLOGIES, LLC AND SHOULD NOT BE USED WITHOUT WRITTEN PERMISSION

DIMENSION UNITS <b>mm</b>	SCALE <b>NTS</b>	CURRENT REV DESC: REMOVED OBSOLETE PART NUMBER AS PER PCN#509450.	<b>molex</b>			
GENERAL TOLERANCES (UNLESS SPECIFIED)						
ANGULAR TOL	± 3.0 °		0.35 BB H=0.8 SSB8RP REC EMBSTP PKG			
4 PLACES	± 0.03	EC NO: 694111	PRODUCT CUSTOMER DRAWING			
3 PLACES	± 0.03	DRWN: SANTHN 2022/02/02				
2 PLACES	± 0.05	CHK'D: GGA 2022/03/31	DOCUMENT NUMBER <b>5052700001-SD</b>			
1 PLACE	± 0.1	APPR: GGA 2022/03/31				
0 PLACES	± 0.2	INITIAL REVISION: DRWN: FSATO 2017/10/18 APPR: MSASAO 2017/11/02	DOC TYPE PSD	DOC PART 000	REVISION A1	
DRAFT WHERE APPLICABLE MUST REMAIN WITHIN DIMENSIONS	THIRD ANGLE PROJECTION	DRAWING A3-SIZE	SERIES 505270	MATERIAL NUMBER SEE CHART	CUSTOMER GENERAL	SHEET NUMBER 3 OF 3



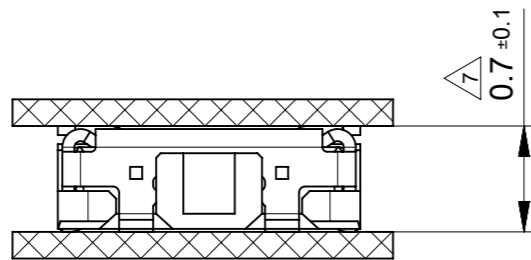
**NOTES**

1. MATERIAL  
HOUSING : LIQUID CRYSTAL POLYMER UL94V-0(COLOR : BLACK)  
TERMINAL : COPPER ALLOY  
FITTING NAIL : COPPER ALLOY
2. PLATING  
TERMINAL :  
GOLD  
UNDER PLATING : NICKEL  
\*DIVIDE INTO PARTS THE GOLD PLATING OF THE CONTACT AND THE TAIL PART BY THE NICKEL PLATING.  
FITTING NAIL :  
GOLD(ONLY CONTACT AND TAIL PART)  
UNDER PLATING : NICKEL
3. APPLY FOR (CIRCUIT/2)=EVEN
4. MATE WITH : 505070\*\*22/\*\*42 (H=0.7) , 505274\*\*12/\*\*42 (H=0.8)
5. TAIL AND FITTING NAIL COPLANARITY TO BE 0.08MAXIMUM.
6. PROHIBITED AREA OF PATTERN WIRING AND SOLDER.  
(FOR EACH AREA, THE WIRING THAT TOUCHES ON THE SOLDER CAN BE ATTACHED, THEN COVERED WITH A FILM TO KEEP SOLDER OUT.)
7. THIS DIMENSION SHOWS THE DIMENSION BETWEEN SOLDERING SURFACE OF SOLDER TAILS.

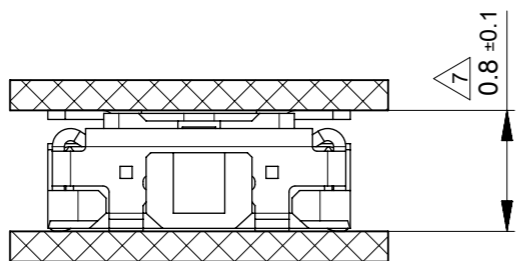
9.1	11.9	5052705412	○	---	54
6.65	9.45	5052704012	○	---	40
5.6	8.4	5052703412	○	---	34
4.9	7.7	5052703012	○	---	30
3.85	6.65	5052702412	○	---	24
3.15	5.95	5052702012	○	---	20
2.45	5.25	5052701612	○	---	16
1.4	4.2	5052701012	○	---	10
0.7	3.5	5052700612	○	---	6

B	A	EMBOSSED TAPE PACKAGE	MASS PRODUCTION	LOW VOL.TOOL	CIRCUIT
		ORDER No.	SMAPLE PREPARATION ○:TOOLED △:WORK IN PROCESS ---:TOOLING TO BE CONFIRMED		
		CONNECTOR SERIES No. : 505270**09			

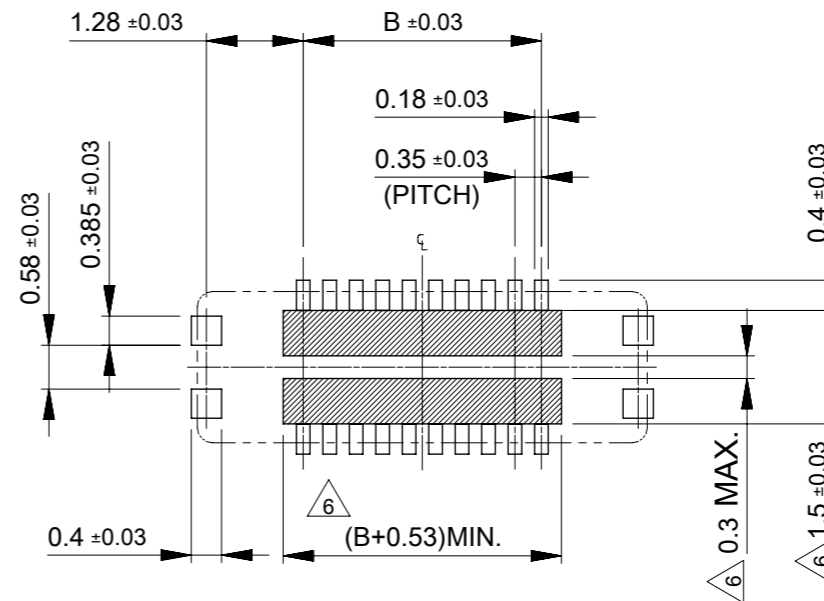
THIS DRAWING CONTAINS INFORMATION THAT IS PROPRIETARY TO MOLEX ELECTRONIC TECHNOLOGIES, LLC AND SHOULD NOT BE USED WITHOUT WRITTEN PERMISSION					
DIMENSION UNITS	SCALE	CURRENT REV DESC: REMOVED OBSOLETE PART NUMBER AS PER PCN#509450.			
mm	10:1				
GENERAL TOLERANCES (UNLESS SPECIFIED)					
ANGULAR TOL	± 3.0 °	<b>0.35 BB CONN. H=0.8 SSB8RP REC. ASSY</b>			
4 PLACES	± 0.03				
3 PLACES	± 0.03	<b>PRODUCT CUSTOMER DRAWING</b>			
2 PLACES	± 0.05				
1 PLACE	± 0.1	EC NO: 694111		2022/02/02	
0 PLACES	± 0.2	DRWN: FSATO		2017/10/18	
DRAFT WHERE APPLICABLE MUST REMAIN WITHIN DIMENSIONS		APP: MSASAO		2017/11/02	
THIRD ANGLE PROJECTION		DRAWING	SERIES	MATERIAL NUMBER	CUSTOMER
		A3-SIZE	505270	SEE CHART	GENERAL
DOCUMENT NUMBER		DOC TYPE	DOC PART	REVISION	
5052701001-SD		PSD	000	B1	
SHEET NUMBER		1 OF 2			



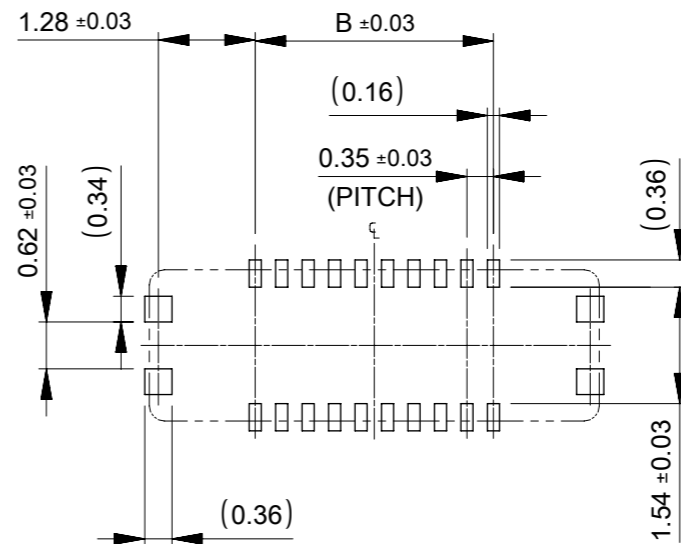
MATED CONDITION (505270/505070)



MATED CONDITION (505270/505274)




RECOMMENDED P.W.BOARD PATTERN LAYOUT (REFERENCE)



RECOMMENDED METAL MASK LAYOUT (REFERENCE)

RECOMMENDED THICKNESS OF METAL MASK : t=0.08mm  
 RECOMMENDED OPEN APERTURE RATIO OF METAL MASK : 80%

THIS DRAWING CONTAINS INFORMATION THAT IS PROPRIETARY TO MOLEX ELECTRONIC TECHNOLOGIES, LLC AND SHOULD NOT BE USED WITHOUT WRITTEN PERMISSION									
DIMENSION UNITS	SCALE	CURRENT REV DESC: REMOVED OBSOLETE PART NUMBER AS PER PCN#509450.							
mm	10:1	 0.35 BB CONN. H=0.8 SSB8RP REC. ASSY							
GENERAL TOLERANCES (UNLESS SPECIFIED)									
ANGULAR TOL	± 3.0 °	PRODUCT CUSTOMER DRAWING							
4 PLACES	± 0.03	EC NO: 694111	2022/02/02	DOCUMENT NUMBER					
3 PLACES	± 0.03	DRWN: SANTHN	2022/03/31	DOC TYPE					
2 PLACES	± 0.05	CHK'D: GGA	2022/03/31	DOC PART					
1 PLACE	± 0.1	APPR: GGA	2022/03/31	REVISION					
0 PLACES	± 0.2	INITIAL REVISION:		5052701001-SD					
DRAFT WHERE APPLICABLE MUST REMAIN WITHIN DIMENSIONS		DRWN: FSATO	2017/10/18	SEE CHART					
THIRD ANGLE PROJECTION		APPR: MSASAO	2017/11/02	GENERAL					
DRAWING		SERIES		MATERIAL NUMBER		CUSTOMER		SHEET NUMBER	
A3-SIZE		505270		SEE CHART		GENERAL		2 OF 2	